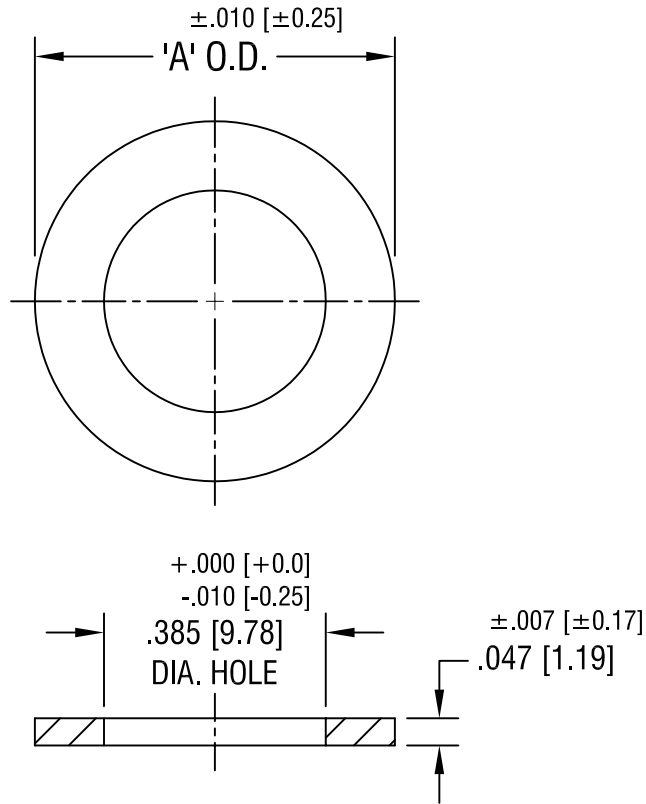


THIS DOCUMENT IS THE PROPERTY OF  
KEYSTONE ELECTRONICS CORP. AND  
SHALL NOT BE REPRODUCED, DISTRIBUTED  
OR USED AS A BASIS FOR MANUFACTURE  
WITHOUT PRIOR WRITTEN PERMISSION  
FROM KEYSTONE ELECTRONICS CORP.



| 'A' O.D. DIM. | MAT'L: FIBRE | MAT'L: NYLON |
|---------------|--------------|--------------|
| .500 [12.70]  | 3186         | 3190         |
| .625 [15.87]  | 3187         | 3191         |
| .750 [19.05]  | 3188         | 3192         |
| 1.000 [25.40] | 3189         | 3193         |

**KEYSTONE ELECTRONICS CORP.**

ASTORIA, N.Y. 11105-2017

|                            |               |                |       |             |         |
|----------------------------|---------------|----------------|-------|-------------|---------|
| PART NAME                  |               |                |       | FLAT WASHER |         |
| MATERIAL                   |               |                |       | AS NOTED    |         |
| FINISH                     |               | DRN BY         | BOONE | DATE        | 8.23.82 |
| -                          |               | APP'D          | LN    | SCALE       | 3X      |
| TOLERANCES                 | INCH          | [MM]           | CODE  | DWG NO.     |         |
| DECIMAL                    | $\pm .005$    | [ $\pm 0.15$ ] | C/M   | 3186-3193   |         |
| ANGULAR                    | $\pm 1^\circ$ |                |       |             |         |
| UNLESS OTHERWISE SPECIFIED |               |                |       |             |         |

9.15.94 | CHANGE AS PER ECR 94-053 | A

| DATE    | DESCRIPTION              | REV. |
|---------|--------------------------|------|
| 9.15.94 | CHANGE AS PER ECR 94-053 | A    |

# Mouser Electronics

Authorized Distributor

Click to View Pricing, Inventory, Delivery & Lifecycle Information:

[Keystone Electronics:](#)

[3186](#)