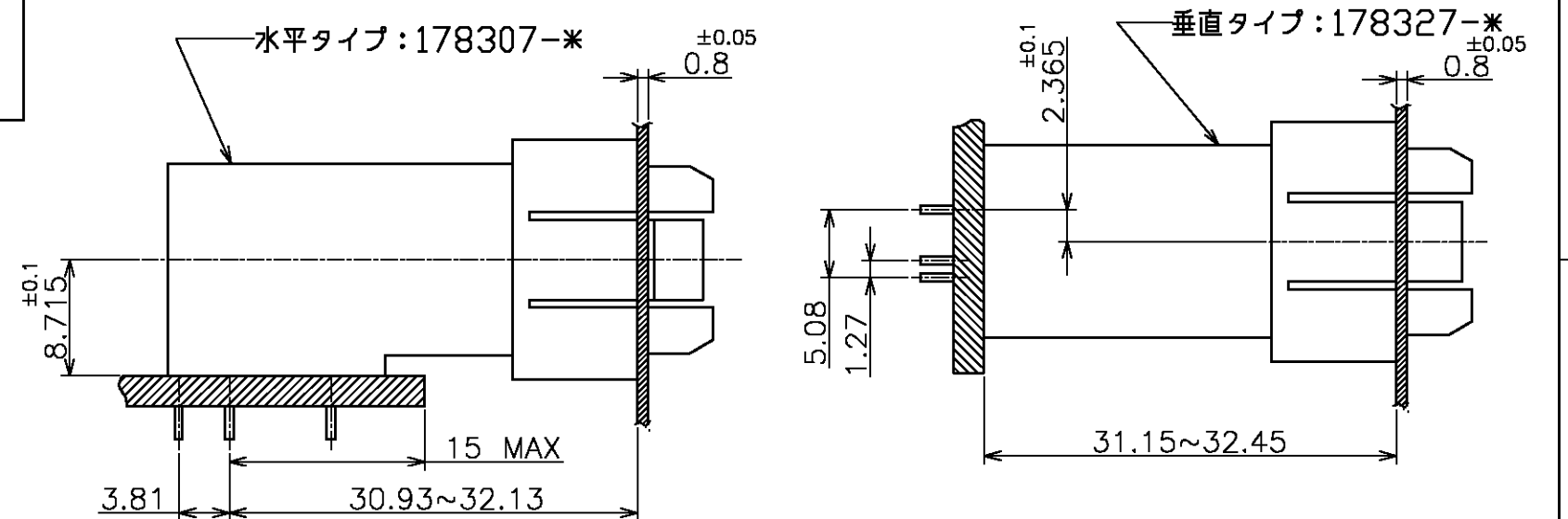
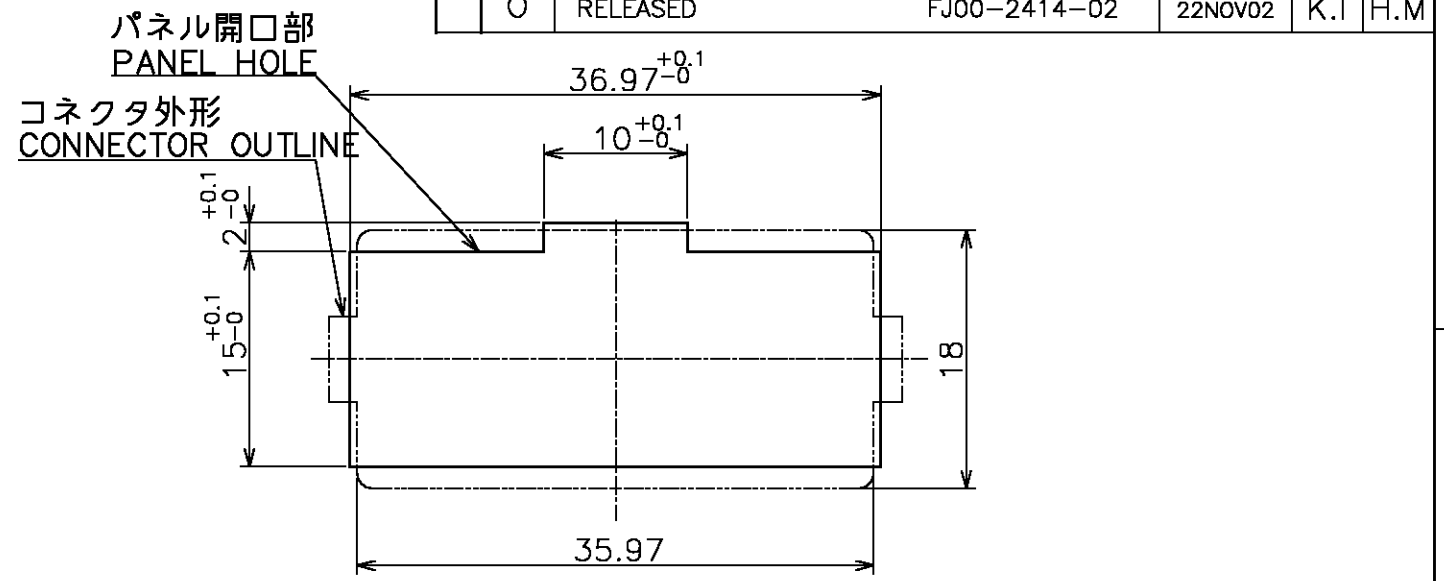
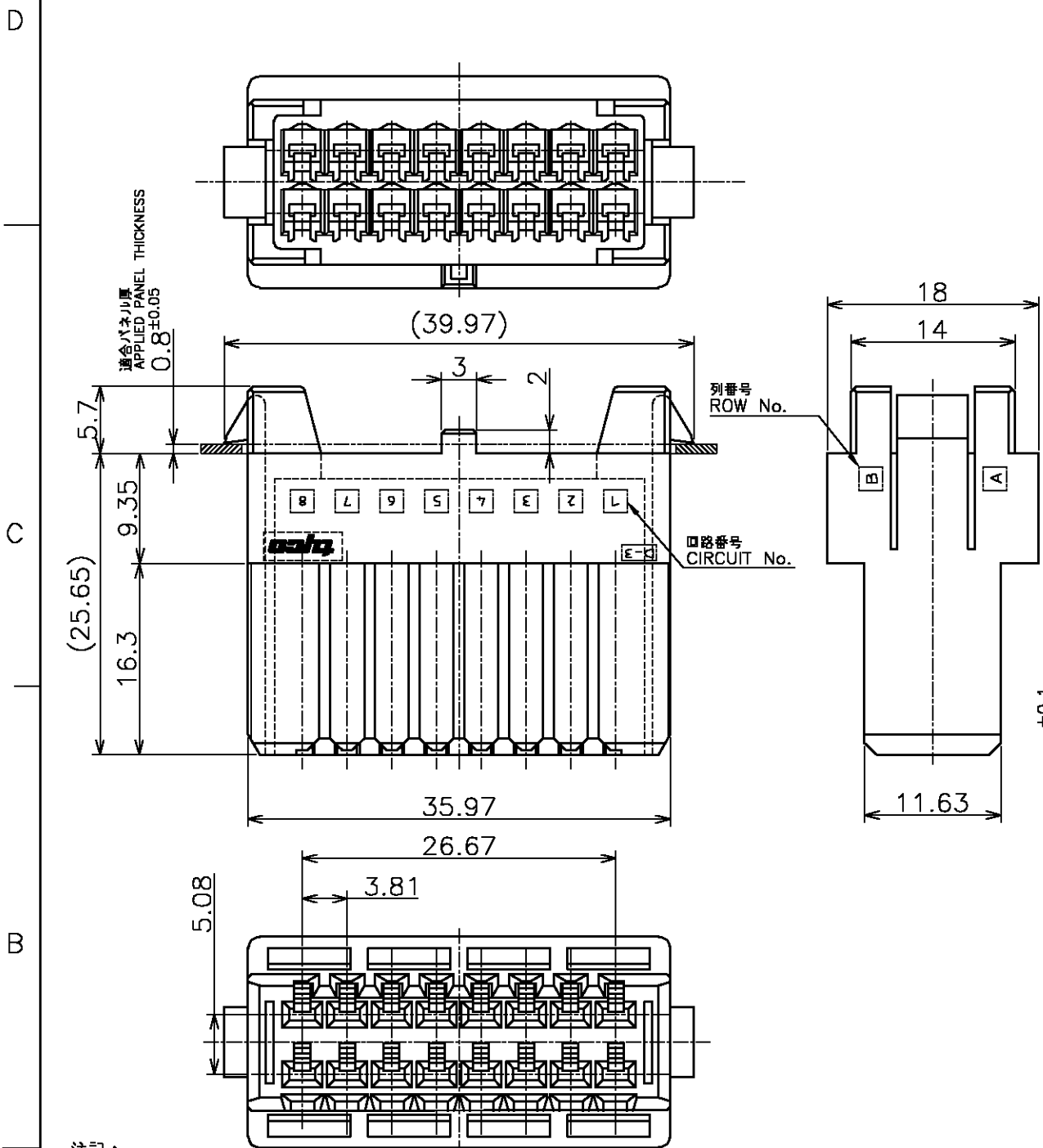


LOC	DIST	REVISIONS					
J		P	LTR	DESCRIPTION	DATE	DWN	APVD
			0	RELEASED	FJ00-2414-02	22NOV02	K.I H.M



パネル加工推奨寸法図 & 取付け推奨寸法  
 RECOMMENDED PANEL LAYOUT & CONNECTOR LAYOUT

注記:  
 1. 材料: ガラス入り熱可塑性樹脂 色; 黒色  
 2. フローティング: ±0.5 (但し軸ズレ量を含む)  
 3. コネクタはパネル打抜き側から挿入すること。

NOTES:  
 1. MATERIAL: G.F. THERMO PLASTIC COLOR; BLACK  
 2. FLOATING: ±0.5 (INCLUDE THE AMOUNT OF AXIAL GAP)  
 3. THE CONNECTOR SHOULD BE ENTERED IN THE PUNCHED DIRECTION OF THE PANEL.

411-78066	24~28	175194-*	20~24	175195-*	16~20	175196-*	14~16	917484-* 353715-*	16	1674157-7
取説 INSTRUCTION SHEET	AWG	P/N	AWG	P/N	AWG	P/N	AWG	P/N	極数 Pos.	型番 P/N
THIS DRAWING IS A CONTROLLED DOCUMENT.			適用コンタクト APPLIED CONTACT			DYNAMIC DRAWER CONNECTOR PANEL MOUNT SNAP FIT TYPE D-3100D 3.81 x 5.08 PITCH				
DIMENSIONS: 単位: 概 MM		TOLERANCES UNLESS OTHERWISE SPECIFIED: 一般公差		DWN K.IINO 21NOV02		Tyco Electronics AMP K.K. Kawasaki, Japan				
0 PLC ± 0.3 1 PLC ± 0.3 2 PLC ± 0.3 3 PLC ± 0.3 4 PLC ± 0.3 ANGLES ± 3°				CHK T.KUSUHARA 21NOV02		NAME S.MANABE 22NOV02				
MATERIAL 材料		FINISH 仕上		PRODUCT SPEC 製品規格 108-5863		DRAWING NO 番号 A3 00779 C-1674157				
△		△		APPLICATION SPEC 取付適用規格		WEIGHT 10g		RESTRICTED TO		
				CUSTOMER DRAWING		SCALE 尺度 2:1		SHEET 1 OF 1		REV 0

# Mouser Electronics

Authorized Distributor

Click to View Pricing, Inventory, Delivery & Lifecycle Information:

[TE Connectivity:](#)

[1674157-7](#)