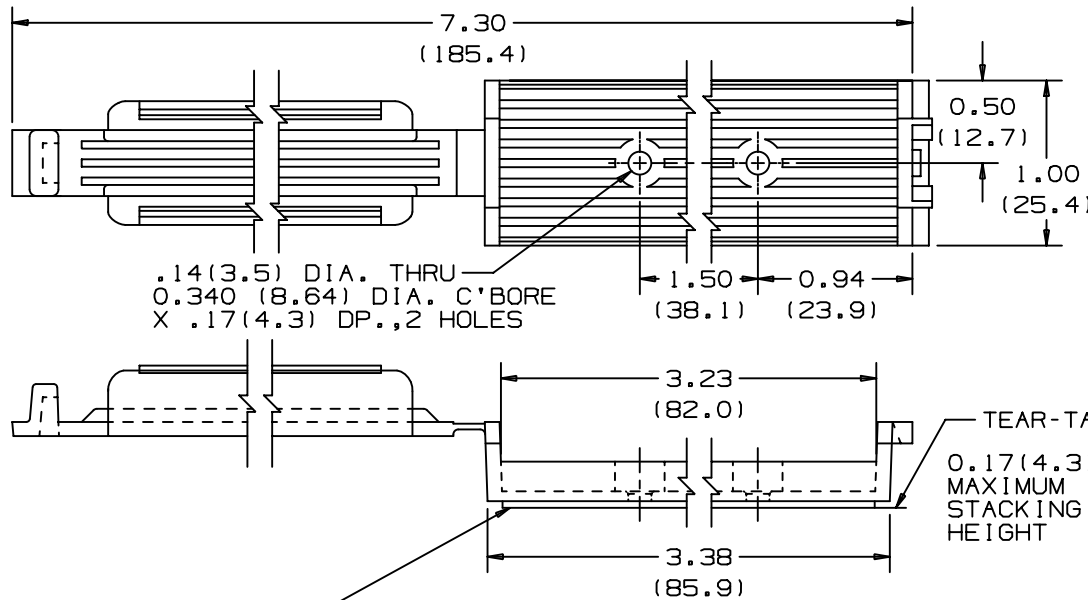


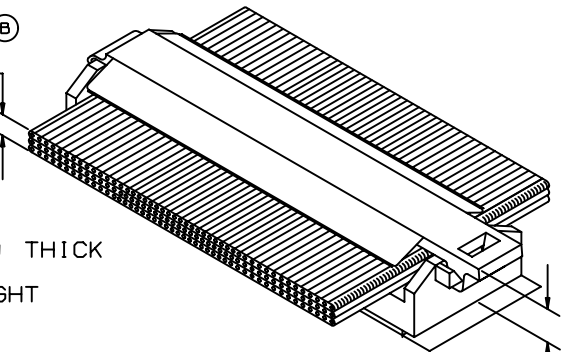
THIS COPY IS PROVIDED ON A RESTRICTED BASIS AND IS NOT TO BE USED IN ANY WAY DETRIMENTAL TO THE INTERESTS OF PANDUIT CORP.



PANDUIT PART No.	REC'M. SCREW FASTENER	WEIGHT LBS./100 (g)/PCS.
FCM3.25-A	N/A	3.26 (1480)
FCM3.25-S6	#6 (M3) FL. HD. OR BUTTON HD.	3.04 (1380)

NO WARRANTY, EXPRESSED OR IMPLIED, IS MADE BY PANDUIT WITH RESPECT TO ADHESIVE BOND PERFORMANCE. AMONG OTHER THINGS, THE CONDITIONS UNDER WHICH THESE MOUNTS MAY BE APPLIED AND/OR THE SURFACE TO WHICH THEY MAY BE APPLIED ARE BEYOND PANDUIT'S CONTROL.

Ⓒ ADHESIVE TAPE: PRESSURE SENSITIVE FOAM .040 (1.02) THICK WITH RUBBER ADHESIVE AND PROTECTIVE LINER. MOUNT IS DESIGNED TO SUPPORT 1.5 lbs. (680g) MAXIMUM WEIGHT ON A CLEAN, DRY, SMOOTH, GREASE-FREE SURFACE.



SCALE: 3/4 0.60 (15.2)

NOTES:

- SEE CURRENT PRICE SHEET FOR PART NUMBER SUFFIX DESIGNATION FOR PACKAGE SIZE AND PART COLOR.
- TO APPLY MOUNT: a) REMOVE PROTECTIVE LINER; b) PLACE IN DESIRED LOCATION; c) APPLY PRESSURE TO TOP OF MOUNT.

(DIMENSIONS IN PARENTHESES ARE IN METRIC.)

CAD FILENAME/LAYERS G00239JE\_PB\_FCM3.25\_00

**PANDUIT** CORP.

TINLEY PARK, ILLINOIS

3.25 INCH FLAT CABLE MOUNT  
FCM3.25

UNLESS OTHERWISE SPECIFIED, DIMENSIONAL TOLERANCES ARE:  
(.X) ± N/A (.XXX) ± N/A  
(.XX) ± .020 (.5) ANGLES ± 5°

UNLESS OTHERWISE SPECIFIED, ALL DIMENSIONS ARE GIVEN IN INCHES, THIRD ANGLE PROJECTION.

DRAWN BY LGG

MAT'L:

SCALE FULL

DATE 7/18/02

NYLON 6/6

DRAWING NO. G00239JE

DWG SIZE A

REV	DATE	BY	CHK	DESCRIPTION	ECN	R	CUST	SUP
R	7-18-02	LGG		INITIAL RELEASE-REPLACED G-00173	G00239JE	1		

# Mouser Electronics

Authorized Distributor

Click to View Pricing, Inventory, Delivery & Lifecycle Information:

[Panduit:](#)

[FCM3.25-A-T14](#) [FCM3.25-S6-T14](#)