

PART NUMBER LEGEND

2R7006A20M010

POLES 6-8

FINISHED LENGTH:
 A120= 12 IN.
 F020= 2 FEET
 F100= 10 FEET

M005= 0.5 METER
 M010= 1 METER
 M100= 10 METER

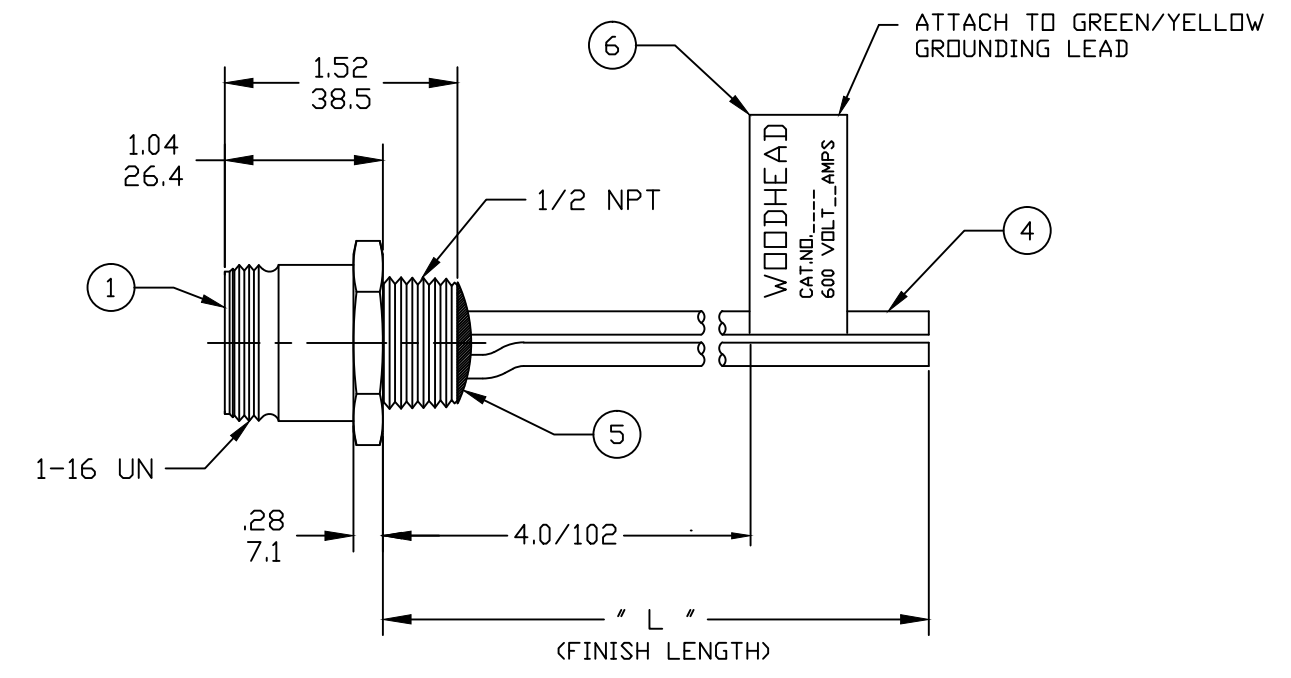
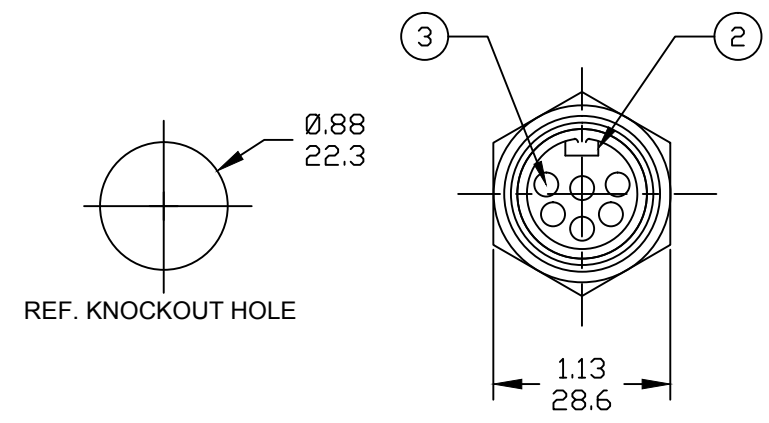
(A1) CABLE LENGTH TOLERANCES

>.3M [1FT]: +19mm-0 [+ .75in-0]
 .3 - .9M [1 - 3FT]: +44.5mm-0 [+1.75in-0]
 .9 - 1.8M [3 - 6FT]: +55.6mm-0 [+2.19in-0]
 1.8 - 3.7M [6 - 12FT]: +88.9mm-0 [+3.50in-0]
 3.7 - 7.3M [12 - 24FT]: +165.1mm-0 [+6.50in-0]
 7.3-14.6M [24 - 48FT]: +317.5mm-0 [+12.50in-0]
 14.6 - 30.5M [48-100FT]: +622.3mm-0 [+24.50in-0]
 OVER 30M [100FT] +2% OF FINISHED LENGTH

CHART (A1)

PART NO.	ENGINEERING NO.	FINISHED LENGTH
1300140025	2R6006A20A120	12IN
1300140052	2R7006A20F020	2.0FT
1300140153	2R8006A20M003	0.3M

- NOTES:**
- MATERIAL: AS NOTED
 - FINISH: AS NOTED
 - ELECTRICAL:
 VOLTAGE: 6 THRU 8P 600V PER UL 2238
 (A1) 6P 400V PER IEC 60664
 7 & 8P 320V PER IEC 60664
 CURRENT: 6 & 7 POLE: 8A
 8 POLE: 7A
 - TEMP RATING: -20°TO +105°C
 - PROTECTION: IP67 (WHEN MATED)
 - (A1) UL RECOGNIZED, FILE: E152210
 - ALL DIMS ARE FOR REFERENCE UNLESS OTHERWISE NOTED

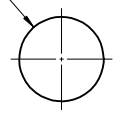


ITEM	COMPONENT	MATERIAL	FINISH
6	LABEL	VINYL	BLACK/YELLOW
5	POTTING	EPOXY	
4	WIRE, 16 AWG, UL 1015	PVC INSUL.	SEE FACE VIEW
3	CONTACT PIN	Cu ALLOY	GOLD PLATED
2	INSERT	PVC	YELLOW
1	RECEPTACLE SHELL	ZINC DIE-CAST	BLACK E-COAT

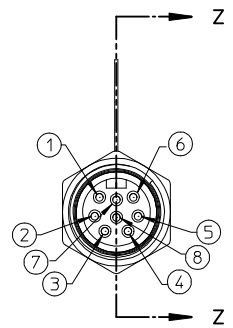
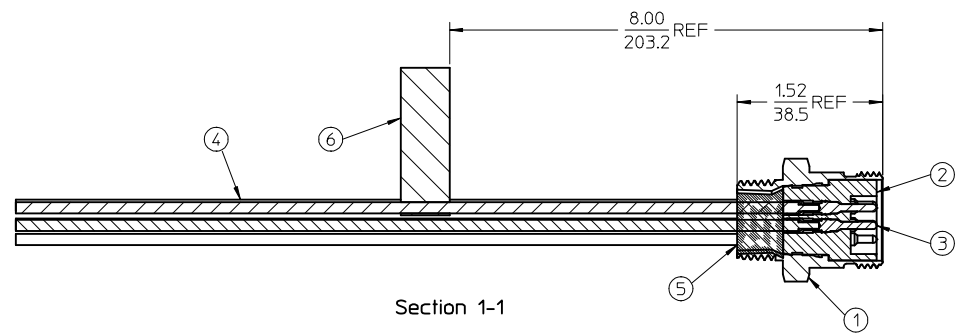
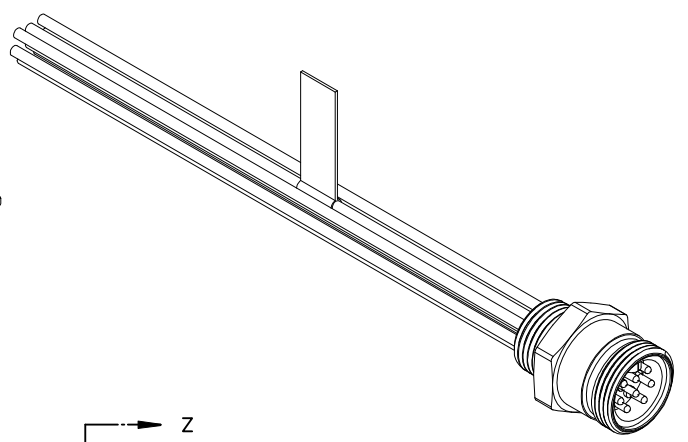
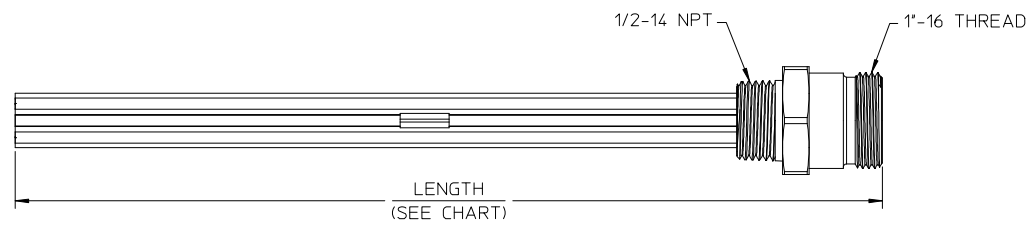
REVID IEC VOLTS; ADD UL FILE, CHART & TOLS EC NO: IPG2017-1018 DRWN: RSTONE 5/11/17 CHKD: M ZIELIN 2017/05/08 APPR: BWOODMAN 2017/01/16	QUALITY SYMBOLS ▽=0 ▽C=0	GENERAL TOLERANCES (UNLESS SPECIFIED) <table border="1" style="width: 100%; border-collapse: collapse;"> <thead> <tr> <th></th> <th>mm</th> <th>INCH</th> </tr> </thead> <tbody> <tr> <td>4 PLACES</td> <td>±---</td> <td>±---</td> </tr> <tr> <td>3 PLACES</td> <td>±---</td> <td>±---</td> </tr> <tr> <td>2 PLACES</td> <td>±---</td> <td>±---</td> </tr> <tr> <td>1 PLACE</td> <td>±---</td> <td>±---</td> </tr> </tbody> </table>		mm	INCH	4 PLACES	±---	±---	3 PLACES	±---	±---	2 PLACES	±---	±---	1 PLACE	±---	±---	DIMENSION STYLE INCH/MM	SCALE ---	DESIGN UNITS INCH	THIRD ANGLE PROJECTION
		mm	INCH																		
	4 PLACES	±---	±---																		
	3 PLACES	±---	±---																		
2 PLACES	±---	±---																			
1 PLACE	±---	±---																			
		DRAWN BY DATE RSTONE 2016/12/07		MINI-CHANGE RECEPTACLE MALE 6 TO 8 POLE 16 AWG																	
		CHECKED BY DATE M ZIELIN 2016/12/12																			
		APPROVED BY DATE BWOODMAN 2017/01/16		MOLEX INCORPORATED																	
		MATERIAL NO. ---		DOCUMENT NO. SD-130014-010		SHEET NO. 1 OF 1															
A1		DRAFT WHERE APPLICABLE MUST REMAIN WITHIN DIMENSIONS		THIS DRAWING CONTAINS INFORMATION THAT IS PROPRIETARY TO MOLEX INCORPORATED AND SHOULD NOT BE USED WITHOUT WRITTEN PERMISSION																	

MATERIAL NO.	ENGINEERING NO.	LENGTH
1300140078	2R8006A20A120	12' +.75-0 [305mm +19.0-0]
1300140084	2R8006A20F060	6'0' +2.19 [1.8M +55.6-0]

φ .88
22.4



REF. KNOCK-OUT HOLE



1	ORANGE
2	BLUE
3	WHITE/BLACK
4	BLACK
5	WHITE
6	RED
7	GREEN/YELLOW-GND
8	RED/BLACK

NOTES:

- MATERIAL: SEE TABLE
- FINISHES: SEE TABLE
- MATES WITH: 8/C MINI-CHANGE CORD ASSY.
- ELECTRICAL SPECIFICATIONS:
VOLTAGE RATING: 600V AC/DC
CURRENT RATING: 7 AMPS
- RoHS COMPLIANT

ITEM	QTY.	DESCRIPTION	MATERIAL	FINISH
6	1	LABEL	PLASTIC FILM	BLACK/YELLOW
5	1	POTTING	EPOXY	
4	8	WIRE, 16 AWG (UL 1015)	PVC INSULATED	SEE WIRE DIAGRAM
3	8	CONTACT PIN	BRASS	GOLD PLATED
2	1	INSERT	PVC	YELLOW
1	1	RECEPTACLE SHELL	ZINC ALLOY	E-COAT, BLACK

RELEASED EC NO: MNA2009-0813 DRAWN: RUPERT CHKD: BRUPERT APPR: J. MURPHY	2009/06/09	DESCRIPTION 2009/06/10	QUALITY SYMBOLS
	2009/06/09		▽=0
	2009/06/10		▽=0

GENERAL TOLERANCES (UNLESS SPECIFIED)	
mm	INCH
4 PLACES ± .005	± .001
3 PLACES ± .005	± .001
2 PLACES ± .005	± .001
1 PLACE ± 0.3	± .010
ANGULAR ± 1/2°	
DRAFT WHERE APPLICABLE MUST REMAIN WITHIN DIMENSIONS	

DIMENSION STYLE	
IN/MM	
DRAWN BY	DATE
R. STONE	2009/04/03
CHECKED BY	DATE
B. WOODMAN	2009/04/03
APPROVED BY	DATE
J. MURPHY	2009/04/07
MATERIAL NO.	
SEE CHART	
SIZE	
THIS DRAWING CONTAINS INFORMATION THAT IS PROPRIETARY TO MOLEX INCORPORATED AND SHOULD NOT BE USED WITHOUT WRITTEN PERMISSION	

SCALE	DESIGN UNITS	THIRD ANGLE PROJECTION
1:1	INCH	
TITLE		
MINI-CHANGE RECEPTACLE MALE, 8 POLE 1/2 IN NPT		
MOLEX INCORPORATED		SHEET NO. 1 OF 1
DOCUMENT NO.		
SD-130014-005		

Mouser Electronics

Authorized Distributor

Click to View Pricing, Inventory, Delivery & Lifecycle Information:

[Molex:](#)

[1300140078](#)