

THIS DRAWING IS UNPUBLISHED. RELEASED FOR PUBLICATION
 © COPYRIGHT - By - ALL RIGHTS RESERVED.

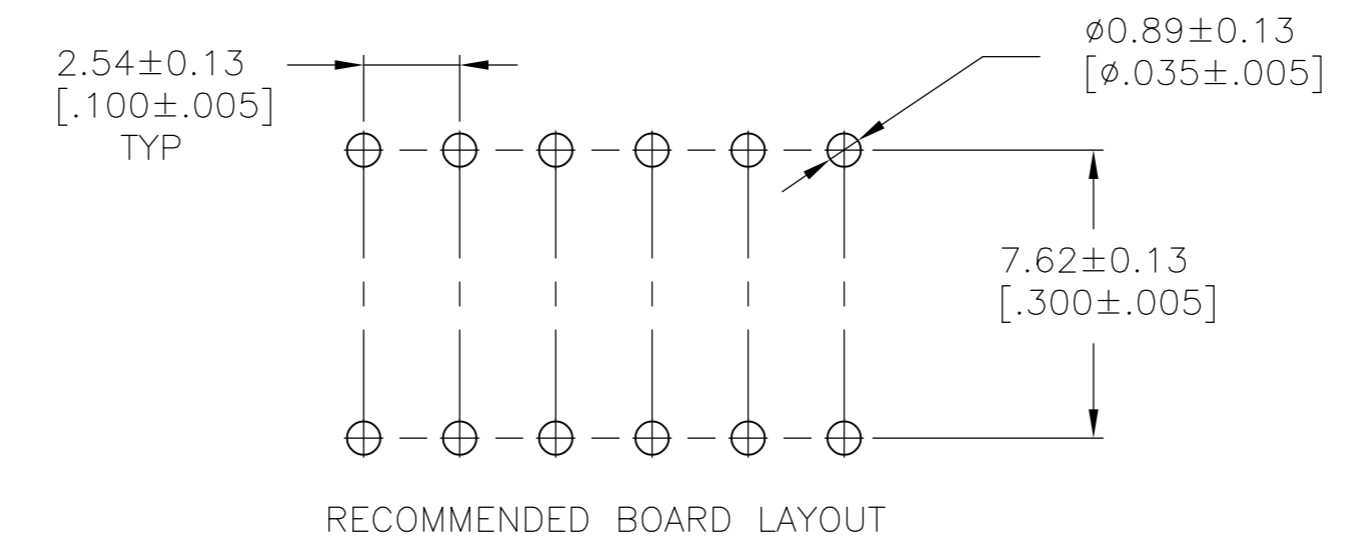
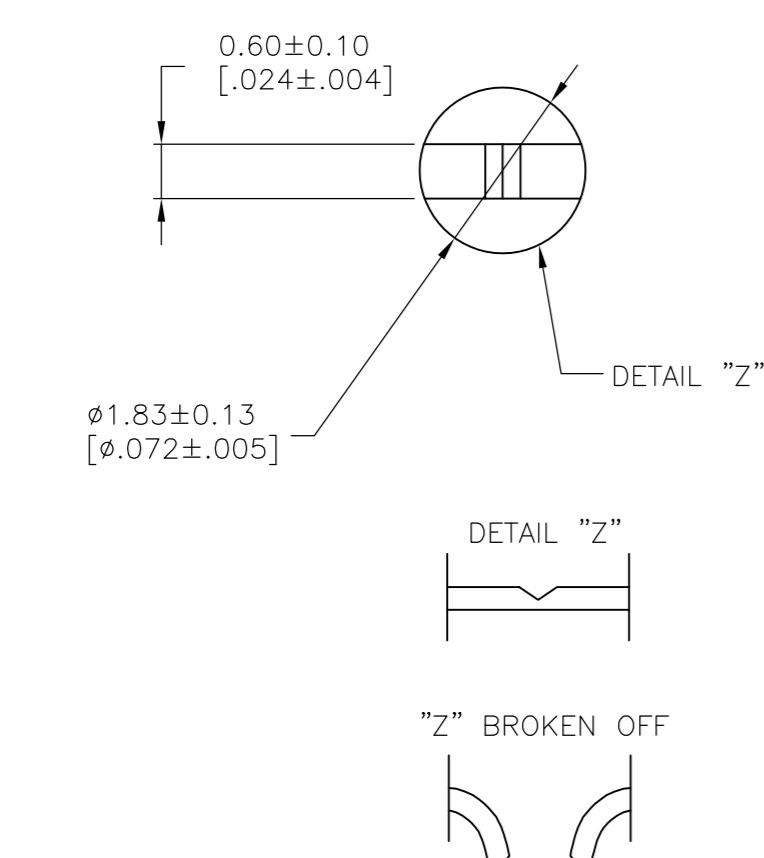
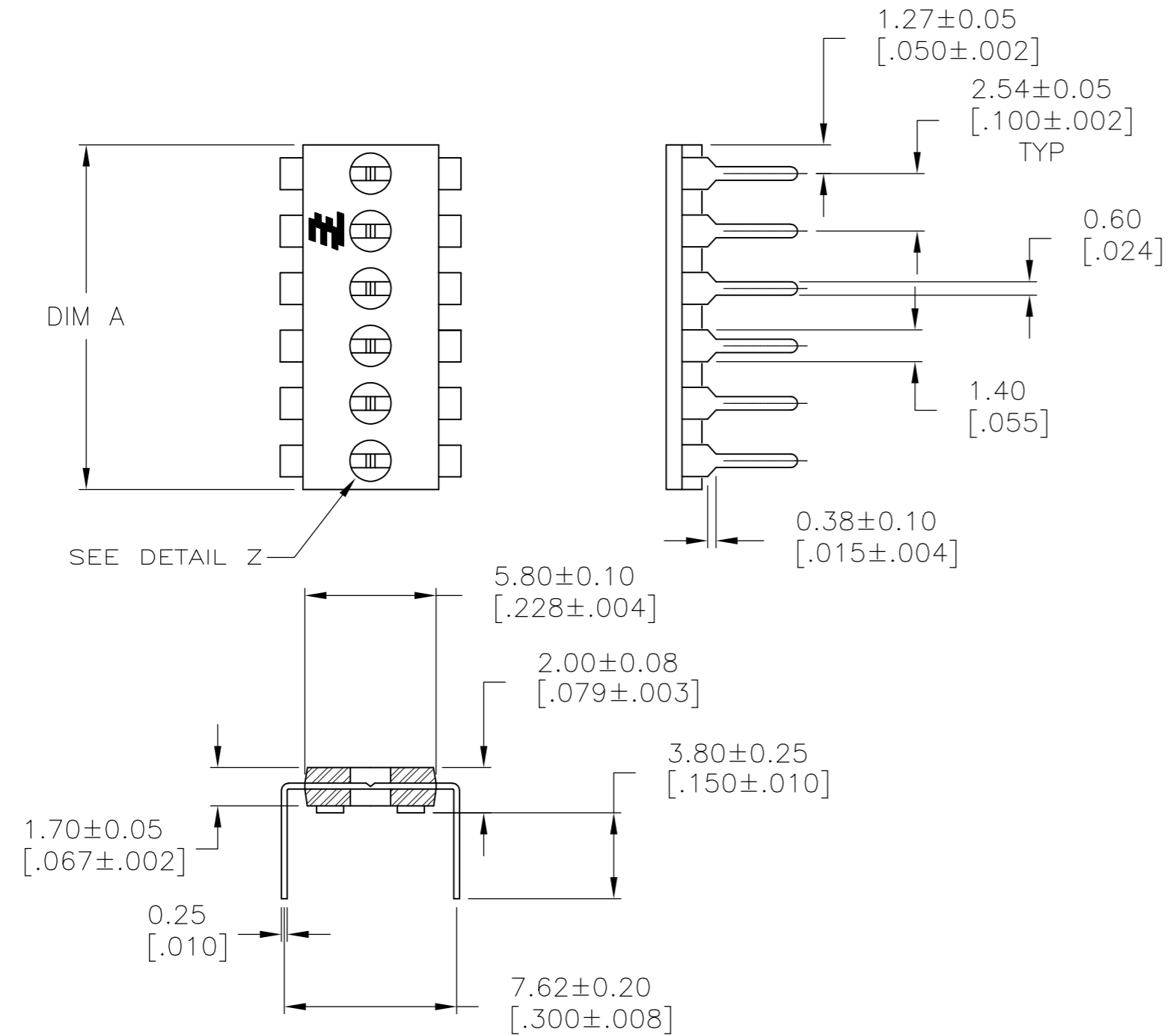
REVISIONS				
P	LTR	DESCRIPTION	DATE	APVD
C		REVISED PER ECO-12-007413	21APR12	KH PO
D		REVISED PER ECO-17-001607	16MAY2017	RK PO

SPECIFICATIONS:

MATERIAL:

CASE: HTN 30% GF UL94V-0
 TERMINAL: COPPER ALLOY, TIN OVER NICKEL PLATE

⚠ ALL MATERIALS AND FINISHES SHALL COMPLY WITH EU DIRECTIVE 2002/95/EC OF 27JAN2003 (ROHS)



	30.48 [1.200]	12	1-1825190-0
	25.40 [1.000]	10	1825190-9
OBSOLETE	22.86 [.900]	9	1825190-8
	20.32 [.800]	8	1825190-7
	17.78 [.700]	7	1825190-6
	15.24 [.600]	6	1825190-5
OBSOLETE	12.70 [.500]	5	1825190-4
	10.16 [.400]	4	1825190-3
OBSOLETE	7.62 [.300]	3	1825190-2
OBSOLETE	2.54 [.200]	2	1825190-1
	DIM A	POSITION	PART NO.

THIS DRAWING IS A CONTROLLED DOCUMENT.		DWN	B.S.VISWESWARA	06MAY05
DIMENSIONS: mm [INCHES]		CHK	M.S.SARVER	-
TOLERANCES UNLESS OTHERWISE SPECIFIED:		APVD	M.S.SARVER	-
0 PLC	± -	PRODUCT SPEC	-	NAME
1 PLC	± -	APPLICATION SPEC	-	SHUNT, DIP, PROGRAMMABLE
2 PLC	± 0.03[.001]	-	-	-
3 PLC	± -	-	-	-
4 PLC	± -	-	-	-
ANGLES	± -	WEIGHT	0.000000	SIZE
MATERIAL	FINISH	CUSTOMER DRAWING	A2	CAGE CODE
SEE TABLE	-	SCALE	4:1	DRAWING NO
		REVISIONS	00779	1825190
		SCALE	4:1	SHEET
		REV	D	1 OF 1

Mouser Electronics

Authorized Distributor

Click to View Pricing, Inventory, Delivery & Lifecycle Information:

[TE Connectivity:](#)

[1825190-9](#)