

NUMBER 179554

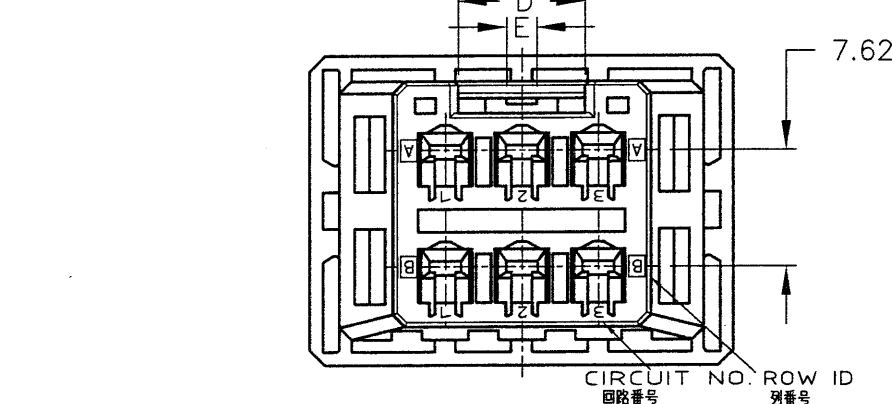
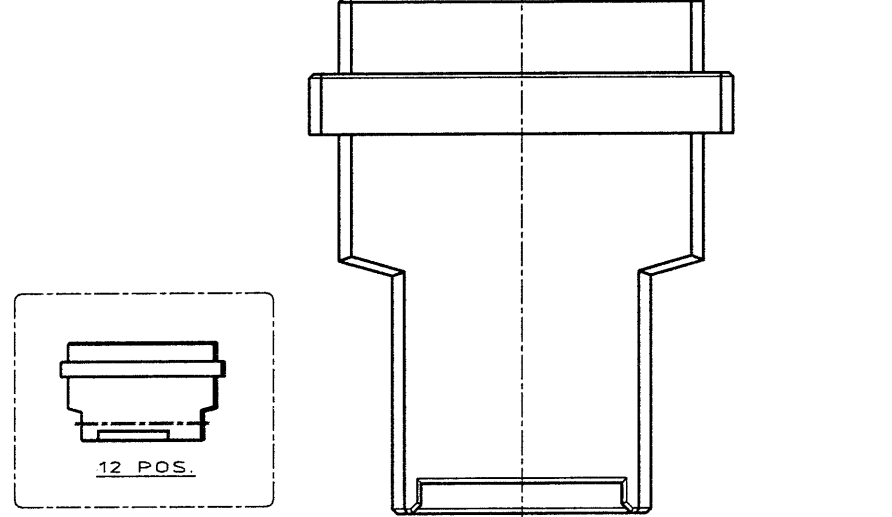
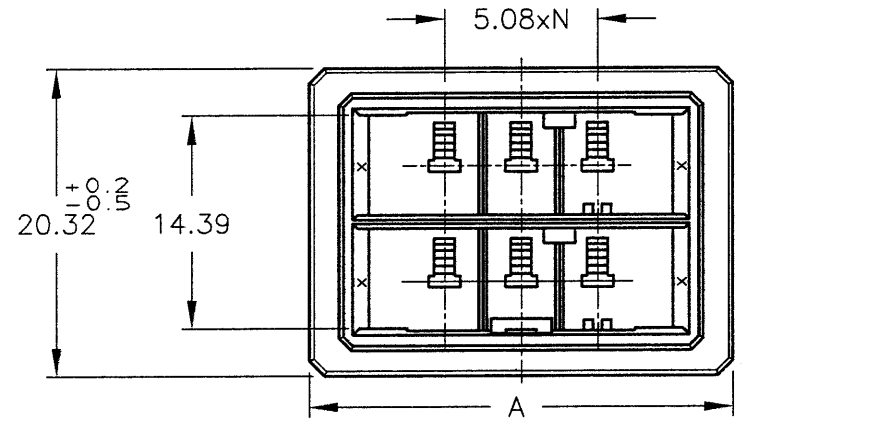
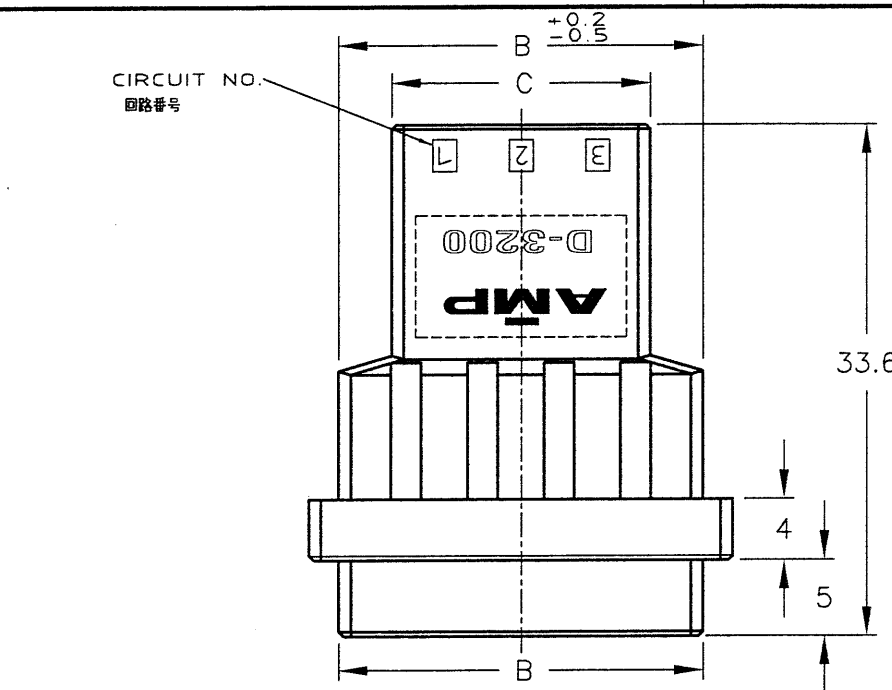
三角形 (30°) 傾斜 (PROJECTION)



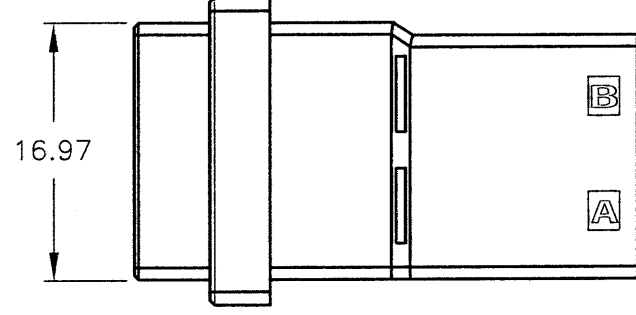
METRIC

単位: 概寸 寸法 (DIMENSIONS IN MM, DO NOT SCALE PRINT)

PRINT DIST



NOTES
 1 MATERIAL: GLASS FIELD THERMO PLASTIC, POLYESTER
 COLOR: BLACK
~~△ TO COAT ALL SURFACE OF HOUSING WITH TEFLON~~
 注記
 1 材料: ガラス入り熱可塑性ポリエステル樹脂
 色: 黒色
~~△ ハウジング全面にテフロン塗装のごと~~



	XY	3-179554-6
	YY	2-179554-6
	XX	1-179554-6
	XY	3-179554-3
	YY	2-179554-3
	XX	1-179554-3
キーイング KEYING PATTERN	パターン KEY	番号 PART NUMBER

OBSOLETE											7-179554-6
OBSOLETE											6-179554-6
OBSOLETE											5-179554-6
											3-179554-6
											2-179554-6
		12	43.35	39.4	32.4	18.4	4	5			1-179554-6
OBSOLETE											5-179554-3
											3-179554-3
											2-179554-3
		6	28.11	24.16	17.16	8.4	2	2			1-179554-3
	FINISH	POS. 極数	寸法 DIMENSION	A	B	C	D	E	N		型番 PART NUMBER

D3	REVISED	ECR-08-026918	T.K.	S.M.	24 OCT 2008	Copyright ©1994 年 Copyright ©1994 Tyco Electronics AMP K.K. ALL RIGHTS RESERVED.	Tyco Electronics Tyco Electronics Corporation Kawasaki, Japan					
D2	OBSOLETE	P/N. ECR-08-006764	Y.Y.	D.M.	14 MAR 2008							
D1	ADD P/N.	(FJ00-1259-00)	D.M.	S.M.	11 OCT '00	適合電線断面積 (WIRE RANGE)		適外用径 (INSULATION DIA.)	名称 (NAME)	フリーハンギングタイプタブハウジング ダイナミック D3200D シリーズ用 WIRE TO WIRE TAB HSG FOR DYNAMIC D-3200D FREE HANGING TYPE		
D	REVISED	(FJ00-2158-95)	K.I.	S.M.	4/18 '95	- mm ² (AWG -)		- mmφ	一般公差 (GENERAL TOLERANCE)	SIZE	LOC	番号 (No.)
C	REVISED	(FJ00-0885-94)	K.I.	S.M.	9/27 '94	材料 (MATERIAL) 注記参照		仕上 (FINISH)	10% : ±0.2	A3	J	179554
B	REVISED	(FJ00-0691-94)	NM	S.M.	5/31 '94	SEE NOTES			10% 30% : ±0.25	尺数 (SCALE)		REV.
A	REVISED	(FJ00-0454-94)	NM	S.M.	4/12 '94	DR. 31 JAN 94 N. Matsubara		DE. 31 JAN 94 N. Matsubara	30% 100% : ±0.3	2/1	D3	SHEET
O	RELEASED	(FJ00-1095-93)	NM	S.M.	2/2 '94	CHK. S. MANABE		APP. S. MANABE	角度 : ±3'	1 OF 1		
LTR	変更 (REVISION RECORD)		DR.	CHK.	DATE							

Mouser Electronics

Authorized Distributor

Click to View Pricing, Inventory, Delivery & Lifecycle Information:

[TE Connectivity:](#)

[3-179554-3](#)