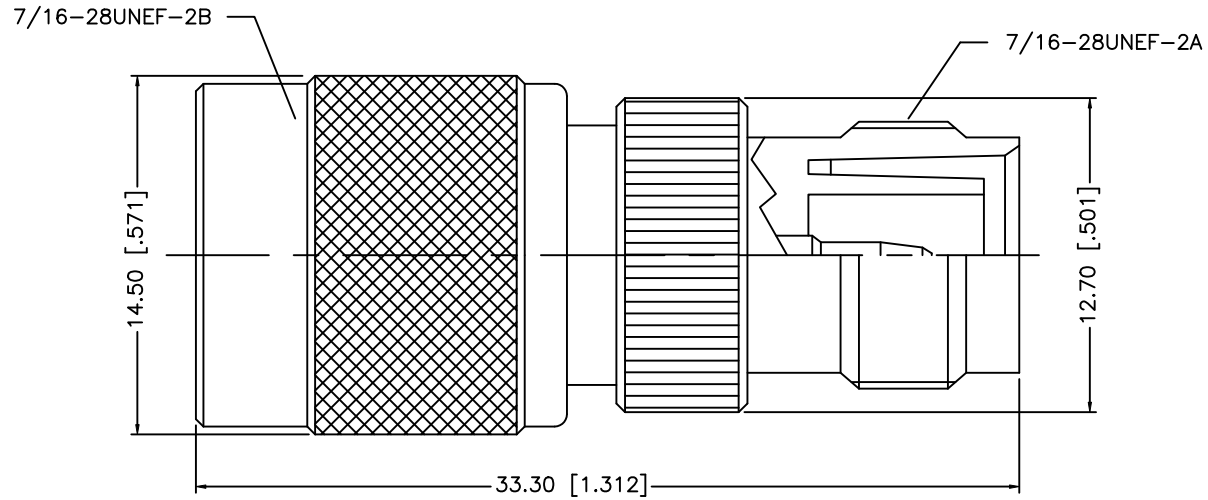


REV.	DATE	ECR NO.	DESCRIPTION
NC	11/10/04	-	INITIAL RELEASE
A	08/09/08	-	REVISE PART DESCRIPTION FROM "PLUG" TO "JACK"



8					<small>UNLESS OTHERWISE SPECIFIED DIMENSIONS ARE IN MILLIMETERS. DIMENSIONS IN [ ] ARE IN INCHES AND FOR CUSTOMER REFERENCE ONLY.</small> <small>UNLESS OTHERWISE SPECIFIED TOLERANCES FOR MILLIMETERS ARE:  0.5 - 8mm ± 0.20mm  8 - 30mm ± 0.40mm  30 - 120mm ± 0.50mm</small> <small>UNLESS OTHERWISE SPECIFIED TOLERANCES FOR INCHES ARE:  .020 - .315 = ± 0.007"  .315 - 1.180 = ± 0.015"  1.180 - 4.724 = ± 0.020"</small>	APPROVALS	DATE	<h1 style="color: blue;">Amphenol Connex</h1>			
7				DRAWN		GRS	08/09/08				
6				CHECKED				PART NO. <b>122498RP-10</b>			
5				ISSUED					DWG. NO. 122498RP-10.DWG		
4				SHEET	1 OF 1		REV. A	SIZE A		SCALE NA	
3	CONTACT PIN	PHOS. BRONZE	GOLD	1	DO NOT SCALE DRAWING						
2	INSULATOR	PTFE	NATURAL	1	C:/122/122498RP-10.DWG						
1	BODY	BRASS	NICKEL	1							
	DESCRIPTION	MATERIAL	FINISH	QTY							

# Mouser Electronics

Authorized Distributor

Click to View Pricing, Inventory, Delivery & Lifecycle Information:

[Amphenol:](#)

[122498RP-10](#)