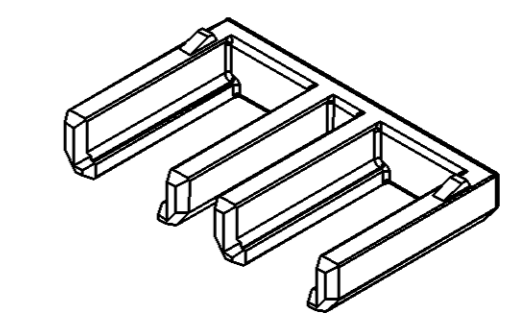
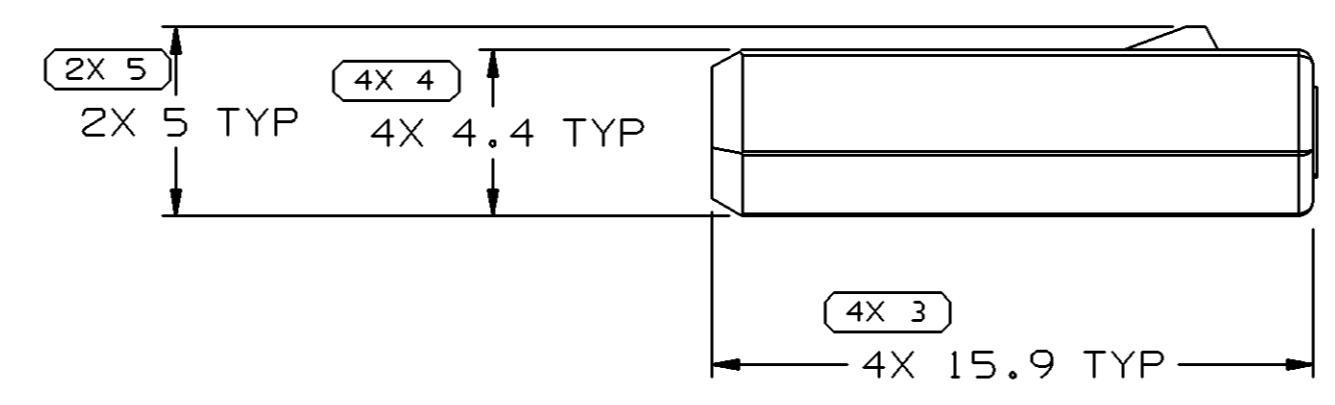
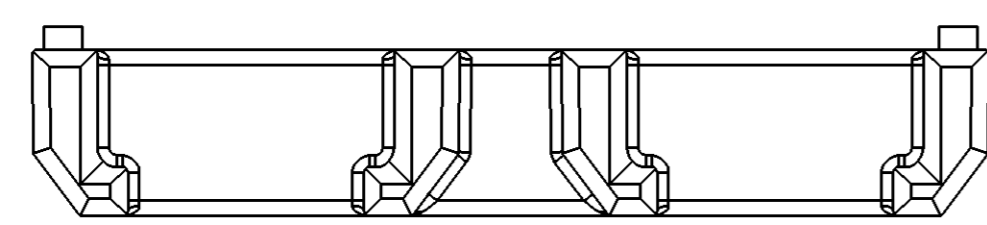
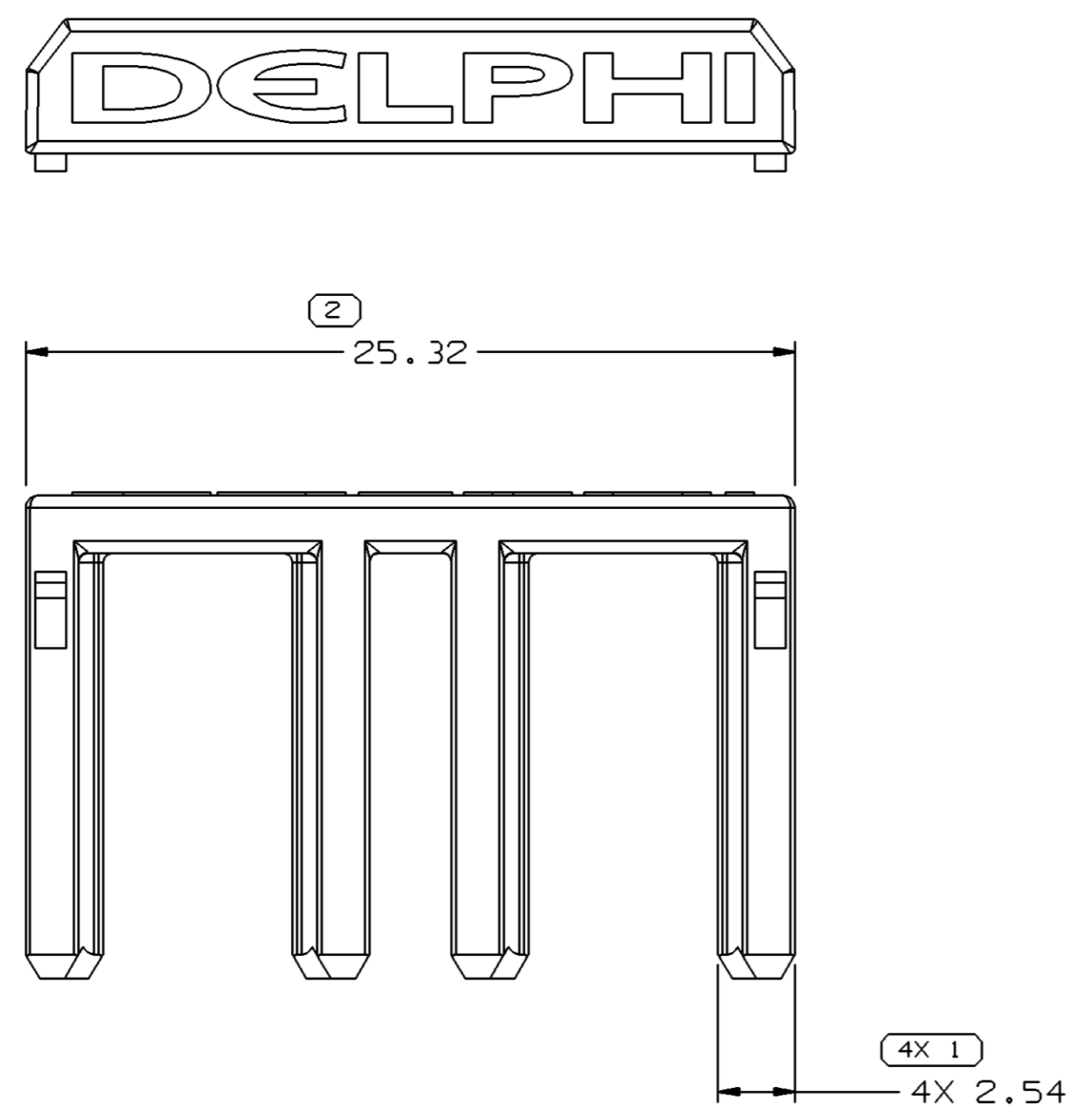


SYMBOL DEFINITION		
A DIMENSION WITHOUT AN INSPECTION REPORT SYMBOL ( ) DOES NOT REQUIRE INSPECTION. IT MAY BE CONTROLLED ON THE INDIVIDUAL COMPONENT DRAWING.	TOTAL NO OF INSPECTIONS REQUIRED	15
	LAST NO. USED	5

MISSING SYMBOLS						DWG STATUS				REVISION HISTORY				AUTH	DR	APVD 1	APVD 2
DATE	STG	REV	N/P	CHG	ZONE	DATE	STG	REV	N/P	CHG	ZONE	AUTH	DR	APVD 1	APVD 2		
25JN04	R	01	-	-		25JN04	R	01	-	-		256446	RH	RH	RSL		
12N004	R	02	-	-		12N004	R	02	-	-		261102	JS	JS	RSL		
17MR05	R	02	AA	-		17MR05	R	02	AA	-		266105	ARA	ARA	DG		



VIEW SCALE DOES NOT REFLECT ACTUAL SIZE OF PARTS

- NOTES
- UNLESS OTHERWISE SPECIFIED AND/OR INDICATED: DIMENSIONS ARE TO FACE OF VIEW SHOWN AND AUTOMATICALLY ROUNDED BY COMPUTER FOR INSPECTION (SEE MATH MODEL FOR PRECISE DIMENSIONS). FOR ALL OTHER DIMENSIONS NOT SHOWN BUT REQUIRED FOR TOOL BUILD, SEE MATH MODEL FOR PRECISE TOOL PATH DATA.
  - OPTIONAL CONSTRUCTION - MATERIAL RECYCLING CODE PER ISO 11469. (1)X(O.05) CHARACTERS AS SHOWN TO BE LOCATED ON ANY EXTERIOR SURFACE.
  - MATING COMPONENTS OR EQUIVALENT: CONNECTOR 15467630
  - (2.3)X(O.05) DELPHI CORPORATE BRAND TO BE LOCATED ON ANY EXTERIOR SURFACE, PREFERABLY VISIBLE AT FINAL ASSEMBLY. OPTIONAL CONSTRUCTION TO BE "PED".

DIMENSIONAL RANGE (MM)		CHART E1	
FROM	TO	FROM	TO
> 0	> 20	> 70	> 100
> 20	> 30	> 100	> 150
> 30	> 70	> 150	> 200
> 70	> 100	> 200	> 250
> 100	> 150	> 250	> 300
> 150	> 200	> 300	> 400
TOLERANCE UNLESS OTHERWISE SPECIFIED			
±0.15	±0.2	±0.3	±0.4
±0.4	±0.5	±0.6	±0.8
±1	±1.2	ANGULAR TOLERANCE ±2°	

DWG TYPE		PART DRAWING	
STYLE			
VOLUME (CM <sup>3</sup> )		DISTR CODE	
0.627		D	
UNLESS OTHERWISE SPECIFIED			
THIS DOCUMENT IS IN ACCORDANCE WITH ASME Y14.5M-1994 AS AMENDED BY THE GM GLOBAL DIMENSIONING AND TOLERANCING ADDENDUM-2001. SEPARATE PATTERNS OF FEATURES MAY BE GAGED SEPARATELY REGARDLESS OF DATUM REFERENCES.			
ALL DIMENSIONS ARE IN MILLIMETERS			
THIRD ANGLE PROJECTION			
DO NOT SCALE			
USE MATH DATA			

<b>DELPHI</b>			
DELPHI PACKARD ELECTRIC SYSTEMS WARREN, OH			
DR		DATE	
ROBERT HURD		25JN04	
APVD1		25JN04	
ROBERT HURD		25JN04	
APVD2		25JN04	
ROBERT HURD		25JN04	
APVD3		130C04	
ROBERT LESIGONICH		130C04	
APVD4			
APVD5			
SUBSTANCES OF CONCERN AND RECYCLED CONTENT PER DELPHI 10949001			
MATERIAL M4698004 PBT GF30 RED			
DRAWING NAME LOCK TPA COMB 8 RED			
DRAWING NUMBER 15467634			
SIZE	SCALE	FRAME NO	SHEET NO
A1	5:1	1 OF 1	1 OF 1
STG	REV	N/P	AA
R	02	AA	

# Mouser Electronics

Authorized Distributor

Click to View Pricing, Inventory, Delivery & Lifecycle Information:

[Aptiv:](#)

[15467634](#)