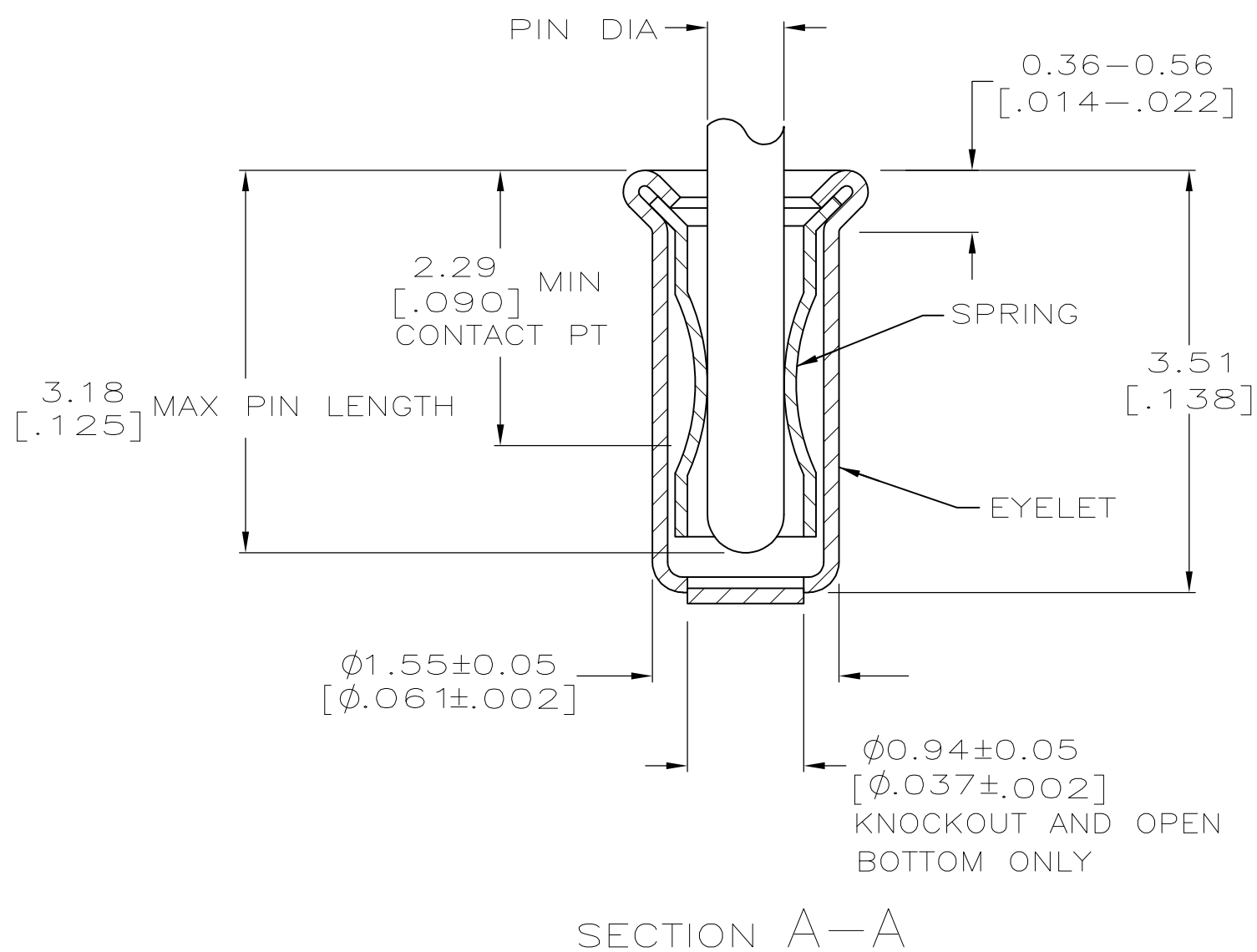
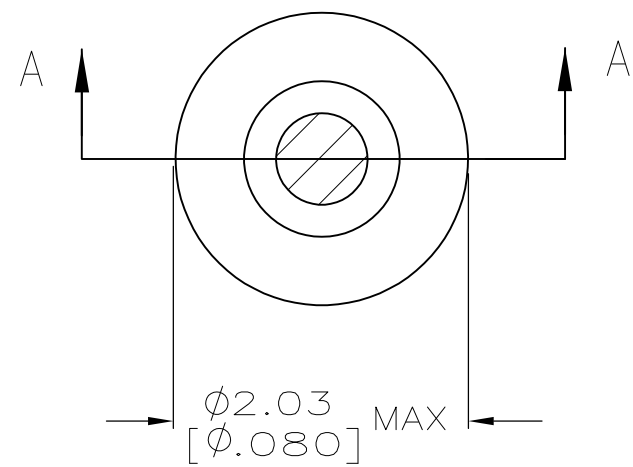


THIS DRAWING IS UNPUBLISHED. RELEASED FOR PUBLICATION
 © COPYRIGHT - By - ALL RIGHTS RESERVED.

LOC		DIST		REVISIONS			
P	LTR	DESCRIPTION		DATE	DWN	APVD	
GP	00	P		REVISED PER ECO-11-004835	07MAR11	RK HMR	



- 1. TIN PLATE PER ASTM B 545 0.00254 [.000100] MIN THICK.
- 2. GOLD PLATE PER ASTM B 488 0.00076 [.000030] MIN THICK OVER NICKEL PLATE PER QQ-N-290 0.00028 [.000011] MIN THICK ON CONTACT AREA.
- 3. RECOMMENDED HOLE SIZE, PLATED OR UNPLATED:
 MACHINE INSERTION: 1.57 ^{+0.10}/_{-0.08} [.062 ^{+0.004}/_{-0.003}]
 HAND INSERTION: 1.60 ^{+0.10}/_{-0.00} [.063 ^{+0.004}/_{-0.000}]
- 4. APPLICATION TOOL PART NUMBER: MACHINE NO. 682127-4
 INSERTION HEAD NO. 682039-3
- 5. TO INSURE PROPER SPRING TENSION DO NOT EXCEED A 0.05 [.002] DIFFERENCE IN PIN DIA WHEN CHANGING TO A SMALLER PIN.
- 6. BOTTOM PLUG KNOCKOUT TOOL PART NUMBER 69729 WITH TIP PART NUMBER 69728-1.
- 7. MATERIAL: BERYLLIUM COPPER PER ASTM B 194
 EYELET: COPPER PER ASTM B 152
- 8. OBSOLETE PARTS: OBSOLETE CIS STREAMLINING PER D.RENAUD/D.SINISI

8	OBSOLETE	FINISH		EYELET	SPRING	PART NO
		TIN	GOLD			
	OPEN	0.76-0.84	[.030-.033]	TIN	GOLD	7-5331677-4
	CLOSED	0.66-0.74	[.026-.029]			3-5331677-8
	KNOCKOUT	0.76-0.84	[.030-.033]	TIN	GOLD	3-5331677-4
	OPEN	0.66-0.74	[.026-.029]			3-5331677-2
	CLOSED	0.76-0.84	[.030-.033]	TIN	GOLD	2-5331677-4
	OPEN	0.76-0.84	[.030-.033]			2-5331677-2
	CLOSED	0.56-0.64	[.022-.025]	TIN	GOLD	1-5331677-8
	OPEN	0.76-0.84	[.030-.033]			1-5331677-6
	CLOSED	0.76-0.84	[.030-.033]	TIN	GOLD	1-5331677-3
	OPEN	0.76-0.84	[.030-.033]			1-5331677-8

THIS DRAWING IS A CONTROLLED DOCUMENT.		DWN A. FERNANDEZ-DOCK5 22APR2005	TE Connectivity	
DIMENSIONS: mm [INCHES]		CHK J. HAVENER 22APR2005	NAME MINIATURE SPRING SOCKET ASSEMBLY	
TOLERANCES UNLESS OTHERWISE SPECIFIED:		APVD J. HAVENER 22APR2005	PRODUCT SPEC 108-14008	
0 PLC ± -		APPLICATION SPEC 114-13152	RESTRICTED TO	
1 PLC ± -		WEIGHT	SIZE A2	CAGE CODE 00779
2 PLC ± -		FINISH SEE TABLE	DRAWING NO 5331677	REV P
3 PLC ± 0.20 [.008]		CUSTOMER DRAWING	SCALE 20:1	SHEET 1 of 1
4 PLC ± -				
ANGLES ± -				

Mouser Electronics

Authorized Distributor

Click to View Pricing, Inventory, Delivery & Lifecycle Information:

[TE Connectivity:](#)

[3-5331677-8](#)