

A Unit of Teledyne Electronics and Communications

MAGNETIC-LATCHING ESTABLISHED RELIABILITY TO-5 RELAYS DPDT

SERIES 420/422

| SERIES DESIGNATION | RELAY TYPE |
|--------------------|---|
| 420/422 | DPDT basic relay |
| 420D/422D | DPDT relay with internal diode for coil transient suppression |
| 420DD/422DD | DPDT relay with internal diodes for coil transient suppression and polarity reversal protection |

DESCRIPTION

The magnetic-latching TO-5 relay, originally conceived and developed by Teledyne, has become one of the industry standards for low-level switching from dry circuit to 1 ampere. Designed for high-density PC board mounting, its small size and low coil power dissipation make the 420 and 422 relays some of the most versatile ultraminiature relays available.

The following unique construction features and manufacturing techniques provide excellent resistance to environmental extremes and overall high reliability:

- All welded construction.
- Unique uni-frame design providing high magnetic efficiency and mechanical rigidity.
- High force/mass ratios for resistance to shock and vibration.
- Advanced cleaning techniques provide maximum assurance of internal cleanliness.
- Precious metal alloy contacts material with gold plating assures excellent high current and dry circuit switching capabilities.

The Series 420D/422D and 420DD/422DD utilize discrete diodes for coil suppression and polarity reversal protection.

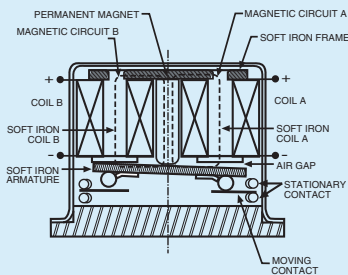
By virtue of its inherently low intercontact capacitance and contact circuit losses, these TO-5 relays have proven to be excellent ultraminiature RF switches for frequency ranges well into the UHF spectrum. A typical RF application for these TO-5 relays is in handheld radio receivers, wherein the combined features of good RF performance, small size, very low coil power dissipation and high reliability make it a preferred method of transmit-receive switching (see Figure 1).

The Series 420/422 magnetic-latching relays are ideally suited for applications where power dissipation must be minimized. The relays can be operated with a short duration pulse. After the contacts have transferred, no external holding power is required.

The magnetic latching feature of the Series 420/422 relays provide a "memory" capability, since the relays will not reset upon removal of coil power.

PRINCIPLE OF OPERATION

Energizing Coil B produces a magnetic field opposing the holding flux of the permanent magnet in Circuit B. As this net holding force decreases, the attractive force in the air gap of Circuit A, which also results from the flux of the permanent magnet, becomes great enough to break the armature free of Core B, and snap it into a closed position against Core A. The armature then remains in this position upon removal of power from Coil B, but will snap back into position B upon energizing Coil A. Since operation depends upon cancellation of a magnetic field, it is necessary to apply the correct polarity to the relay coils as indicated on the relay schematic. When latching relays are installed in equipment, the latch and reset coils should not be pulsed simultaneously. Coils should not be pulsed with less than rated coil voltage and the pulse width should be a minimum of three times the specified operate time of the relay. If these conditions are not followed, it is possible for the relay to be in the magnetic neutral position.



ENVIRONMENTAL AND PHYSICAL SPECIFICATIONS

| | |
|--------------------------------------|-------------------------------|
| Temperature (Ambient) | -65°C to +125°C |
| Vibration (General Note 1) | 30 g's to 3000 Hz |
| Shock (General Note 1) | 100 g's, 6 msec, half-sine |
| Acceleration | 50 g's |
| Enclosure | Hermetically sealed |
| Weight | 0.10 oz. (2.84g) max. |

SERIES 420/422

GENERAL ELECTRICAL SPECIFICATIONS (-65°C to +125°C unless otherwise noted) (Notes 2 & 3)

| | | |
|---|--|---------------------------|
| Contact Arrangement | 2 Form C (DPDT) | |
| Rated Duty | Continuous | |
| Contact Resistance | 0.125 ohm max. before life; 0.225 ohm max. after life at 0.5A/28Vdc (measured 1/8" from header) | |
| Contact Load Ratings (DC) (See Fig. 2 for other DC resistive voltage/current ratings) | Resistive: 1 Amp/28Vdc Inductive: 200 mA/28Vdc (320 mH) Lamp: 100 mA/28Vdc Low Level: 10 to 50 μA/10 to 50mV | |
| Contact Load Ratings (AC) | Resistive: 250 mA/115Vac, 60 and 400 Hz (Case not grounded) 100 mA/115Vac, 60 and 400 Hz (Case grounded) | |
| Contact Life Ratings | 10,000,000 cycles (typical) at low level 1,000,000 cycles (typical) at 0.5A/28Vdc resistive 100,000 cycles min. at all other loads specified above | |
| Contact Overload Rating | 2A/28Vdc Resistive (100 cycles min.) | |
| Contact Carry Rating | Contact factory | |
| Coil Operating Power | 290 milliwatts typical at nominal rated voltage @ 25°C | |
| Operate Time | 420/422, 420D/422D: 1.5 msec max. at nominal rated coil voltage 420DD/422DD: 2.0 msec max. at nominal rated coil voltage | |
| Contact Bounce | 2.0 msec max. | |
| Minimum Operate Pulse | 4.5 msec width @ rated voltage | |
| Intercontact Capacitance | 0.4 pf typical | |
| Insulation Resistance | 10,000 megohms min. between mutually isolated terminals | |
| Dielectric Strength | Atmospheric pressure: 500 Vrms/60Hz | 70,000 ft.: 125 Vrms/60Hz |
| Negative Coil Transient (Vdc) | 420D/422D, 420DD/422DD | 1.0 max |
| Diode P.I.V. (Vdc) | 420D/422D, 420DD/422DD | 100 min. |

ESTABLISHED RELIABILITY

DETAILED ELECTRICAL SPECIFICATIONS (-65°C to +125°C unless otherwise noted) (Note 3)

| BASE PART NUMBERS (See Note 8 for full P/N example) | ➔ | 420/422-5 | 420/422-12 | 420/422-26 |
|--|----------------------|------------------------------|--------------------------------|--------------------------------|
| | | 420D/422D-5 420DD/422DD-5 | 420D/422D-12 420DD/422DD-12 | 420D/422D-26 420DD/422DD-26 |
| Coil Voltage (Vdc) | Nom. | 5.0 | 12.0 | 26.5 |
| | Max. | 6.0 | 16.0 | 32.0 |
| Coil Resistance (Ohms ±10% @25°C) | 420/422, 420D/420D | 61 | 500 | 2000 |
| | 420DD/422DD (Note 4) | 48 | 500 | 2000 |
| Coil Current (mAdc @25°C) (420DD/422DD Series only) | Min. | 75.8 | 20.0 | 11.6 |
| | Max. | 104.2 | 25.5 | 14.4 |
| Set & Reset Voltage (Vdc, Max.) | 420/422, 420D/422D | 3.5 | 9.0 | 18.0 |
| | 420DD/422DD | 4.5 | 10.0 | 19.0 |

PERFORMANCE CURVES (NOTE 2)

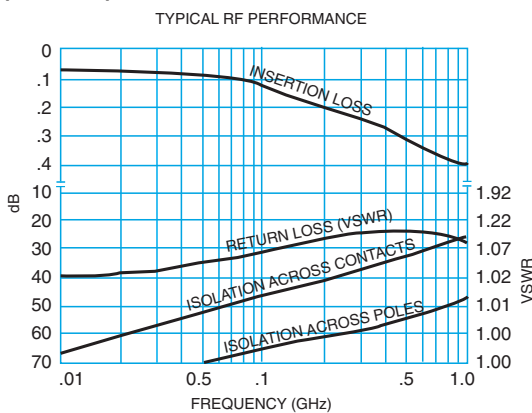


FIGURE 1

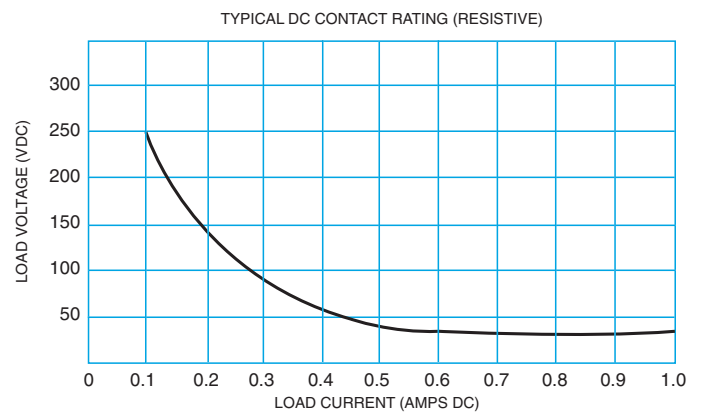
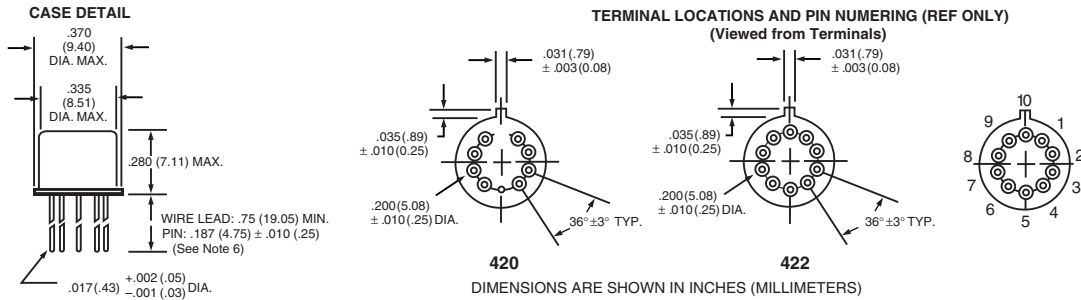


FIGURE 2

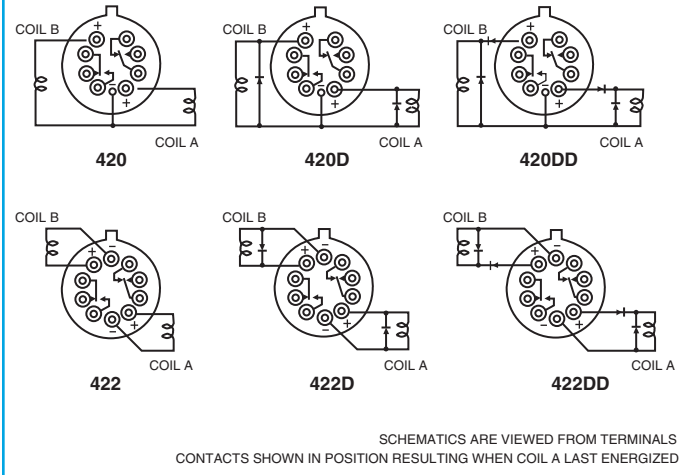
OUTLINE DIMENSIONS



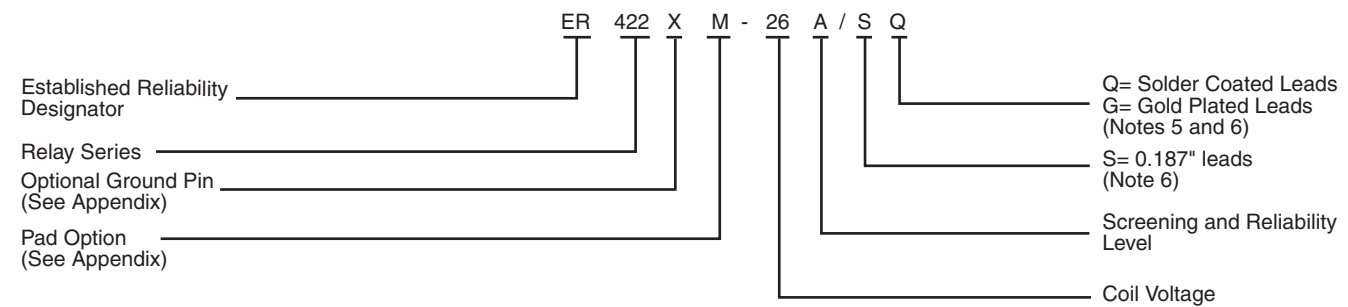
GENERAL NOTES

1. Relay contacts will exhibit no chatter in excess of 10 μsec or transfer in excess of 1 μsec.
2. "Typical" characteristics are based on available data and are best estimates. No on-going verification tests are performed.
3. Unless otherwise specified, parameters are initial values.
4. For reference only. Coil resistance not directly measurable at relay terminals due to internal series diode. 420DD and 422DD only.
5. Unless otherwise specified, relays will be supplied with either gold-plated or solder-coated leads.
6. The slash and characters appearing after the slash are not marked on the relay.
7. Screened HI-REL versions available. Contact factory.
- 8.

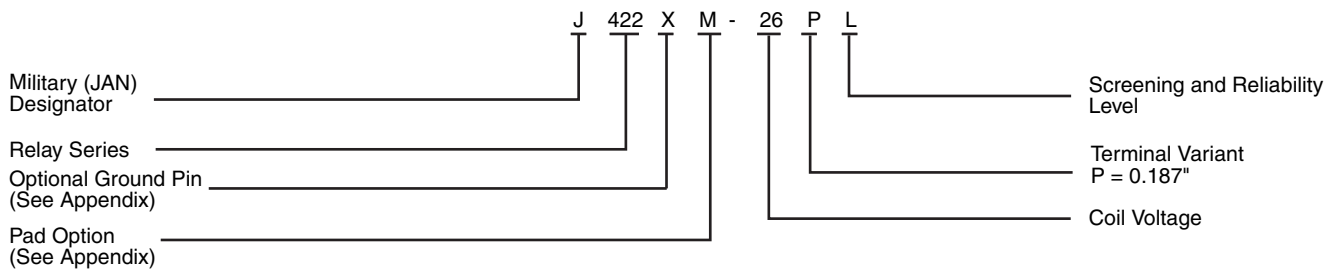
SCHEMATIC DIAGRAMS



Teledyne Part Numbering System for **T²R**® Established Reliability Relay



Teledyne Part Numbering System for Military Qualified (JAN) Relays



Mouser Electronics

Authorized Distributor

Click to View Pricing, Inventory, Delivery & Lifecycle Information:

Teledyne Relays:

[ER422DD-12A](#) [ER422-26B](#) [ER422D5B](#) [j422-5wm/Q](#)