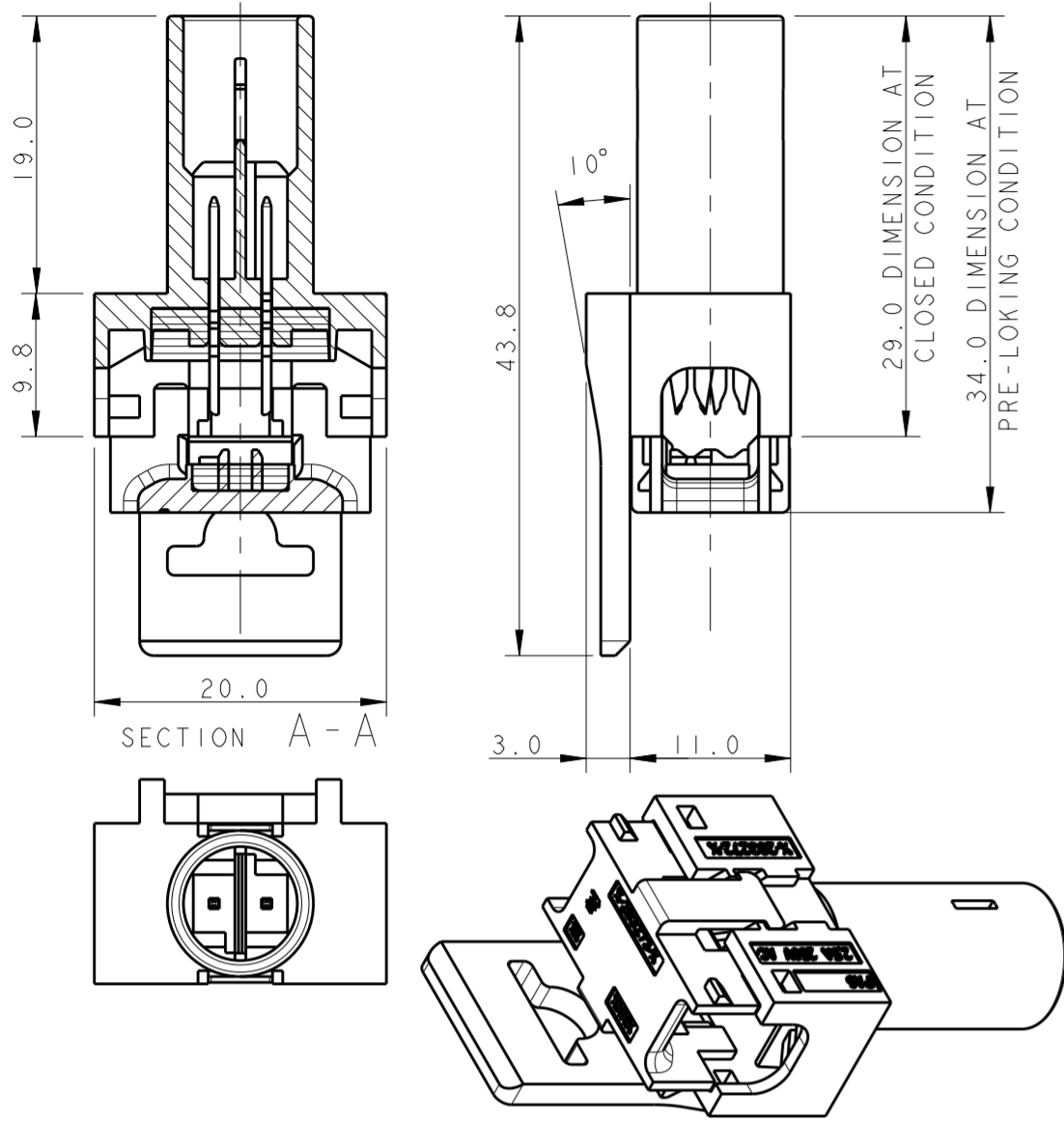
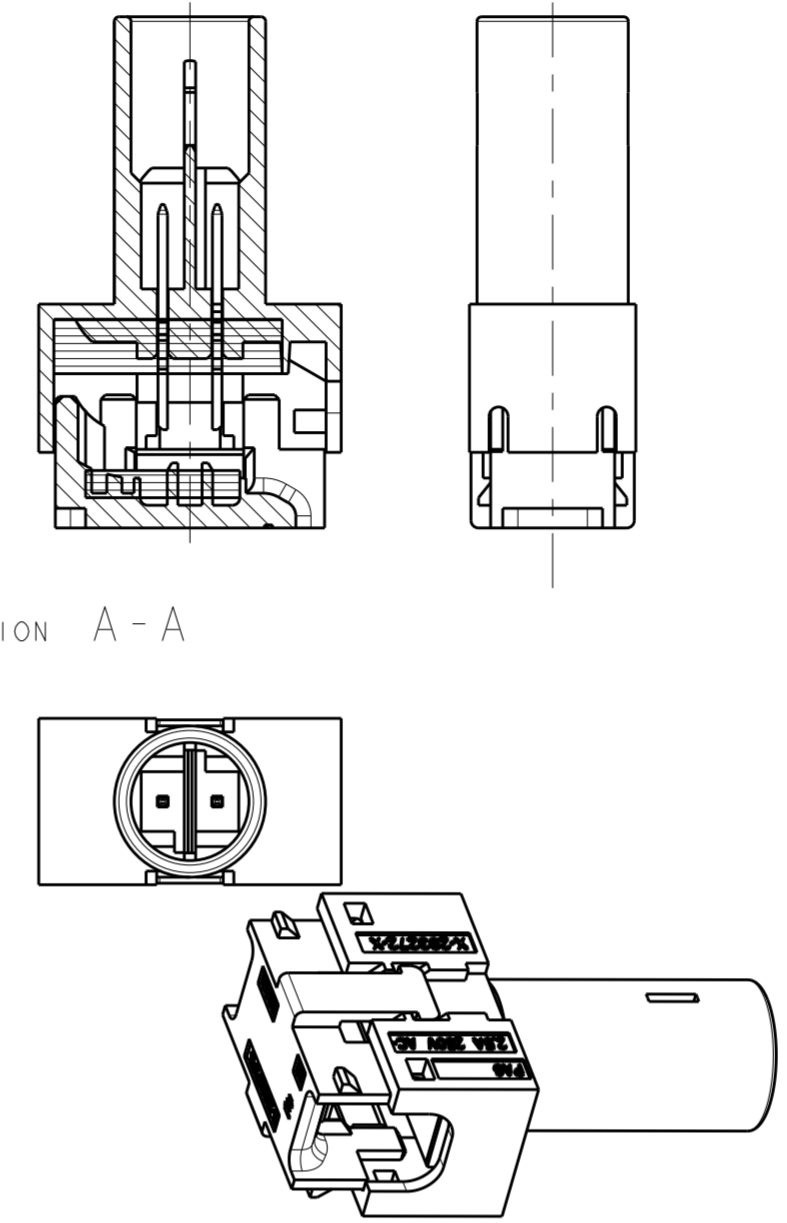
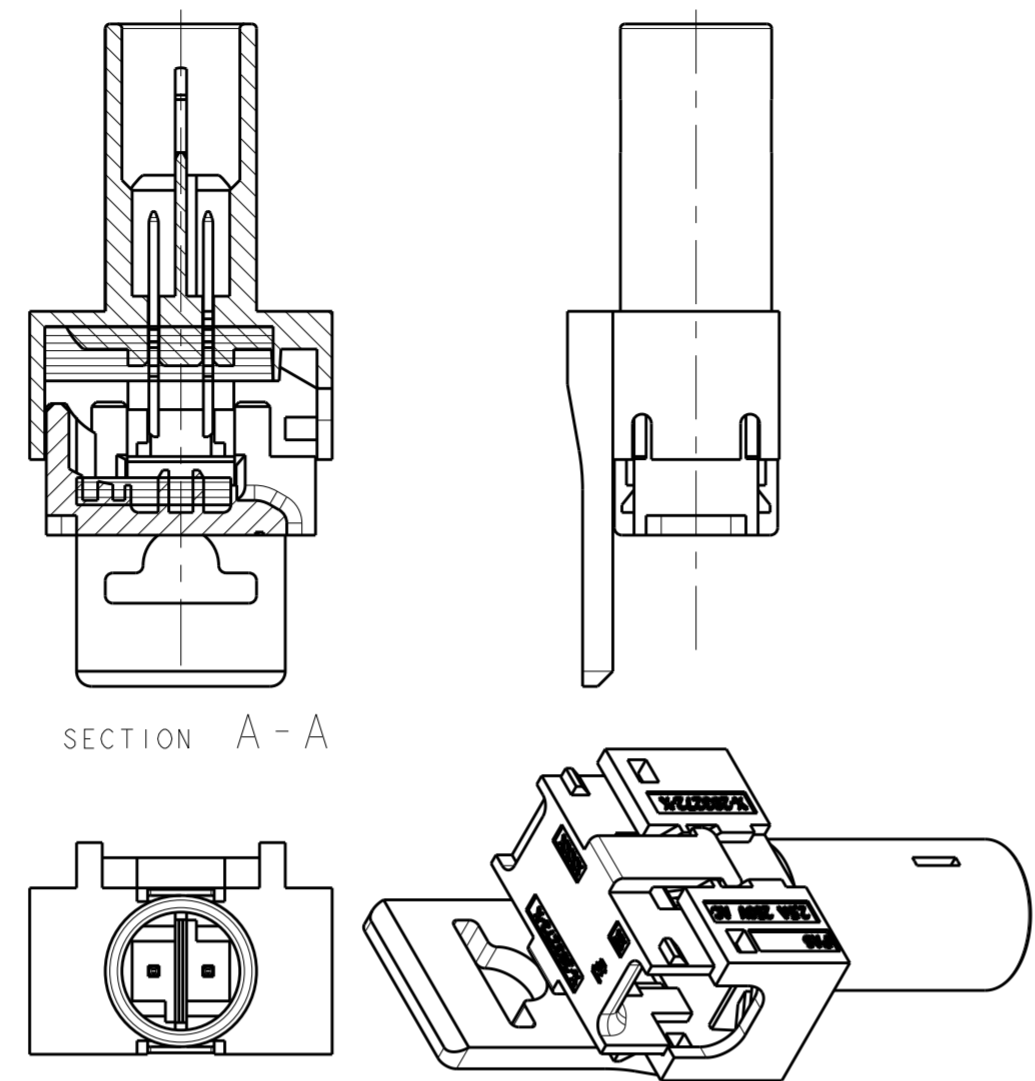


THIS DRAWING IS UNPUBLISHED. RELEASED FOR PUBLICATION 20  
 © COPYRIGHT 20 BY - ALL RIGHTS RESERVED.

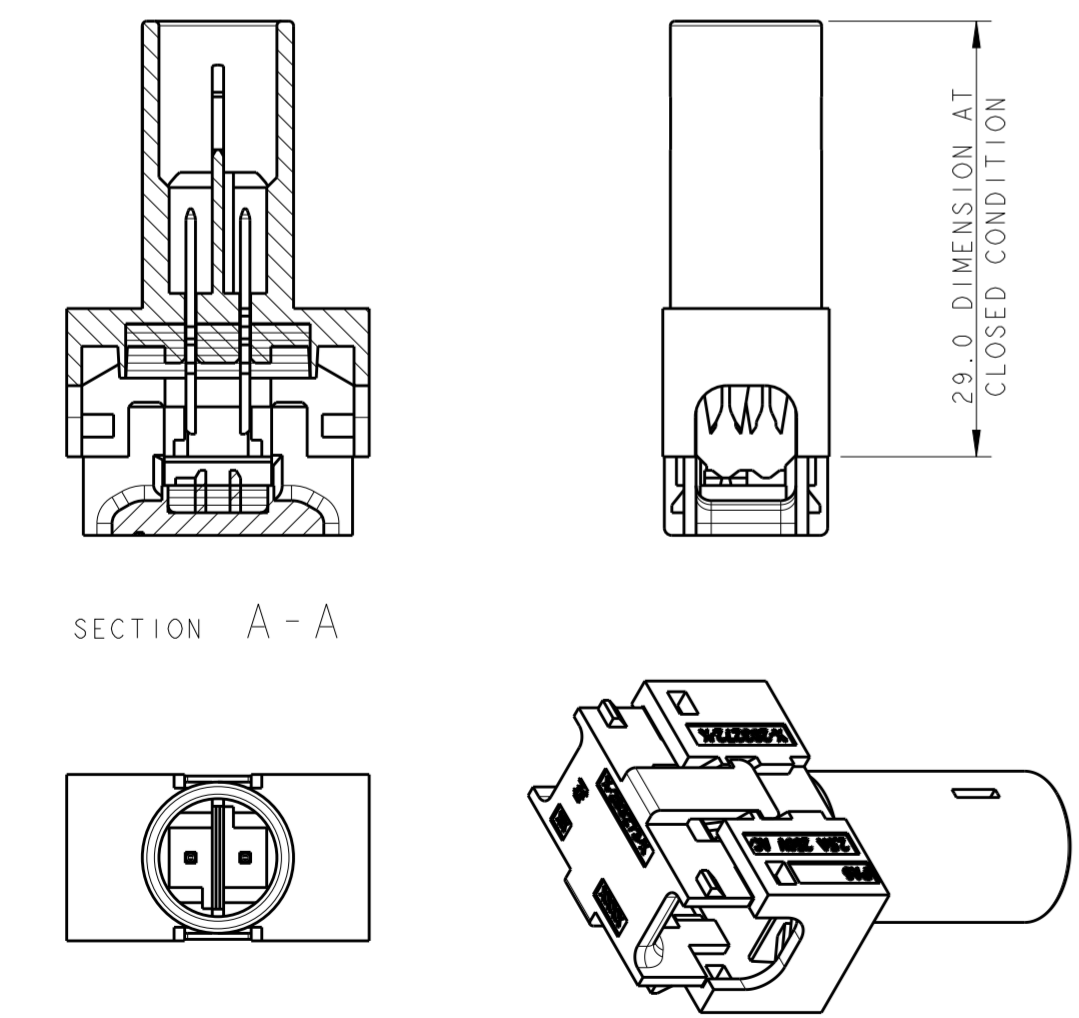
P/N 0-293270-1 AS SHOWN  
 POLARIZATION KEY HV-1



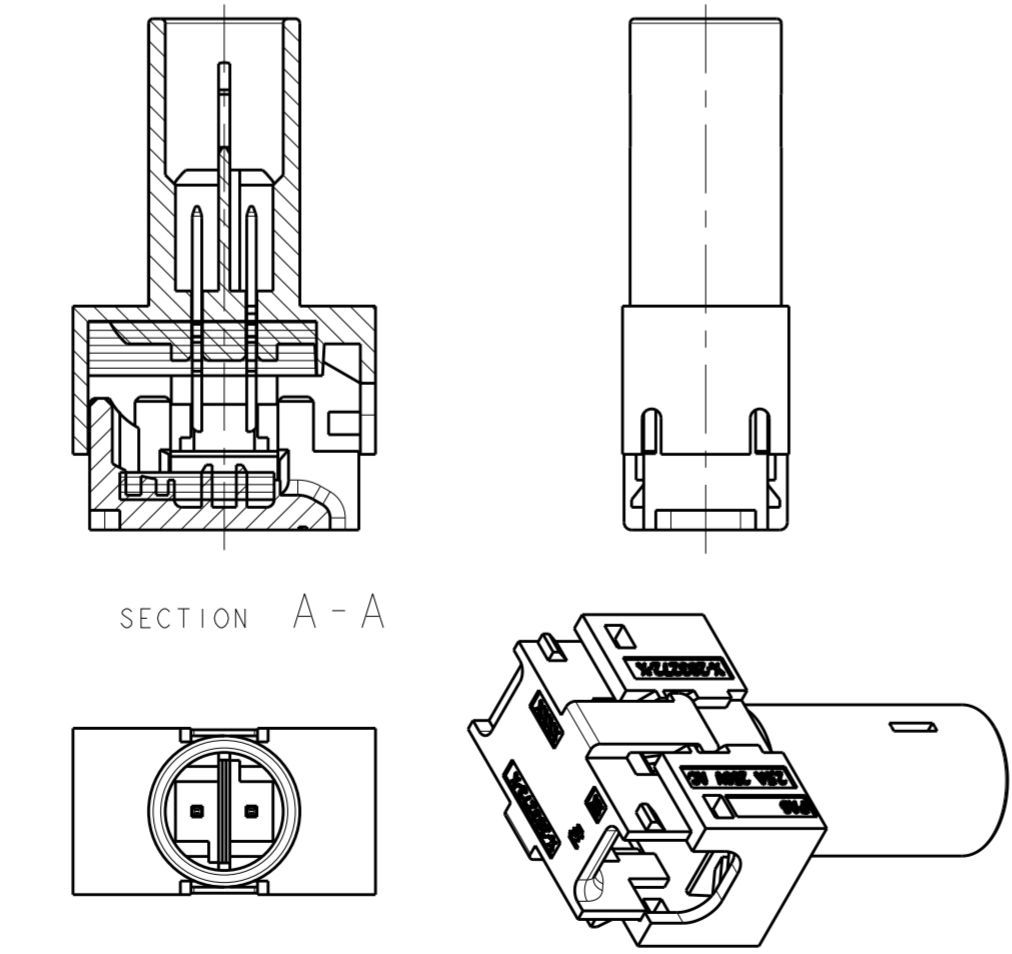
P/N 0-293270-2 AS SHOWN  
 POLARIZATION KEY HV-1



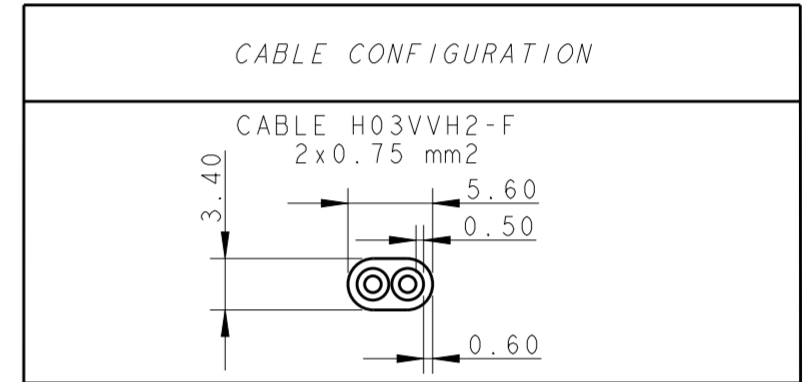
P/N 0-293270-3 AS SHOWN  
 POLARIZATION KEY HV-1



P/N 0-293270-4 AS SHOWN  
 POLARIZATION KEY HV-1



REVISIONS				
P	LTR	DESCRIPTION	DATE	APVD
S		REMOVED CABLE H05VVH2-F	22AUG2012	MZ JC
T		REVISED PER ECR-14-006605	21MAY2014	RS DD
V		ECR-14-018570	15DEC2014	KR JC
Y		REVISED PER ECR-17-008252	19JUN2017	RK JL



NOTES:  
 CONTACTS BRASS PRE TINNED  
 HOUSINGS POLYAMMIDE UL94 V0

NOTES	PART NUMBER	DESCRIPTION	POL. KEY	COLOR
	293270-9	END CONNECTOR WITHOUT FLANGE	HV-1	BLACK
	293270-8	END CONNECTOR WITHOUT FLANGE	LV-2	YELLOW
	293270-7	CONNECTOR WITHOUT FLANGE	LV-2	YELLOW
	293270-6	END CONNECTOR WITH FLANGE	LV-2	YELLOW
	293270-5	CONNECTOR WITH FLANGE	LV-2	YELLOW
	293270-4	END CONNECTOR WITHOUT FLANGE	HV-1	WHITE
	293270-3	CONNECTOR WITHOUT FLANGE	HV-1	WHITE
	293270-2	END CONNECTOR WITH FLANGE	HV-1	WHITE
	293270-1	CONNECTOR WITH FLANGE	HV-1	WHITE

MISSING DIMENSION SEE P/N 0-...-1

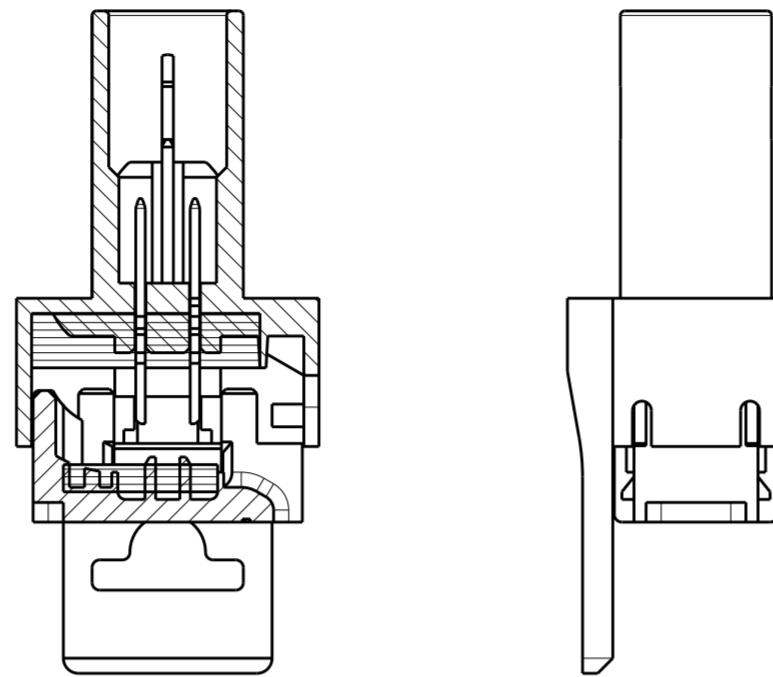
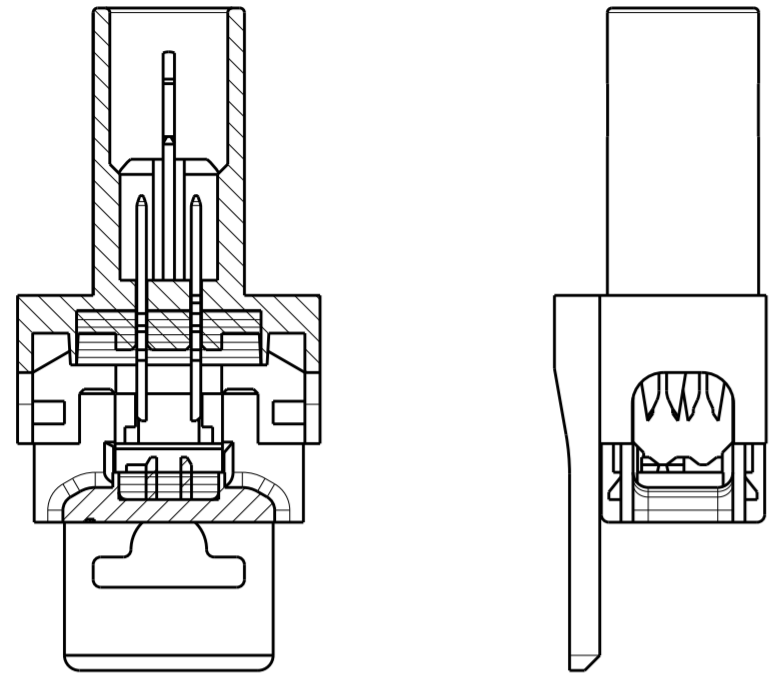
THIS DRAWING IS A CONTROLLED DOCUMENT.		DWN 18JAN2007 A. Vecchia	TE Connectivity NAME BUS BAR 2 POSITION SEALED
DIMENSIONS: mm		CHK 18JAN2007 G. Turco	
TOLERANCES UNLESS OTHERWISE SPECIFIED:		APVD 24MAY2007 G. Turco	
0 PLC ± 1 PLC ±0.3 2 PLC ±0.05 3 PLC ± 4 PLC ± ANGLES ± FINISH ±		PRODUCT SPEC 108-94018 APPLICATION SPEC 114-20131 WEIGHT - CUSTOMER DRAWING	
SCALE 2:1			RESTRICTED TO -
SHEET 1 OF 2			REV Y

THIS DRAWING IS UNPUBLISHED. RELEASED FOR PUBLICATION 20  
 © COPYRIGHT 20 BY - ALL RIGHTS RESERVED.

REVISIONS				
P	LTR	DESCRIPTION	DATE	APVD
-	-	SEE SHEET 1	-	-

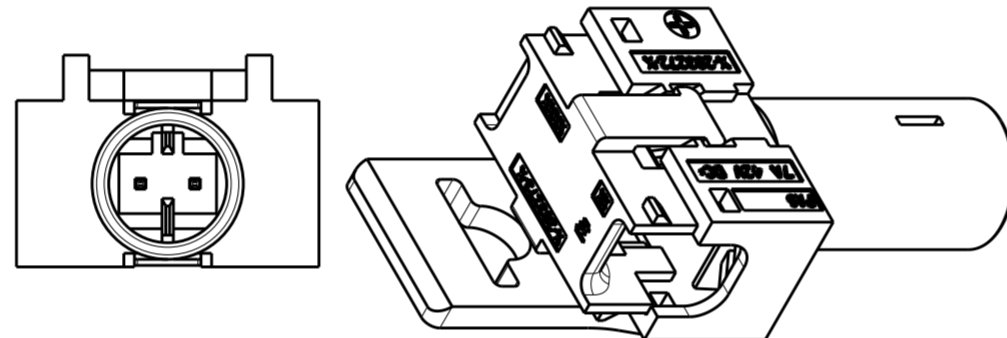
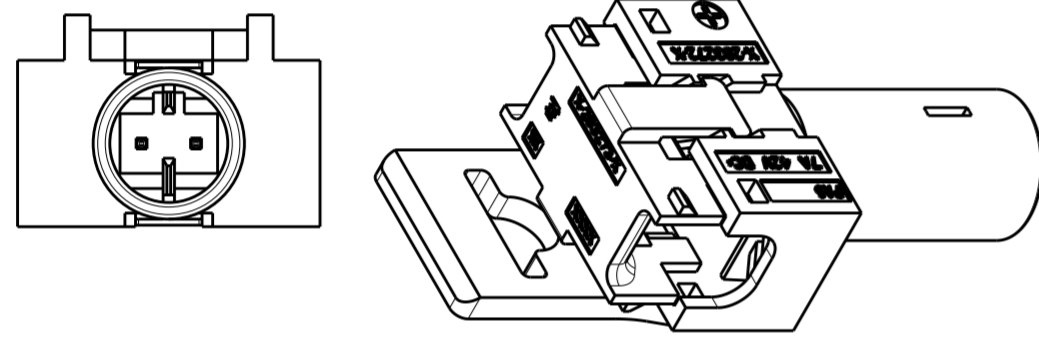
P/N 0-293270-5 AS SHOWN  
 POLARIZATION KEY LV-2

P/N 0-293270-6 AS SHOWN  
 POLARIZATION KEY LV-2



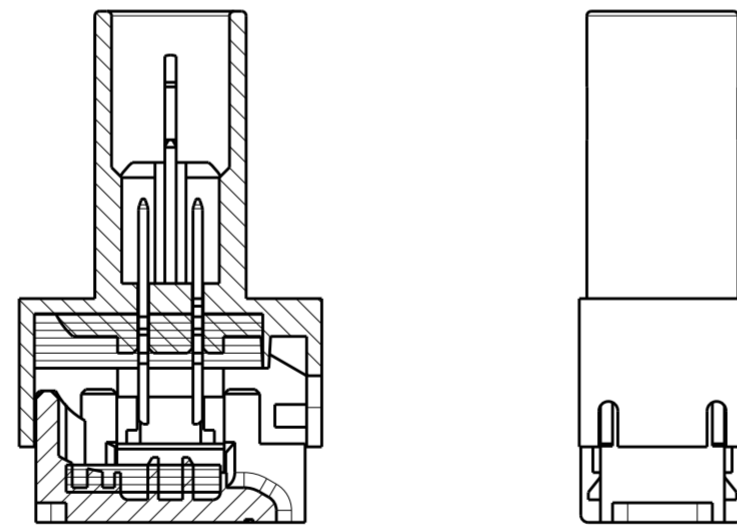
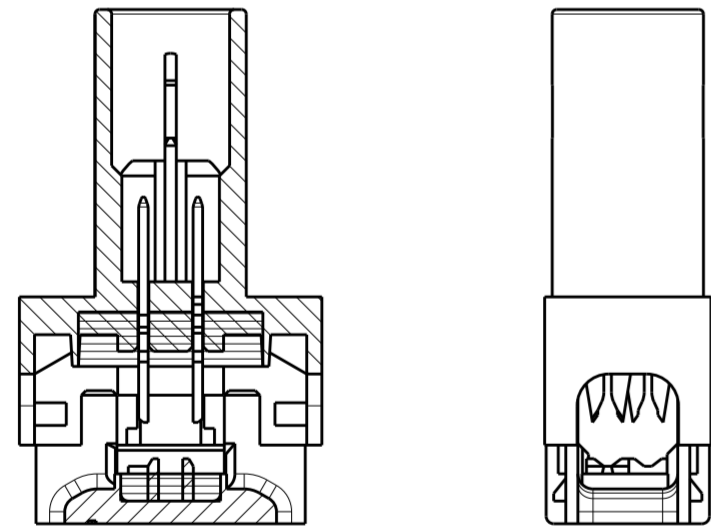
SECTION A - A

SECTION A - A



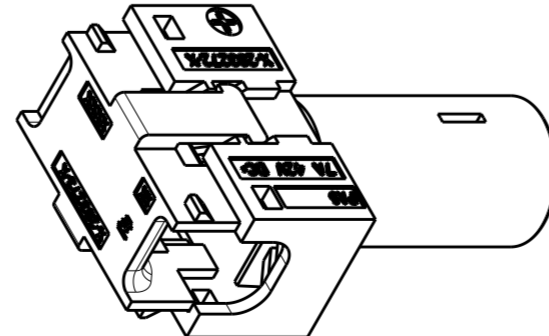
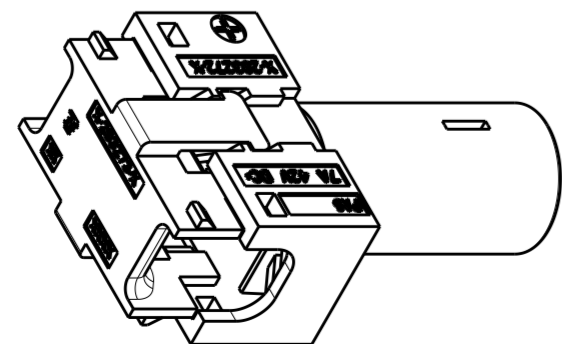
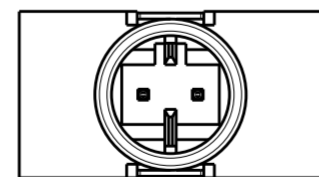
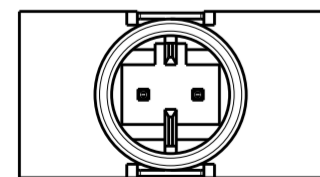
P/N 0-293270-7 AS SHOWN  
 POLARIZATION KEY LV-2


P/N 0-293270-8 AS SHOWN  
 POLARIZATION KEY LV-2



SECTION A - A

SECTION A - A



THIS DRAWING IS A CONTROLLED DOCUMENT.		DWN 18JAN2007 A. Vecchia	 TE Connectivity
DIMENSIONS: mm		CHK 18JAN2007 G. Turco	
TOLERANCES UNLESS OTHERWISE SPECIFIED:		APVD 24MAY2007 G. Turco	NAME BUS BAR 2 POSITION SEALED
0 PLC ±	1 PLC ±0.3	PRODUCT SPEC 108-94018	SIZE CAGE CODE DRAWING NO RESTRICTED TO
2 PLC ±0.05	3 PLC ±	APPLICATION SPEC 114-20131	A20779C-293270
4 PLC ±	ANGLES ±	WEIGHT -	SCALE 5:1 SHEET 2 OF 2 REV Y
MATERIAL FINISH -	CUSTOMER DRAWING		

# Mouser Electronics

Authorized Distributor

Click to View Pricing, Inventory, Delivery & Lifecycle Information:

[TE Connectivity:](#)

[293270-7](#)