

4

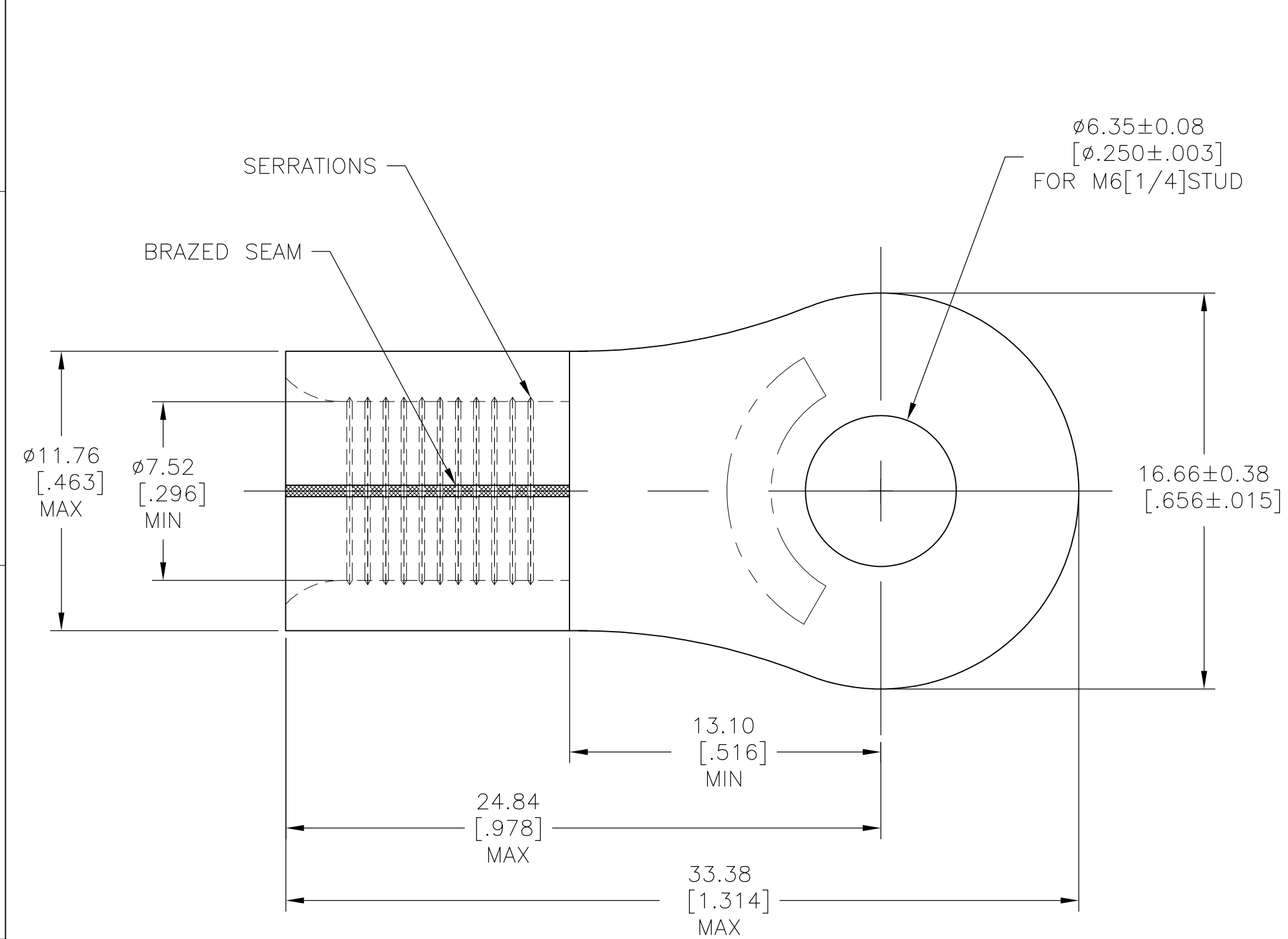
3

2

1

THIS DRAWING IS UNPUBLISHED. RELEASED FOR PUBLICATION
 © COPYRIGHT - By - ALL RIGHTS RESERVED.

LOC	DIST	REVISIONS			
P	LTR	DESCRIPTION	DATE	DWN	APVD
	A	REDRAWN PER ECO-12-018155	30JAN13	KH	DR



- 1 STAMP AMP 4 APPROX AS SHOWN
- 2 MATERIAL THICKNESS 1.78 ± 0.04 [.070 \pm .002]
- 3 MATERIAL: COPPER PER ASTM B152
- 4 FINISH: TIN PLATE PER ASTM B545

100	LOOSE PIECE	130560
QTY	PACKAGE TYPE	PART NO

AMP INCORPORATED CUSTOMER SERVICE SYSTEMS	
FOR ADDITIONAL PRODUCT INFORMATION OR COPIES OF DRAWINGS AND TECHNICAL DOCUMENTS	PRODUCT INFORMATION CENTER 1-800-522-6752
FOR APPLICATION TOOLING INFORMATION	TOOLING ASSISTANCE CENTER 1-800-722-1111
FOR ORDER ENTRY	1-800-526-5142

MAX RECOMMENDED OPERATING TEMPERATURE: 170°C [338°F] MAX
VOLTAGE RATING: N/A
WIRE: 16.8-26.7mm ² [33,100-52,600] CIR MILLS SOLID OR STRANDED

THIS DRAWING IS A CONTROLLED DOCUMENT.	
DIMENSIONS: mm [INCHES]	TOLERANCES UNLESS OTHERWISE SPECIFIED:
	0 PLC ± -
	1 PLC ± -
	2 PLC ± -
	3 PLC ± -
	4 PLC ± -
	ANGLES ± -
MATERIAL	FINISH
3	4

DWN	KIRAN HOLAL	30JAN13
CHK	ROHDE DANIEL	30JAN13
APVD	ROHDE DANIEL	30JAN13
PRODUCT SPEC	-	
APPLICATION SPEC	-	
WEIGHT	-	

TE Connectivity			
NAME TERMINAL, RING TONGUE, SOLISTRAND, 4 AWG			
SIZE	CAGE CODE	DRAWING NO	RESTRICTED TO
A3	00779	C-130560	-
CUSTOMER DRAWING		SCALE	SHEET
		5:1	1 OF 1
		REV	A

Mouser Electronics

Authorized Distributor

Click to View Pricing, Inventory, Delivery & Lifecycle Information:

[TE Connectivity:](#)

[130560](#)