



OD8015 Series

DC Fan - 12V, 24V
80 x 15mm (3.15 x .59in)



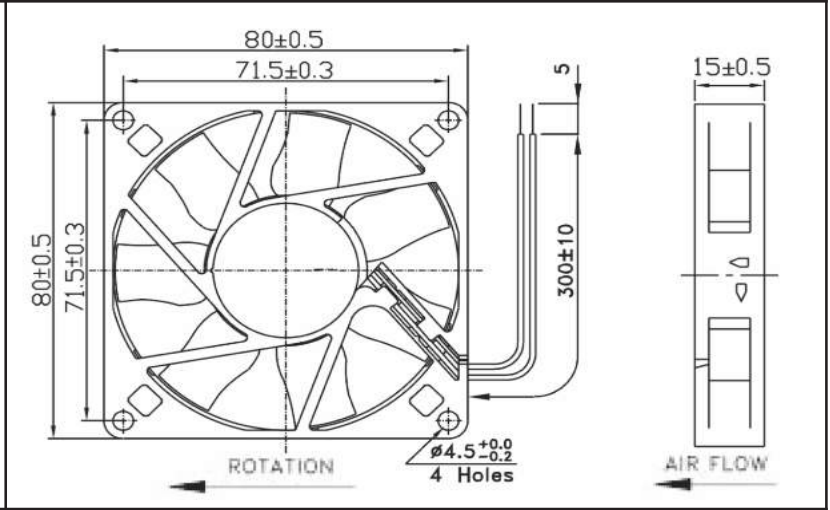
Model #	Pg #	Voltage	RPM	CFM	Noise Level	Max Static Pressure
OD8015-12H	2	12 VDC	3200	30	33 dB	.11 H ₂ O
OD8015-12M	2	12 VDC	2500	23	26 dB	.07 H ₂ O
OD8015-12L	2	12 VDC	2000	20	20 dB	.05 H ₂ O
OD8015-24H	2	24 VDC	3200	30	33 dB	.11 H ₂ O
OD8015-24M	2	24 VDC	2500	23	26 dB	.07 H ₂ O
OD8015-12HB01A	3	12 VDC	3200	30	33 dB	.12 H ₂ O
OD8015-12HB02A	4	12 VDC	3200	30	33 dB	.12 H ₂ O
OD8015-12MB02A	5	12 VDC	2440	22	25 dB	.08 H ₂ O
OD8015-24HB02A	6	24 VDC	3200	30	33 dB	.12 H ₂ O

** For some models and part numbers, minimum order quantities may apply.

OD8015 Series



DC Fan - 12, 24V
80x15mm (3.15"x 0.59")



Frame & Impeller	PBT, UL94V-0 plastic	Available Options: Tachometer Alarm 5V <u>Life Expectancy (L10)</u> Ball - 60,000 hrs (45C) Sleeve - 30,000 hrs (45C) <u>Operating Temperature</u> Ball: -20C ~ +80C Sleeve: -10C ~ +50C Weight: ~0.14 lbs m1	
Connection	2x Lead wires 24AWG		
Motor	Brushless DC, auto restart, impedance and polarity protected		
Bearing System	Ball bearing or Sleeve		
Insulation Resistance	10M ohm between leadwire and frame (500VDC)		
Dielectric Strength	1 minute at 500 VAC, max leakage < 500 MicroAmp		
Storage Temperature	-40C ~ +80C		

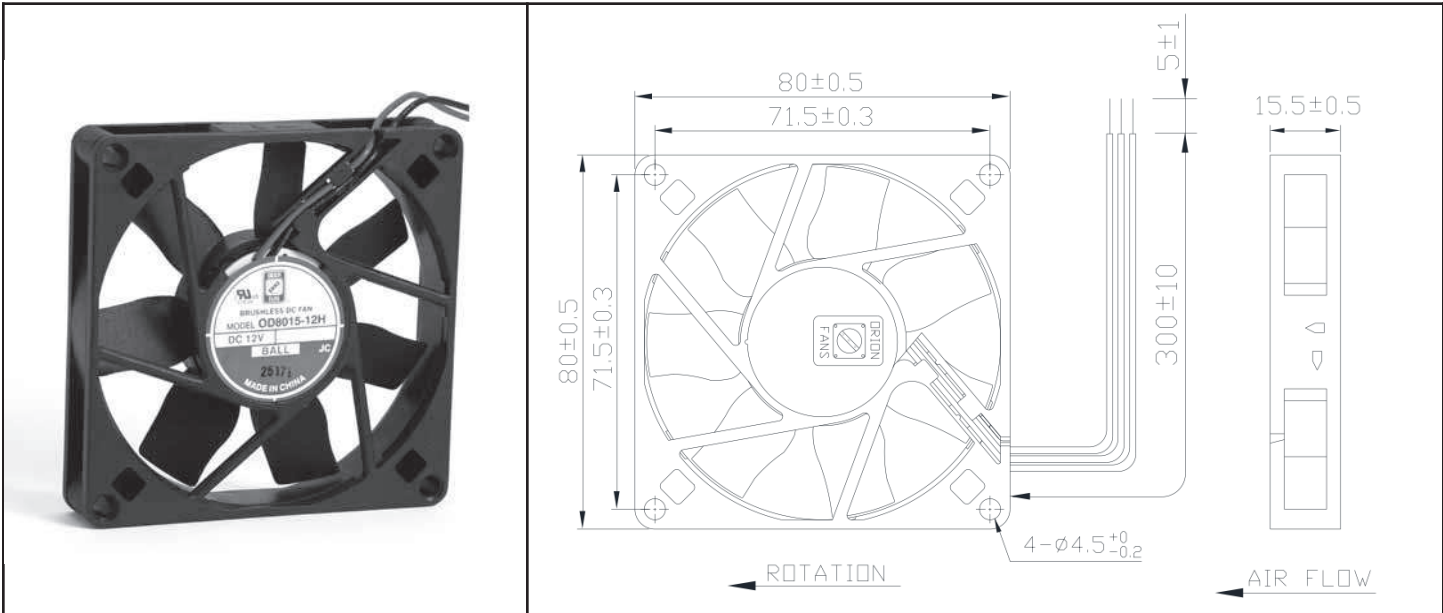
Model Number	Speed (RPM)	Airflow (CFM)	Noise (dB)	Volts DC	Voltage Range (VDC)	Amps	Max. Static Pressure ("H ₂ O)
OD8015-12H*	3200	30	33	12	10.8~13.2	0.18	0.11
OD8015-12M*	2500	23	26	12	10.8~13.2	0.12	0.07
OD8015-12L*	2000	20	20	12	10.8~13.2	0.09	0.05
OD8015-24H*	3200	30	33	24	22.6~26.4	0.10	0.11
OD8015-24M*	2500	23	26	24	22.6~26.4	0.08	0.07

* Indicate "B" for ball bearing or "S" for sleeve bearing

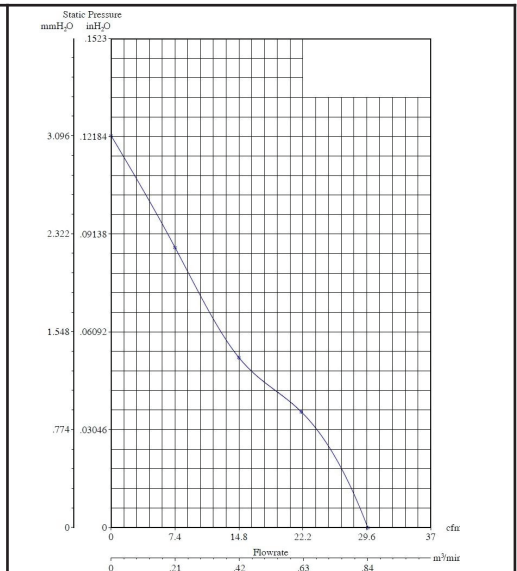
OD8015-12HB01A



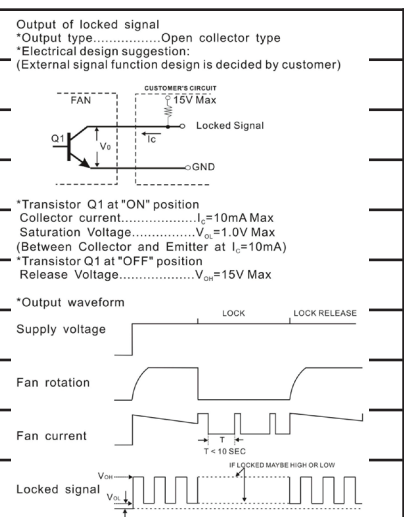
DC Fan, 12VDC
80x15mm (3.15x.59in)



Frame & Impeller	PBT, UL94V-0 plastic	Available Options IP55 Other speeds and voltages Alarm PWM *Connection: Wire Leads - UL1007 24AWG Red(+), Black (-), White Tachometer Weight: 62 g
Connection	3x Lead wires *	
Motor	Brushless DC, auto restart, polarity protected.	
Bearing System	Dual ball bearing	
Insulation Resistance	Min. 10M at 500VDC	
Dielectric Strength	1 second at 500VAC max leakage 500 microamp	
Temperature Range	-10C ~ +70C	
Storage Temperature	-40C ~ +80C	
Life (L10)	70,000 hours (40C)	



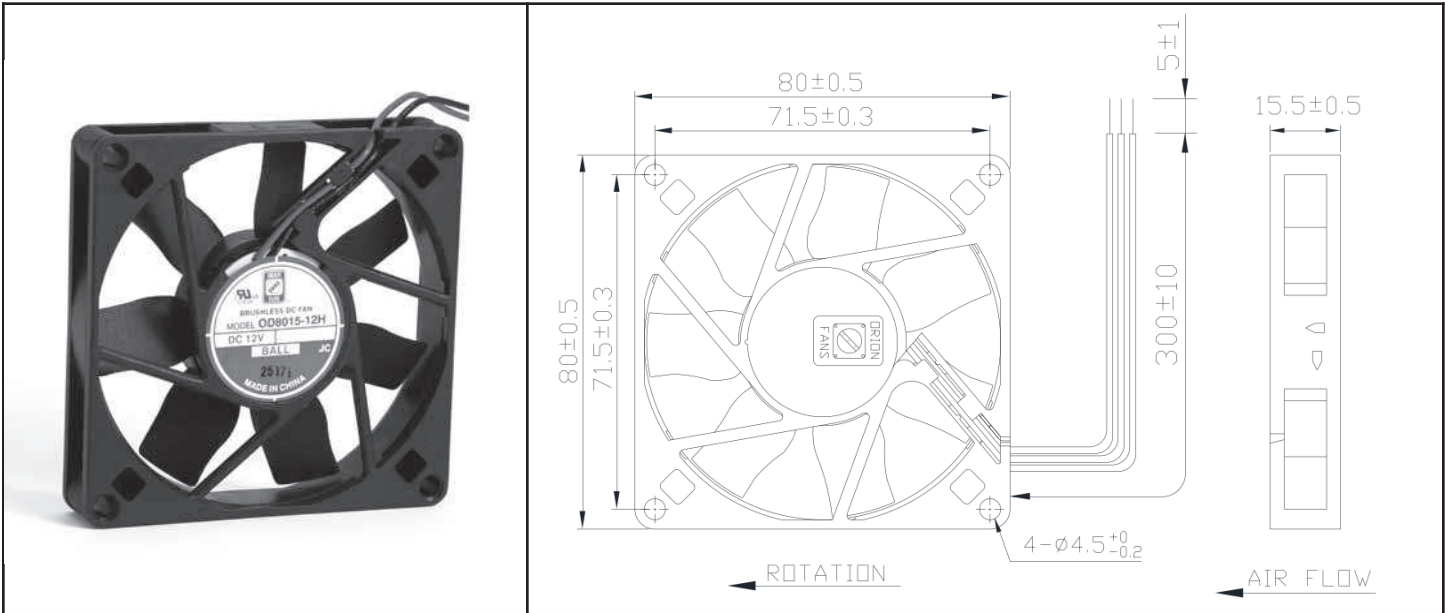
Model Number	OD8015-12HB01A
Part Number	181141221
Nominal Voltage	12 VDC
Voltage Range	7~13.2 VDC
Nominal Current	.11 A
Rated Power	2.28 Watts
Rated Speed (RPM)	3200
Airflow (CFM)	30
Noise Level (dB)	33
Max. Static Pressure	.12 "H ₂ O



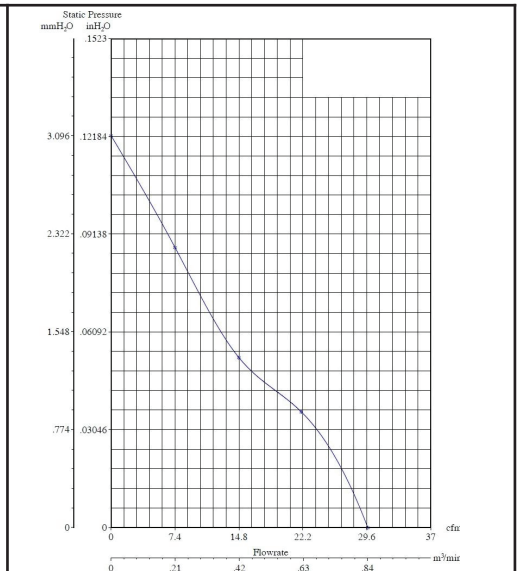
OD8015-12HB02A



DC Fan, 12VDC
80x15mm (3.15x.59in)



Frame & Impeller	PBT, UL94V-0 plastic	Available Options IP55 Other speeds and voltages Tachometer PWM *Connection: Wire Leads - UL1007 24AWG Red(+), Black (-), Yellow Alarm Weight: 62 g
Connection	3x Lead wires *	
Motor	Brushless DC, auto restart, polarity protected.	
Bearing System	Dual ball bearing	
Insulation Resistance	Min. 10M at 500VDC	
Dielectric Strength	1 second at 500VAC max leakage 500 microamp	
Temperature Range	-10C ~ +70C	
Storage Temperature	-40C ~ +80C	
Life (L10)	70,000 hours (40C)	



Model Number	OD8015-12HB02A
Part Number	181141231
Nominal Voltage	12 VDC
Voltage Range	7~13.2 VDC
Nominal Current	.10 A
Rated Power	2.28 Watts
Rated Speed (RPM)	3200
Airflow (CFM)	30
Noise Level (dB)	33
Max. Static Pressure	.12 "H ₂ O

Output of locked signal
 *Output type.....Open collector type
 *Electrical design suggestion:
 (External signal function design is decided by customer)

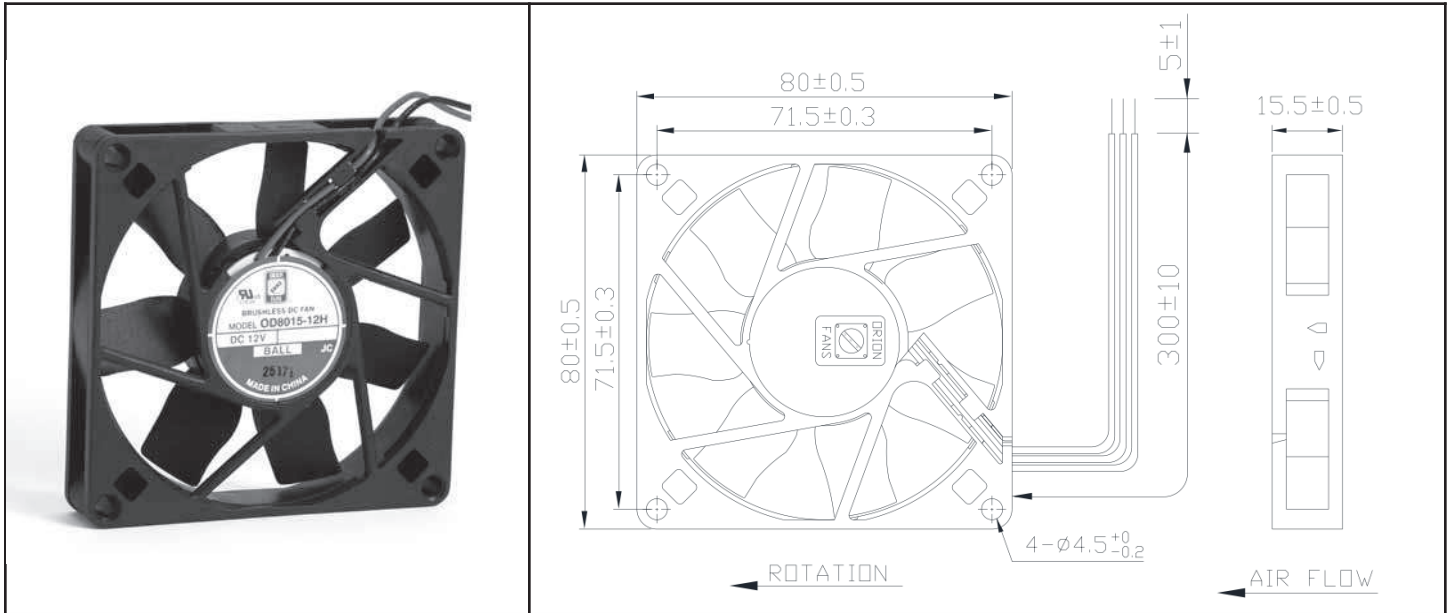
*Transistor Q1 at "ON" position
 Collector current.....I_c=5mA Max
 Saturation Voltage.....V_{ce}=1.0V Max
 (Between Collector and Emitter at I_c=5mA)
 *Transistor Q1 at "OFF" position
 Release Voltage.....V_{ce}=15V Max

*Output waveform

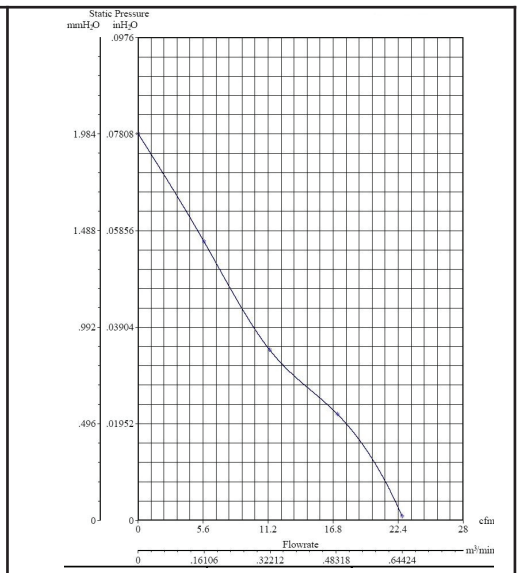
OD8015-12MB02A



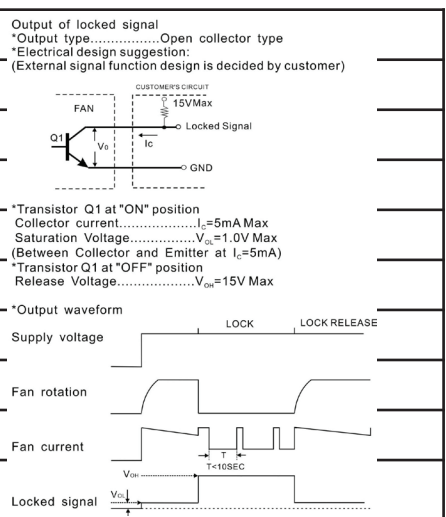
DC Fan, 12VDC
80x15mm (3.15x.59in)



Frame & Impeller	PBT, UL94V-0 plastic	Available Options IP55 Other speeds and voltages Tachometer PWM *Connection: Wire Leads - UL1007 24AWG Red(+), Black (-), Yellow Alarm Weight: 62 g
Connection	3x Lead wires *	
Motor	Brushless DC, auto restart, polarity protected.	
Bearing System	Dual ball bearing	
Insulation Resistance	Min. 10M at 500VDC	
Dielectric Strength	1 second at 500VAC max leakage 500 microamp	
Temperature Range	-10C ~ +70C	
Storage Temperature	-40C ~ +80C	
Life (L10)	70,000 hours (40C)	



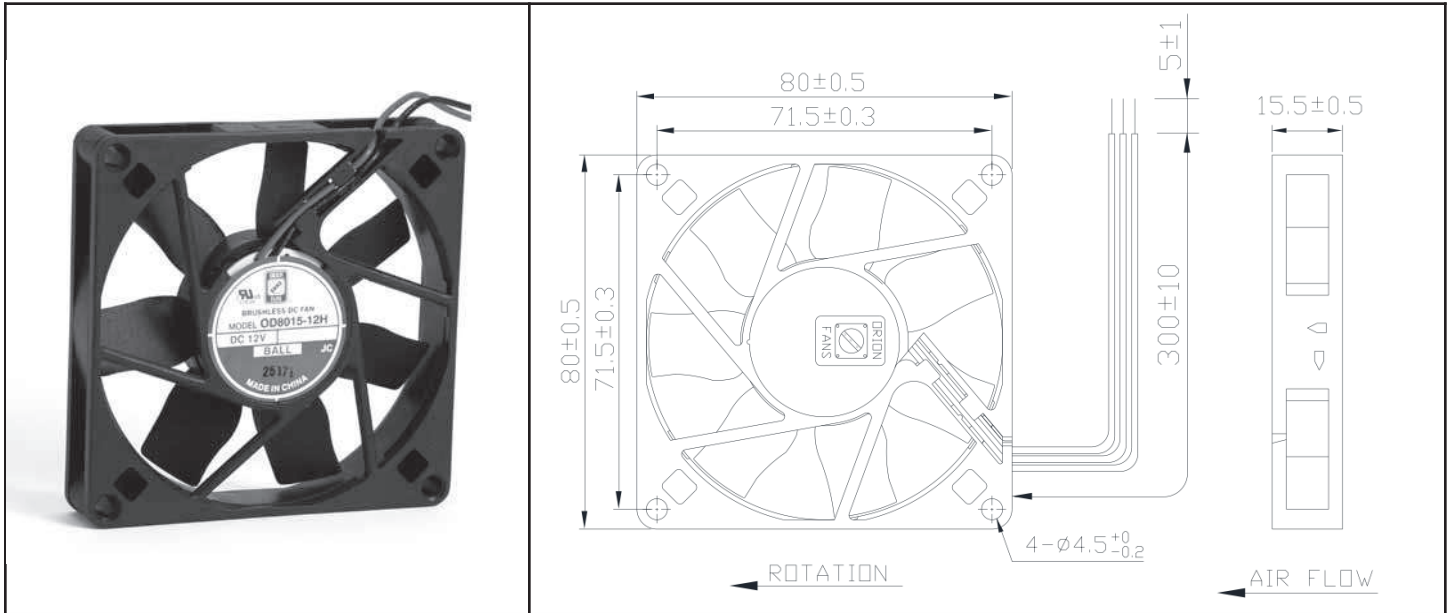
Model Number	OD8015-12MB02A
Part Number	181131231
Nominal Voltage	12 VDC
Voltage Range	7~13.2 VDC
Nominal Current	.05 A
Rated Power	1.8 Watts
Rated Speed (RPM)	2440
Airflow (CFM)	22
Noise Level (dB)	25
Max. Static Pressure	.08 "H ₂ O



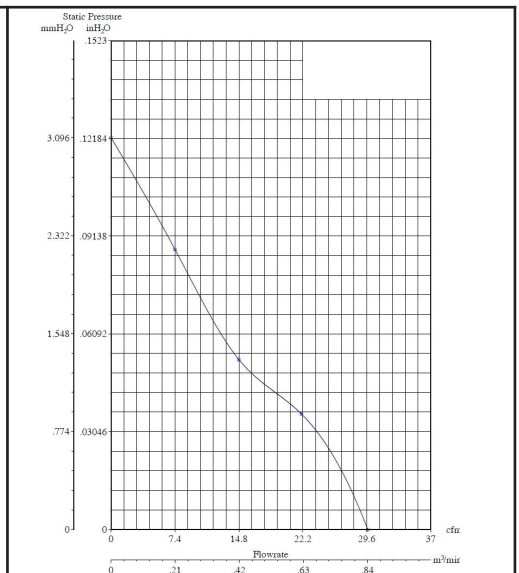
OD8015-24HB02A



DC Fan, 24VDC
80x15mm (3.15x.59in)



Frame & Impeller	PBT, UL94V-0 plastic	Available Options IP55 Other speeds and voltages Tachometer PWM *Connection: Wire Leads - UL1007 24AWG Red(+), Black (-), Yellow Alarm Weight: 62 g
Connection	3x Lead wires *	
Motor	Brushless DC, auto restart, polarity protected.	
Bearing System	Dual ball bearing	
Insulation Resistance	Min. 10M at 500VDC	
Dielectric Strength	1 second at 500VAC max leakage 500 microamp	
Temperature Range	-10C ~ +70C	
Storage Temperature	-40C ~ +80C	
Life (L10)	70,000 hours (40C)	



Model Number	OD8015-24HB02A
Part Number	181241231
Nominal Voltage	24 VDC
Voltage Range	17~26.4 VDC
Nominal Current	.08 A
Rated Power	3.36 Watts
Rated Speed (RPM)	3200
Airflow (CFM)	30
Noise Level (dB)	33
Max. Static Pressure	.12 "H ₂ O

Output of locked signal
 *Output type.....Open collector type
 *Electrical design suggestion:
 (External signal function design is decided by customer)

*Transistor Q1 at "ON" position
 Collector current.....I_c=10mA Max
 Saturation Voltage.....V_{ce}=1.0V Max
 (Between Collector and Emitter at I_c=10mA)
 *Transistor Q1 at "OFF" position
 Release Voltage.....V_{ce}=30V Max

*Output waveform

Mouser Electronics

Authorized Distributor

Click to View Pricing, Inventory, Delivery & Lifecycle Information:

Orion Fans:

[OD8015-12MS](#) [OD8015-12MB](#) [OD8015-12HS](#) [OD8015-12HB](#) [OD8015-12LB](#) [OD8015-12LS](#) [OD8015-24HB](#)
[OD8015-24HS](#) [OD8015-24LB](#) [OD8015-24MB](#) [OD8015-24MS](#) [OD8015-12HB-M4](#) [OD8015-24HB01A](#) [OD8015-](#)
[12HB01A](#) [OD8015-12MB02A](#) [OD8015-24HB02A](#) [OD8015-12HB02A](#) [OD8015-05LS](#) [OD8015-05LB](#)