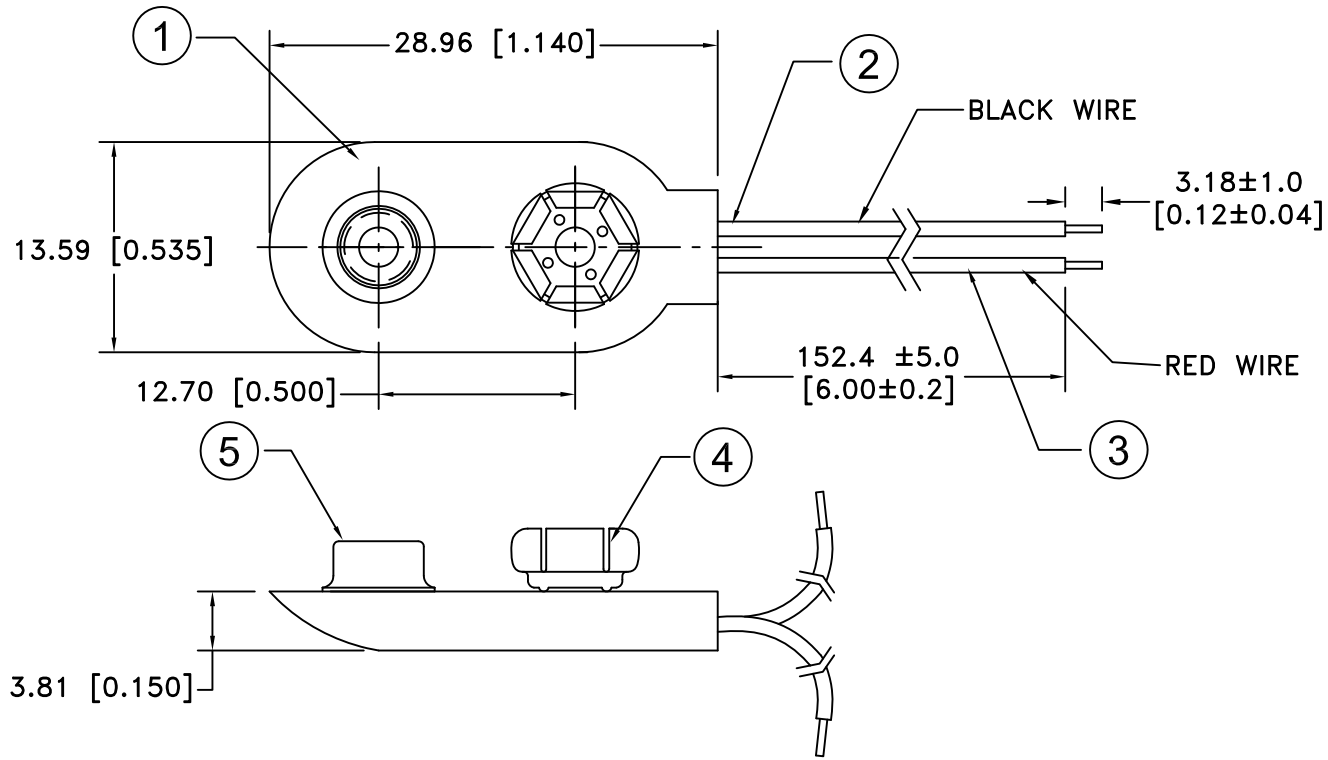


Date	SYM	REVISION RECORD	AUTH	DR.	CK.
10/28/06	A	ADDED "ROHS COMPLIANT"	T.B.	B.S.	
10/03/14	B	UPDATED TO ROHS 2 COMPLIANT	T.B.	B.S.	



NOTE:
ROHS 2 COMPLIANT

N0.	PART NAME	MATERIAL	QTY.	Tolerance (Except as noted)	MPD Memory Protection Devices, Inc 200 Broad Hollow Road, Farmingdale, New York 11735		
1	COVER	PVC COVER OVER FIBERBOARD	1	decimal ±.5 (.020)	Scale	Drawn By B.S.	
2	BLACK WIRE(-)	22 AWG, UL-1007, CSA TR-64, 300V, 80°C	1			Approved By T.B.	
3	RED WIRE (+)	22 AWG, UL-1007, CSA TR-64, 300V, 80°C	1	Fractional ± .8 (.030)	Title		
4	FEMALE SNAP	BRASS, NICKLE PLATED	1		9 VOLT BATTERY SNAP-I STYLE-6" WIRE LEADS, 22 AWG		
5	MALE SNAP	BRASS NICKLE PLATED	1		Date	Drawing Number	
				± 3°	10/03/14	BS6I-22	