

PLEASE CHECK WWW.MOLEX.COM FOR LATEST PART INFORMATION

Part Number: [0945120100](#)
Status: **Active**
Overview: Standard Quick-Disconnect Terminals
Description: Quick Disconnect, High Reliability Terminal (HRT), Female for (0.50-1.00mm²) 18-24 AWG Wire, Accepts 6.35 x 0.81mm Tab , Unplated

Documents:

[Drawing \(PDF\)](#) [RoHS Certificate of Compliance \(PDF\)](#)
[Product Specification PS-94512-002-001 \(PDF\)](#)

General

Product Family	Quick Disconnects
Series	94512
Crimp Quality Equipment	Yes
Insulated	No
Overview	Standard Quick-Disconnect Terminals
Product Name	N/A
Type	Quick Disconnect
UPC	800753536098

Physical

Barrel Type	Open
Gender	Female
Glow-Wire Capable	No
Insulation	None
Lock to Mating Part	None
Material - Metal	Brass
Material - Plating Mating	Unplated
Material - Plating Termination	Tin
Net Weight	0.690/g
Orientation	Straight
Packaging Type	Reel
Polarized to Mating Part	Yes
Tab Thickness	0.81mm
Tab Width	6.35mm
Temperature Range - Operating	-25° to +55°C
Termination Interface: Style	Crimp or Compression
Wire Insulation Diameter	3.30mm max.
Wire Size AWG	18, 20, 22, 24
Wire Size mm ²	0.50-1.00

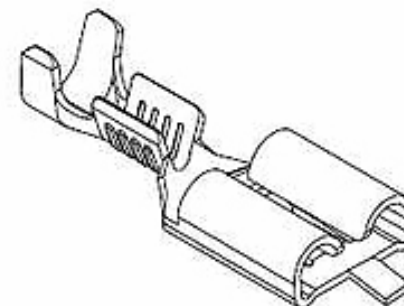
Electrical

Voltage - Maximum	250V
-------------------	------

Material Info

Reference - Drawing Numbers

Product Specification	PS-94512-002-001
Sales Drawing	SD-94512-004



Series image - Reference only

EU ELV

Compliant

EU RoHS

Compliant

REACH SVHC

Not Contained Per
-ED/88/2018 (15
January 2019)

Halogen-Free

Status

Low-Halogen

For more information, please visit [Contact US](#)

China ROHS

ELV

RoHS Phthalates

China RoHS

Green Image

Compliant

Not Contained

Search Parts in this Series

[94512](#) Series

Use With

[94090](#) Quick Disconnect Housing

Application Tooling | FAQ

Tooling specifications and manuals are found by selecting the products below. Crimp Height Specifications are then contained in the Application Tooling Specification document.

Global

Description	Product #
Mini-Mac Applicator Rear Feed	638060600
Mini-Mac Applicator Rear Feed	638060800
Hand Crimp Tool for Quick Disconnect, High Reliability Terminal (HRT)	638236300

This document was generated on 04/02/2019

PLEASE CHECK WWW.MOLEX.COM FOR LATEST PART INFORMATION

Mouser Electronics

Authorized Distributor

Click to View Pricing, Inventory, Delivery & Lifecycle Information:

[Molex:](#)

[94512-0100](#)