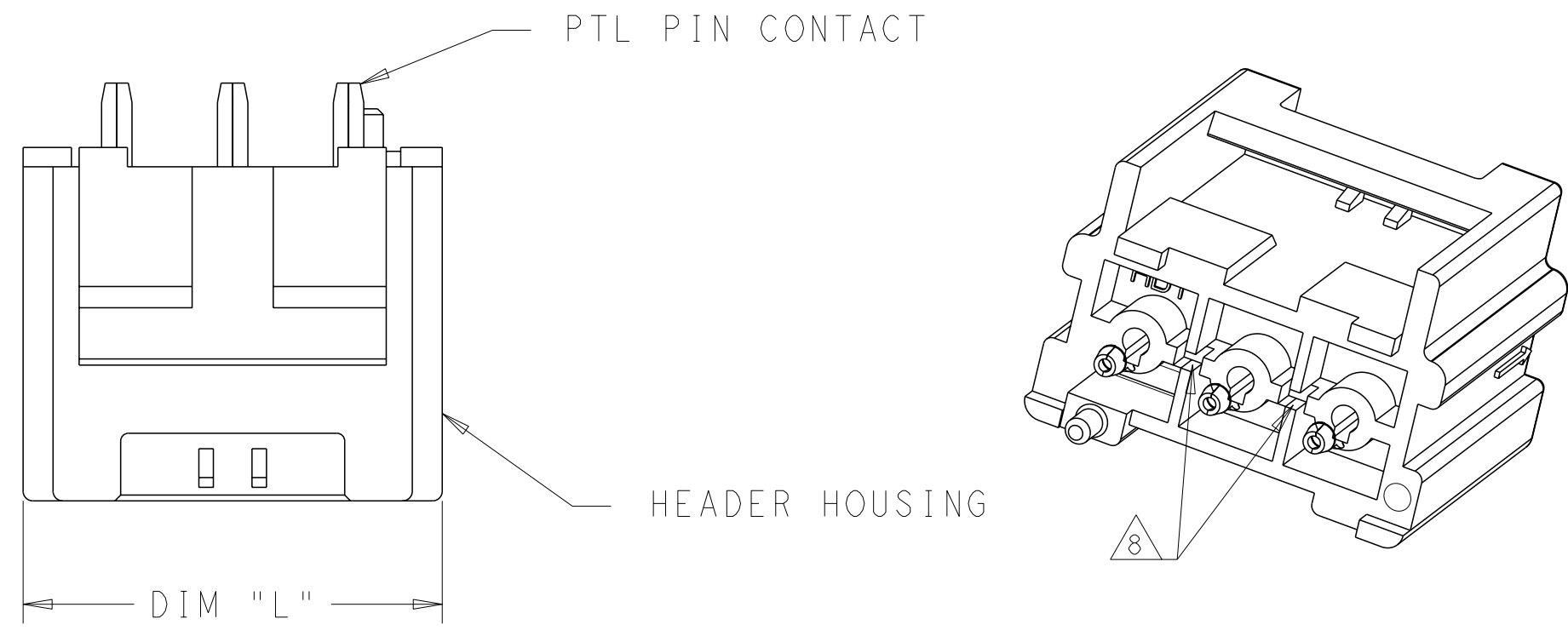
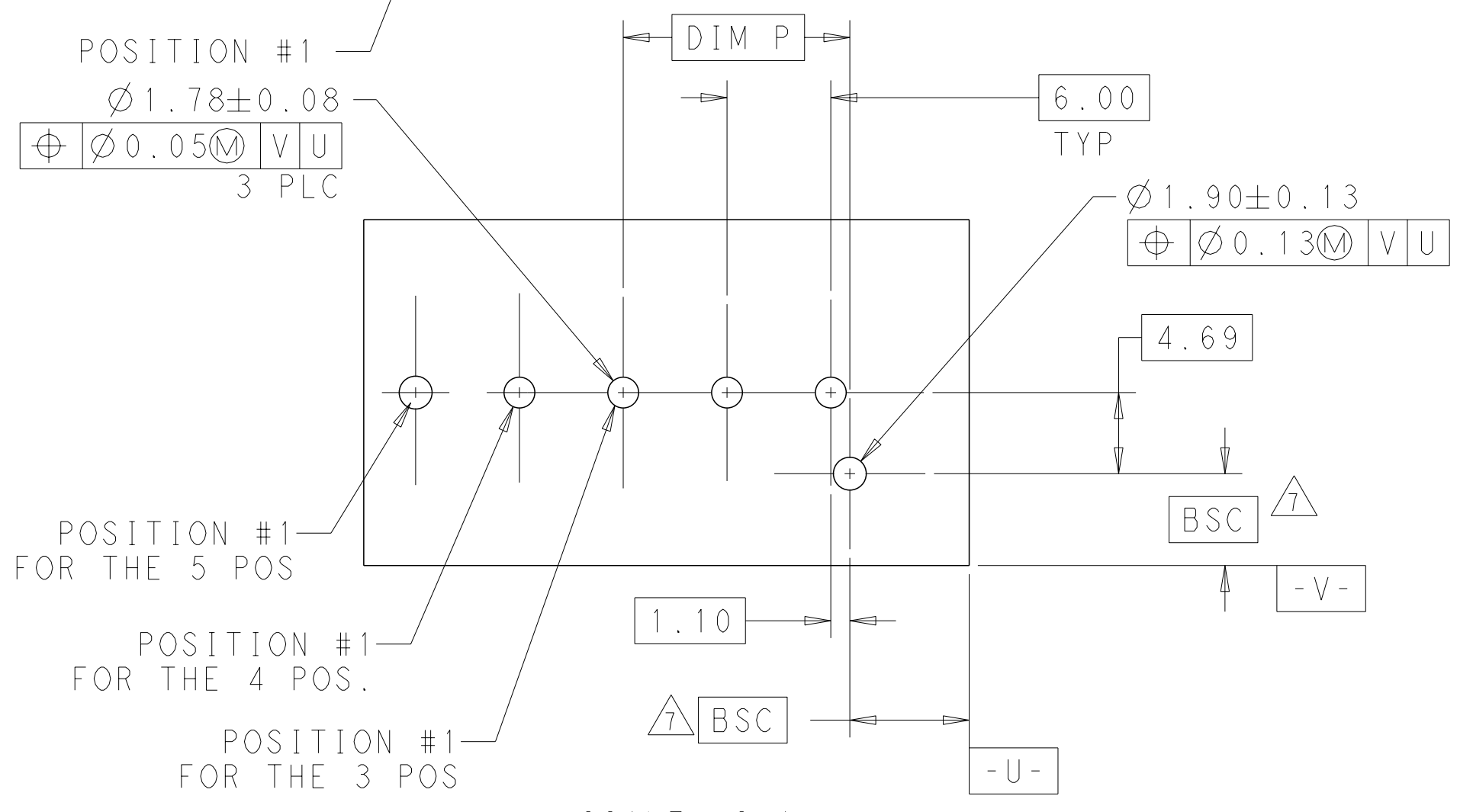
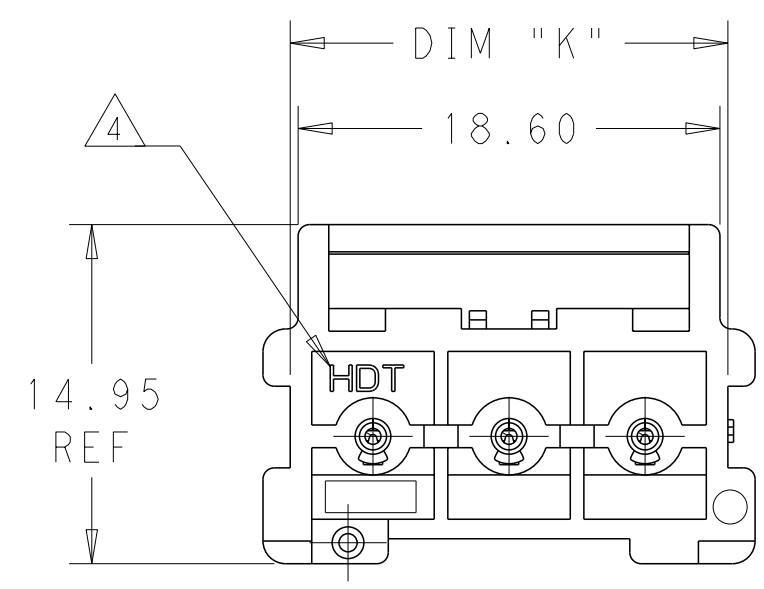
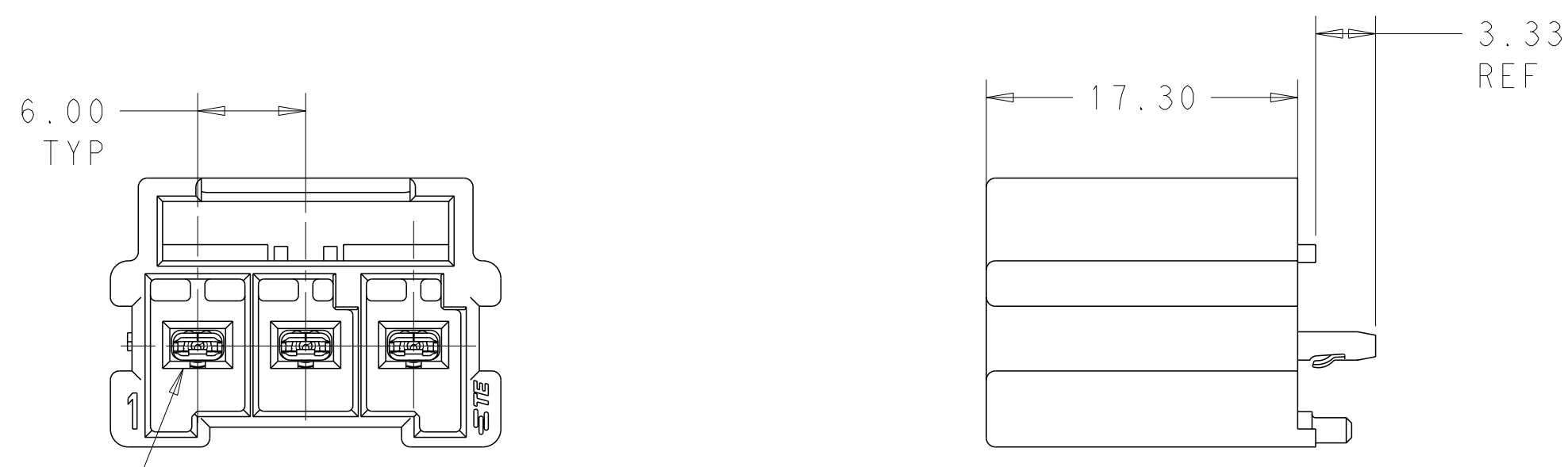


THIS DRAWING IS UNPUBLISHED. RELEASED FOR PUBLICATION
 © COPYRIGHT copyright.d8te- ALL RIGHTS RESERVED.

REVISIONS				
P	LTR	DESCRIPTION	DATE	APVD
B1		REVISED PER ECR-16-017647	08DEC2016	RS GJ



- 1 REFER TO TABLE ON SHEET 3 FOR RECOMMENDED MATING PLUG.
- 2 CAN BE SECURED TO THE PLUG WITH OPTIONAL CPA P/N 1971789-1.
- 3 FLAMMABILITY RATED PER UL 94 V-0.
- 4 LEVEL INDICATOR: PBT = STANDARD TEMP/GWT 105°C PBT GLASS FILLED
HDT = HIGH TEMP 150°C NYLON
- 5 PARTS COMPLY WITH SOLDERABILITY SPEC TEC-109-11-11-1.
- 6 THIS PRODUCT HAS NOT COMPLETED VALIDATION TESTING.
- 7 DATUM AND BASIC DIMENSION ESTABLISHED BY CUSTOMER.
- 8 FEATURE MAY NOT BE PRESENT ON HIGH TEMP VERSIONS
- 9 COMPLIES WITH GLOW WIRE REQUIREMENTS FOR PARTS OF NON-METALLIC MATERIALS SUPPORTING CURRENT CARRYING CONNECTIONS PER IEC-60335-1 SECTION 30 (GWT)



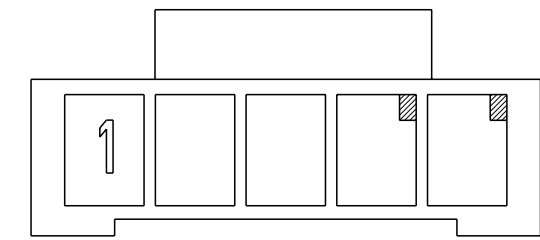
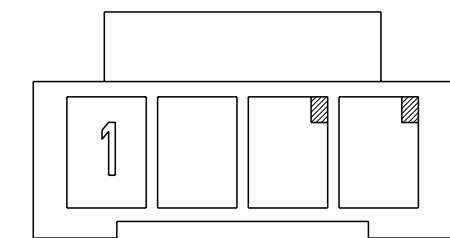
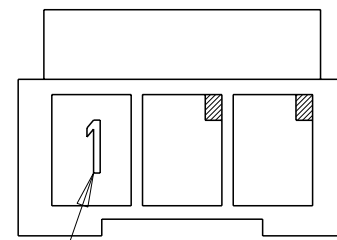
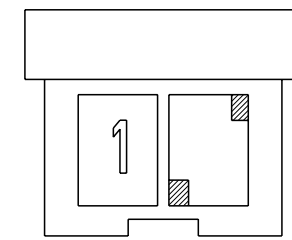
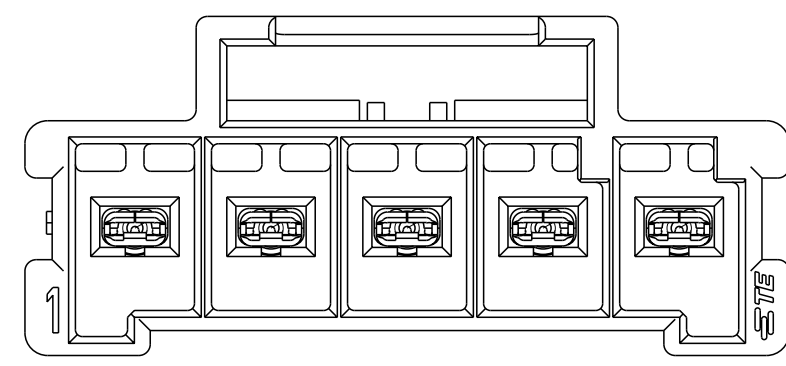
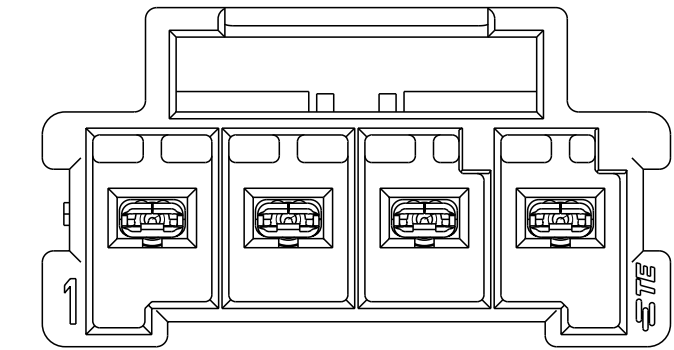
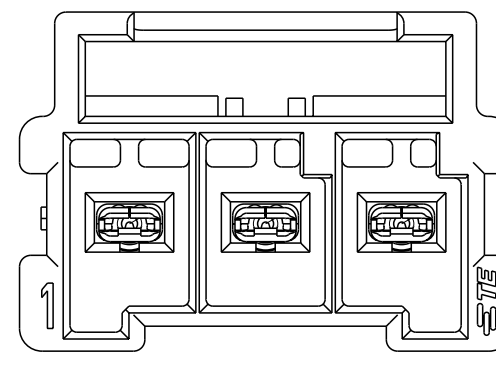
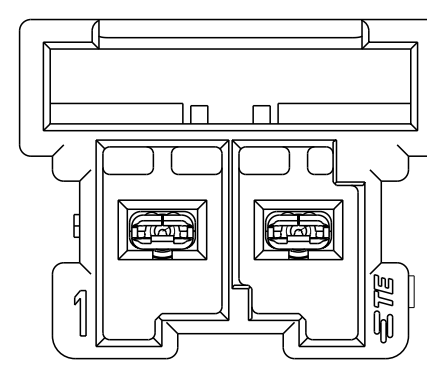
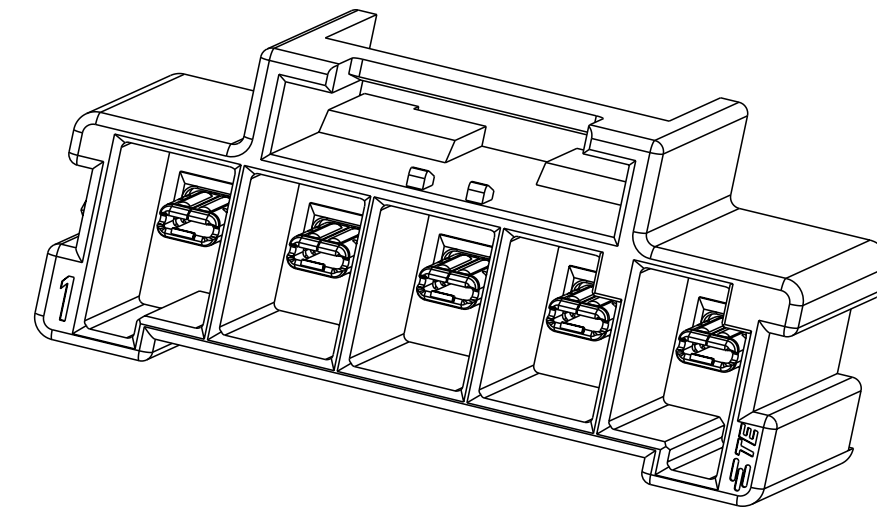
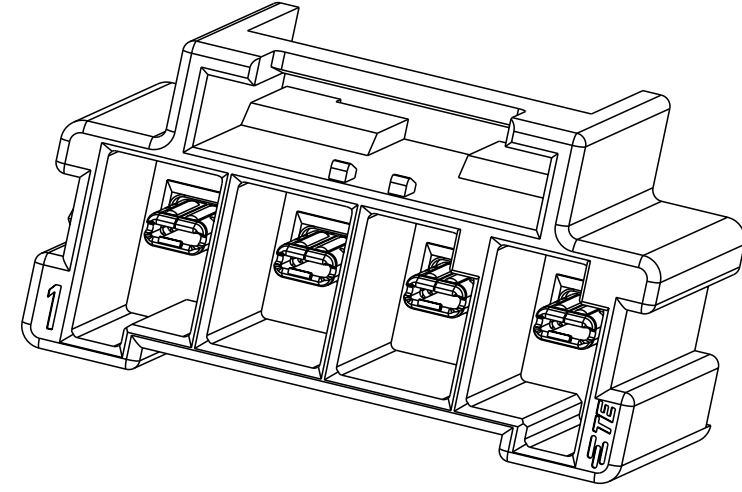
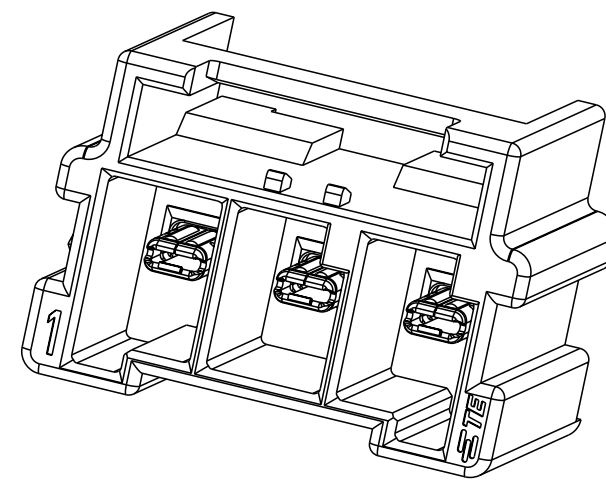
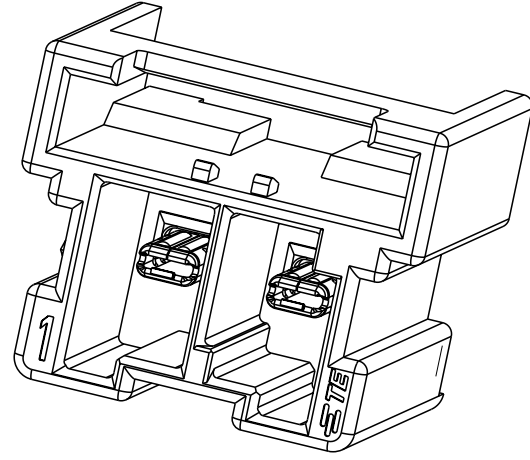
SCALE 3:1
 RECOMMENDED PCB LAYOUT
 WITH A 1.58 THK BOARD

SEE SHEET 3 FOR PART NUMBER TABLE

THIS DRAWING IS A CONTROLLED DOCUMENT.		DWN JR RUTH 05JUN14	TE Connectivity	
DIMENSIONS: mm		CHK DOMINIC FAROLE 05JUN14		
TOLERANCES UNLESS OTHERWISE SPECIFIED:		APVD GENE JACONO 05JUN14	NAME ASSEMBLY, HEADER, POWER TRIPLE LOCK, PC BOARD	
0 PLC ±		PRODUCT SPEC 108-32090	SIZE A2	
1 PLC ±0.3		APPLICATION SPEC 114-32136	CAGE CODE -	
2 PLC ±0.25		WEIGHT -	DRAWING NO C-1969688	
3 PLC ±		RESTRICTED TO -		
4 PLC ±		SCALE 3:1 SHEET 1 OF 3 REV B1		
ANGLES ±		Customer Drawing		
FINISH PRE-TIN				

THIS DRAWING IS UNPUBLISHED. RELEASED FOR PUBLICATION
 © COPYRIGHT copyright.d8te- ALL RIGHTS RESERVED.

REVISIONS				
P	LTR	DESCRIPTION	DATE	APVD
-		SEE SHEET 1	-	-

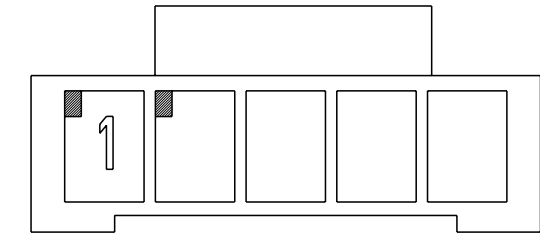
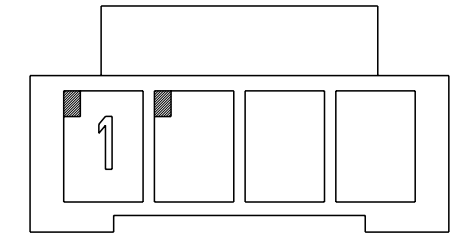
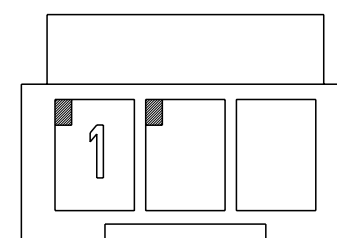
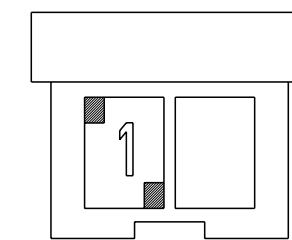


KEY A
SCALE 2:1

POSITION # KEY A
SCALE 2:1

KEY A
SCALE 2:1

KEY A
SCALE 2:1




KEY B
SCALE 2:1

KEY B
SCALE 2:1

KEY B
SCALE 2:1

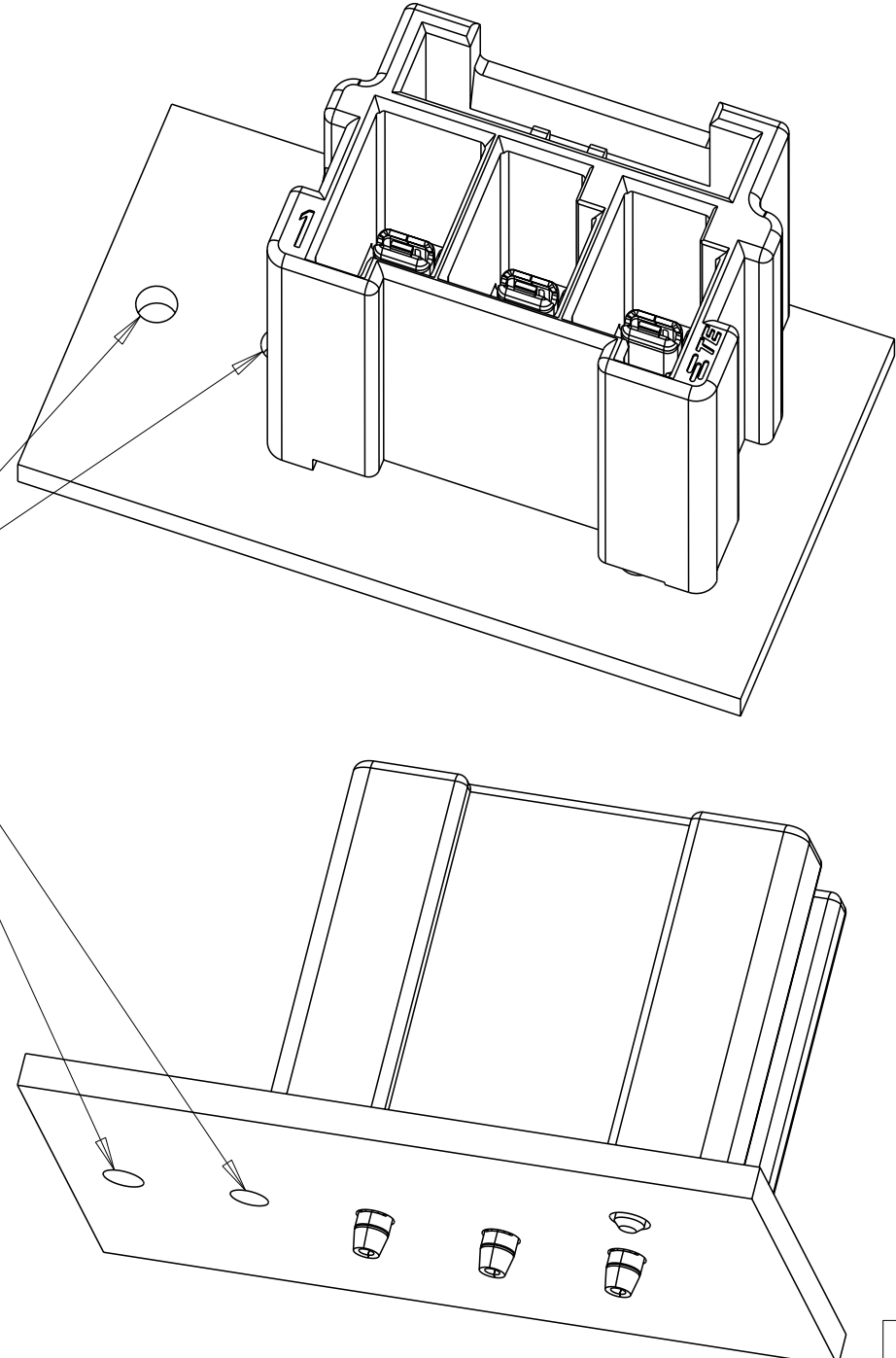
KEY B
SCALE 2:1

THIS DRAWING IS A CONTROLLED DOCUMENT.		DWN JR RUTH 05JUN14	 TE Connectivity
DIMENSIONS: mm		CHK DOMINIC FAROLE 05JUN14	
TOLERANCES UNLESS OTHERWISE SPECIFIED:		APVD GENE JACONO 05JUN14	NAME ASSEMBLY, HEADER, POWER TRIPLE LOCK, PC BOARD
0 PLC ±		PRODUCT SPEC 108-32090	SIZE A2
1 PLC ±0.3		APPLICATION SPEC 114-32136	CAGE CODE -
2 PLC ±0.25		WEIGHT -	DRAWING NO C-1969688
3 PLC ±		MATERIAL SEE TABLE	RESTRICTED TO -
4 PLC ±		FINISH PRE-TIN	SCALE 3:1
ANGLES ±		Customer Drawing	SHEET 2 OF 3
FINISH			REV B1

THIS DRAWING IS UNPUBLISHED. RELEASED FOR PUBLICATION
 © COPYRIGHT copyright.d8te ALL RIGHTS RESERVED.

REVISIONS				
P	LTR	DESCRIPTION	DATE	APVD
-	-	SEE SHEET 1	-	-

ADDITIONAL HOLES FOR 4 AND 5 POSITION HEADERS. NOT REQUIRED IF ONLY 3 POSITION IS USED.



3 POSITION SHOWN ON PC BOARD, BOARD NOT SUPPLIED (ILLUSTRATION ONLY)

6-1971773-7	COPPER ALLOY	NYLON 150°C	5	25.10	33.7	31.3	RED	B	2-1969688-5
6-1971773-4			4	19.10	27.7	25.3	RED	B	2-1969688-4
6-1971773-3			3	13.10	21.7	19.3	RED	B	2-1969688-3
6-1971773-2			2	7.10	15.7	13.3	RED	B	2-1969688-2
5-1971773-7	COPPER ALLOY	NYLON 150°C	5	25.10	33.7	31.3	LIGHT GREY	A	1-1969688-5
5-1971773-4			4	19.10	27.7	25.3	LIGHT GREY	A	1-1969688-4
5-1971773-3			3	13.10	21.7	19.3	LIGHT GREY	A	1-1969688-3
9-1971773-2			2	7.10	15.7	13.3	LIGHT GREY	A	1-1969688-2
1-1971773-7 5-2232265-7	COPPER ALLOY	PBT GF 105°C	5	25.10	33.7	31.3	NATURAL	A	△ ₉ 1969688-5
1-1971773-4 5-2232265-4			4	19.10	27.7	25.3	NATURAL	A	△ ₉ 1969688-4
1-1971773-3 5-2232265-3			3	13.10	21.7	19.3	NATURAL	A	△ ₉ 1969688-3
1-1971773-2 5-2232265-2			2	7.10	15.7	13.3	NATURAL	A	△ ₉ 1969688-2
MATING PLUG	CONTACT MATERIAL	HOUSING MATERIAL	NO. OF POS.	DIM P	DIM L	DIM K	COLOR	KEY	PART NUMBER

THIS DRAWING IS A CONTROLLED DOCUMENT.

DWN	JR RUTH	05JUN14
CHK	DOMINIC FAROLE	05JUN14
APVD	GENE JACONO	05JUN14
PRODUCT SPEC	108-32090	
APPLICATION SPEC	114-32136	
WEIGHT	-	

STE TE Connectivity

NAME: ASSEMBLY, HEADER, POWER TRIPLE LOCK, PC BOARD

SIZE: A2 CAGE CODE: - DRAWING NO: C-1969688 RESTRICTED TO: -

SCALE: 3:1 SHEET 3 OF 3 REV B1

Mouser Electronics

Authorized Distributor

Click to View Pricing, Inventory, Delivery & Lifecycle Information:

[TE Connectivity:](#)

[1-1969688-2](#)