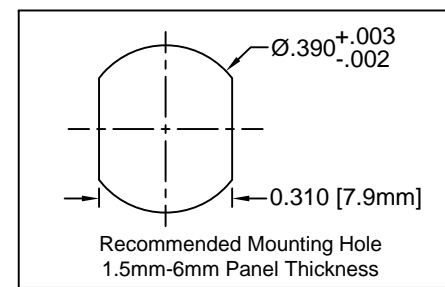
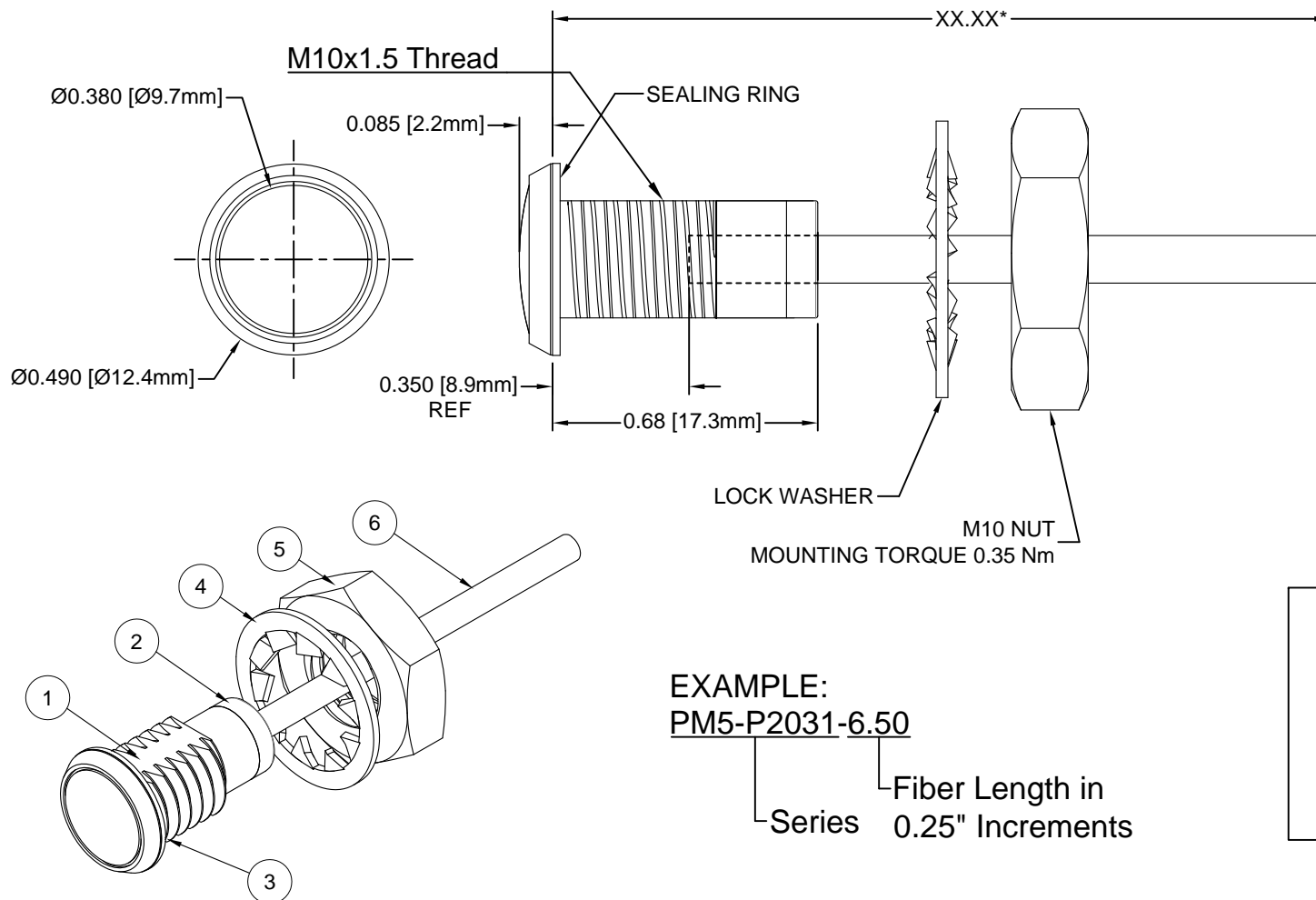

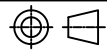


ITEM	Q'TY	PART NUMBER	PART DESCRIPTION
1	1	PM5-PL	5mm Polycarbonate Panel Mount Housing
2	1	PM5-FP31	3.1mm to 5mm Flexible Light Pipe Adapter
3	1	PM5-VS	5mm Sealing Ring
4	1	WASH-1008	10mm Internal Tooth Lock Washer
5	1	NUT-1003	10mm Thin Nut
6	1	FLPS2031-X.XXX	2mm x 3.1mm Flexible Light Pipe

REV.	DESCRIPTION	DATE	APPROVED
B	Engineering Release	06/19/12	T. Y.
C	Updated Descriptions	03/21/13	T. Y.
D	Corrected Length Call Out & Updated Title	08/23/16	J. C.



- NOTES:**
1. SEALED TO IP67 RATING
 2. ROHS COMPLIANT
 3. MOUNTING HARDWARE SHIPPED NON-ASSEMBLED
 4. INSERT SEALING RING ON PANEL MOUNT PRIOR TO PANEL INSERTION

STANDARD TOLERANCE (UNLESS OTHERWISE SPECIFIED)		 4 THOMAS, IRVINE, CA. 92618 TEL: (949) 951-8808 FAX: (949) 951-3974	
DECIMALS	ANGULAR		
.X ± .1	X° ± 1°	 TITLE: IP67 Rated Panel Mount Flexible Light Pipe Indicator	
.XX ± .02			
.XXX ± .010		PART NO: PM5-P2031-XX.XX REVISION: D	
DESIGNED: B. Oliver	DATE: 04/12/12	CAGE CODE : 32559 SHEET # 1 OF 1	
CHECKED: T. Yin	DATE: 04/12/12	CAD GENERATED DOCUMENT. DO NOT MEASURE DRAWING.	

Mouser Electronics

Authorized Distributor

Click to View Pricing, Inventory, Delivery & Lifecycle Information:

[BIVAR:](#)

[PM5-P2031-10.00](#)