

Customer Information Sheet

DRAWING No.: M20-977XXX

SHEET 2 OF 2

IF IN DOUBT - ASK

Ⓒ

NOT TO SCALE

THIRD ANGLE PROJECTION

ALL DIMENSIONS IN mm

NOTES:

1. RECOMMENDED PCB MOUNTING HOLE SIZE = $\varnothing 1.00\text{mm}$.
2. ALL TOLERANCES ARE $\pm 0.25\text{mm}$ UNLESS OTHERWISE STATED.
3. FOR COMPLETE SPECIFICATION, SEE COMPONENT SPECIFICATION C001XX (LATEST ISSUE).

SPECIFICATION:

MATERIAL:
 MOULDING = PA6T UL94V-0, BLACK
 PINS = BRASS

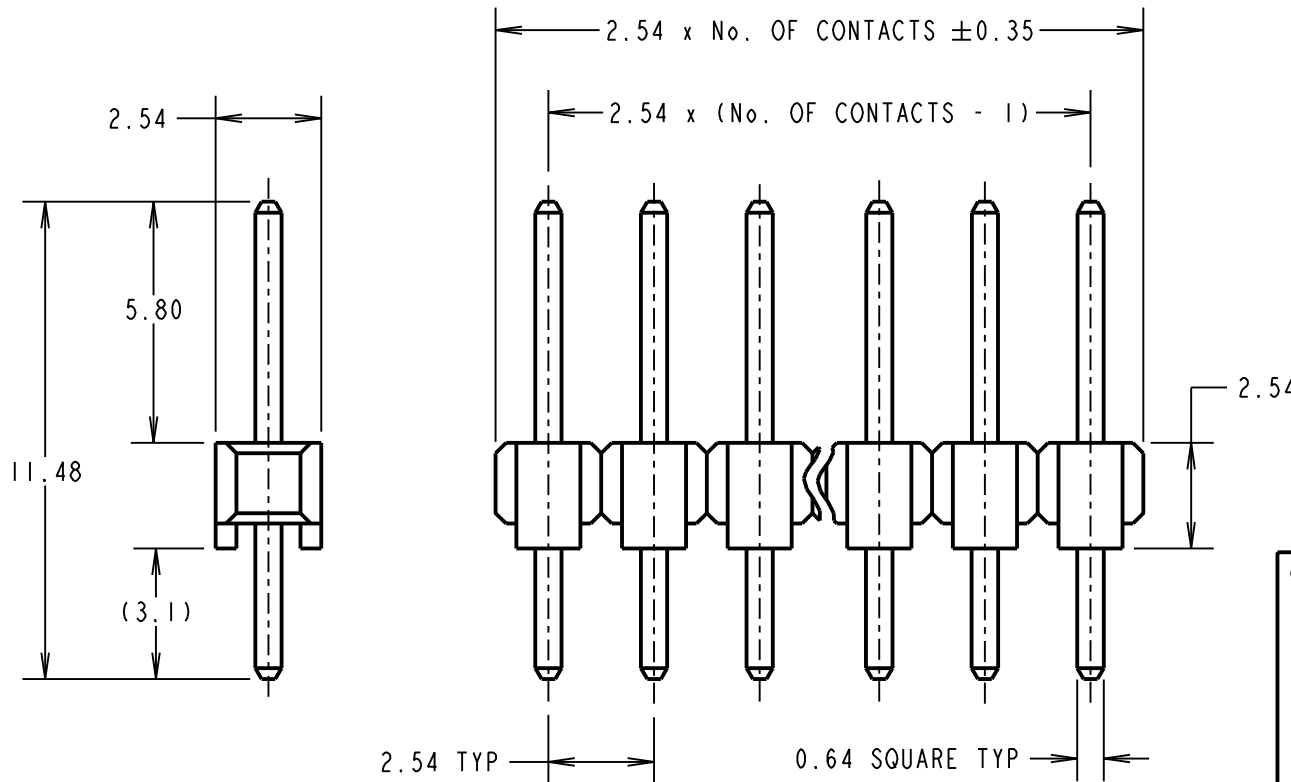
FINISH:
 PINS (OVER NICKEL):
 42 = GOLD ON CONTACT AREA,
 100% TIN ON TAILS
 46 = 100% TIN

ELECTRICAL:
 CURRENT RATING = 3A MAX
 CONTACT RESISTANCE = $25\text{m}\Omega$ MAX (GOLD),
 $30\text{m}\Omega$ MAX (TIN)
 INSULATION RESISTANCE = $1,000\text{M}\Omega$ MIN
 DIELECTRIC STRENGTH = 750V AC/DC

MECHANICAL:
 DURABILITY = 300 OPERATIONS (GOLD),
 50 OPERATIONS (TIN)

ENVIRONMENTAL:
 TEMPERATURE RANGE = -40°C TO $+105^{\circ}\text{C}$

PACKING:
 BAG



ORDER CODE:
M20-977XXX

No. OF CONTACTS: _____
 02 TO 20, 25, 26,
 32, 36, 40

FINISH: _____
 42 = SELECTIVE GOLD + 100% TIN
 46 = 100% TIN

WJP	12	01.08.17	20398
NAME	ISS.	DATE	C/NOTE
APPROVED: W. J. PRESTON			
CHECKED: M. PLESTED			
DRAWN: P. COLLINS			
CUSTOMER REF.:			
ASSEMBLY DRG:			

HARWIN

www.harwin.com
 technical@harwin.com

THIS DRAWING AND ANY INFORMATION OR DESCRIPTIVE MATTER SET OUT HEREON ARE CONFIDENTIAL AND COPYRIGHT PROPERTY OF THE HARWIN GROUP AND MUST NOT BE DISCLOSED, LOANED, COPIED OR USED FOR MANUFACTURING, TENDERING OR FOR ANY OTHER PURPOSE WITHOUT THEIR WRITTEN PERMISSION.

TOLERANCES
~~X = $\pm 1\text{mm}$~~
~~X.X = $\pm 0.50\text{mm}$~~
~~X.XX = $\pm 0.10\text{mm}$~~
~~X.XXX = $\pm 0.01\text{mm}$~~
 ANGLES = $\pm 5^{\circ}$
 UNLESS STATED

MATERIAL:

SEE ABOVE

FINISH:

SEE ABOVE

S/AREA:

mm²

TITLE:

2.54mm PITCH SIL
 VERTICAL PC TAIL
 PIN HEADER ASSEMBLY

DRAWING NUMBER:

M20-977XXX

SHT
 2
 OF
 2

Mouser Electronics

Authorized Distributor

Click to View Pricing, Inventory, Delivery & Lifecycle Information:

Harwin:

[M20-9770946](#) [M20-9770942](#) [M20-9770746](#) [M20-9770742](#) [M20-9770342](#) [M20-9770346](#) [M20-9774046](#) [M20-9774042](#) [M20-9773646](#) [M20-9773642](#) [M20-9771246](#) [M20-9771242](#) [M20-9772046](#) [M20-9772042](#) [M20-9773242](#) [M20-9773246](#) [M20-9771642](#) [M20-9771646](#) [M20-9771446](#) [M20-9771442](#) [M20-9772642](#) [M20-9772646](#) [M20-9771846](#) [M20-9771842](#) [M20-9771046](#) [M20-9771042](#) [M20-9771742](#) [M20-9771746](#) [M20-9771346](#) [M20-9771342](#) [M20-9772542](#) [M20-9772546](#) [M20-9771946](#) [M20-9771942](#) [M20-9771146](#) [M20-9771142](#) [M20-9771546](#) [M20-9771542](#) [M20-9770842](#) [M20-9770846](#) [M20-9770446](#) [M20-9770442](#) [M20-9770242](#) [M20-9770246](#) [M20-9770646](#) [M20-9770642](#) [M20-9770546](#) [M20-9770542](#)