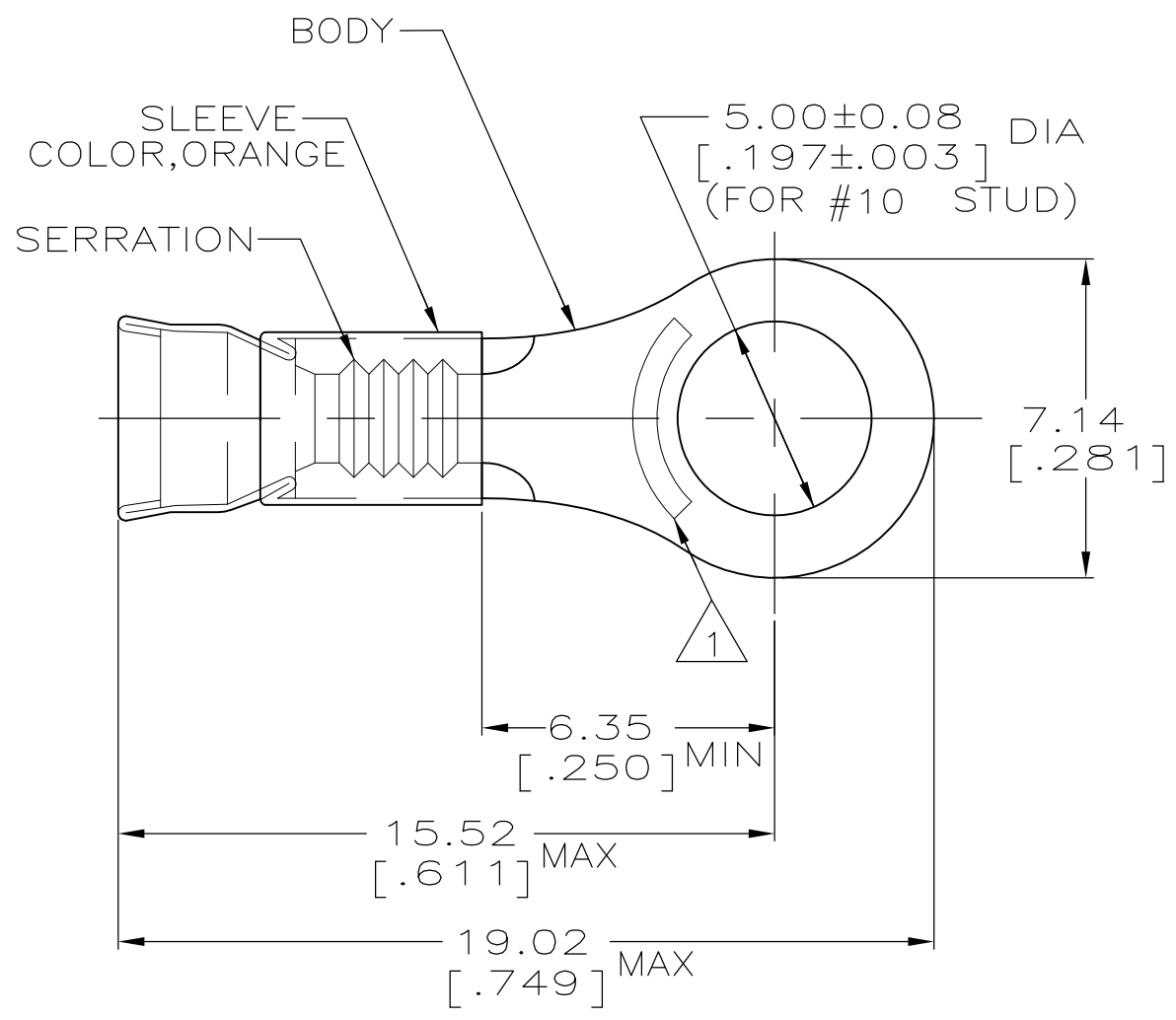


THIS DRAWING IS UNPUBLISHED. RELEASED FOR PUBLICATION
 © COPYRIGHT BY TYCO ELECTRONICS CORPORATION. ALL INTERNATIONAL RIGHTS RESERVED.

LOC	DIST	REVISIONS					
		P	LTR	DESCRIPTION	DATE	DWN	APVD
G	14						
		G1		REVISED PER ECR-09-019194	01SEP09	HMR	TM



- 1 STAMP AMP 22-18 APPROX AS SHOWN
22-16 TERMINALS ARE STAMPED 22-18 IN ACCORDANCE WITH MILITARY SPEC MIL-T-7928
COMMERCIAL WIRE RANGE IS 22-16
- 2 WIRE INSUL DIA, 2.67-3.56[.105-.140]
- 3 TONGUE MATL THK, 0.79±0.05[.031±.002]

5000	ON TAPE, REEL	2-321894-1
1000	LOOSE PIECE	321894
QTY	PACKAGE TYPE	PART NO

AMP INCORPORATED CUSTOMER SERVICE SYSTEM		MAX RECOMMENDED OPERATING TEMPERATURE: 649°C [1200°F]	THIS DRAWING IS A CONTROLLED DOCUMENT.		DWN L OLMEDA 10OCT94	Tyco Electronics Corporation Harrisburg, PA 17105-3608		
FOR ADDITIONAL PRODUCT INFORMATION OR COPIES OF DRAWINGS AND TECHNICAL DOCUMENTS	PRODUCT INFORMATION CENTER 1-800-522-6752		DIMENSIONS: mm [INCHES]	TOLERANCES UNLESS OTHERWISE SPECIFIED:	CHK M ELLIS 10OCT94			
FOR APPLICATION TOOLING INFORMATION	TOOLING ASSISTANCE CENTER 1-800-722-1111	VOLTAGE RATING: -		APVD S BORTNER 10OCT94	NAME TERMINAL, RING TONGUE, STRATOTHERM, DIAMOND GRIP, WIRE SIZE, 22-16 AWG			
FOR ORDER ENTRY	1-800-526-5142	CIRCULAR MIL AREA: 0.26mm ² -1.65mm ² [509-3260]		MATERIAL BODY, NI PER ASTM B162 SLEEVE, NI SIL PER ASTM B122	PRODUCT SPEC -	SIZE A3	CAGE CODE 00779	DRAWING NO G-321894
			CUSTOMER DRAWING		WEIGHT -	SCALE 6:1	SHEET 1 OF 1	REV G1

Mouser Electronics

Authorized Distributor

Click to View Pricing, Inventory, Delivery & Lifecycle Information:

[TE Connectivity:](#)

[321894](#)