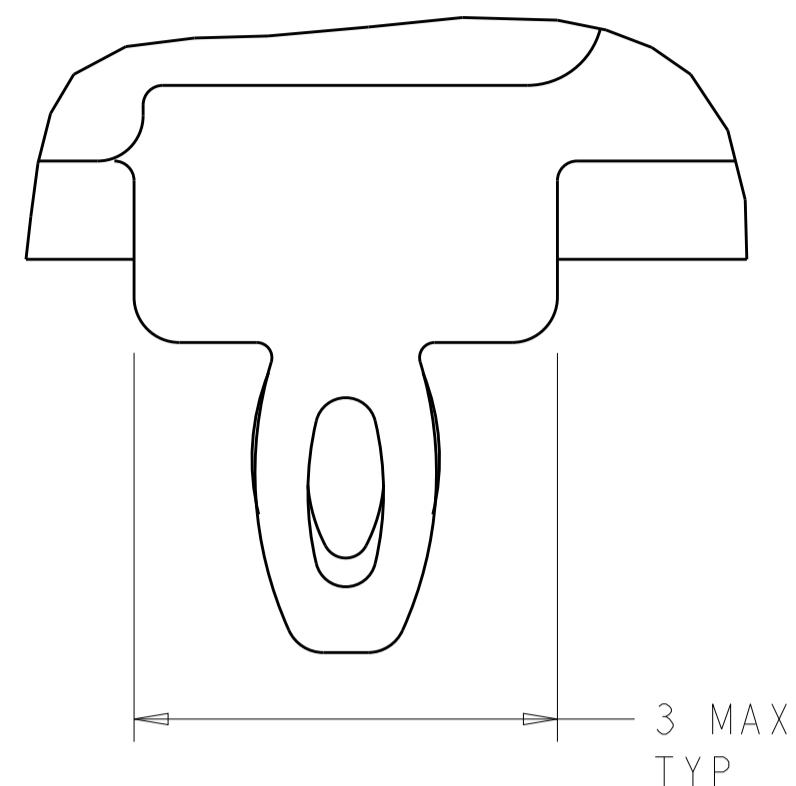


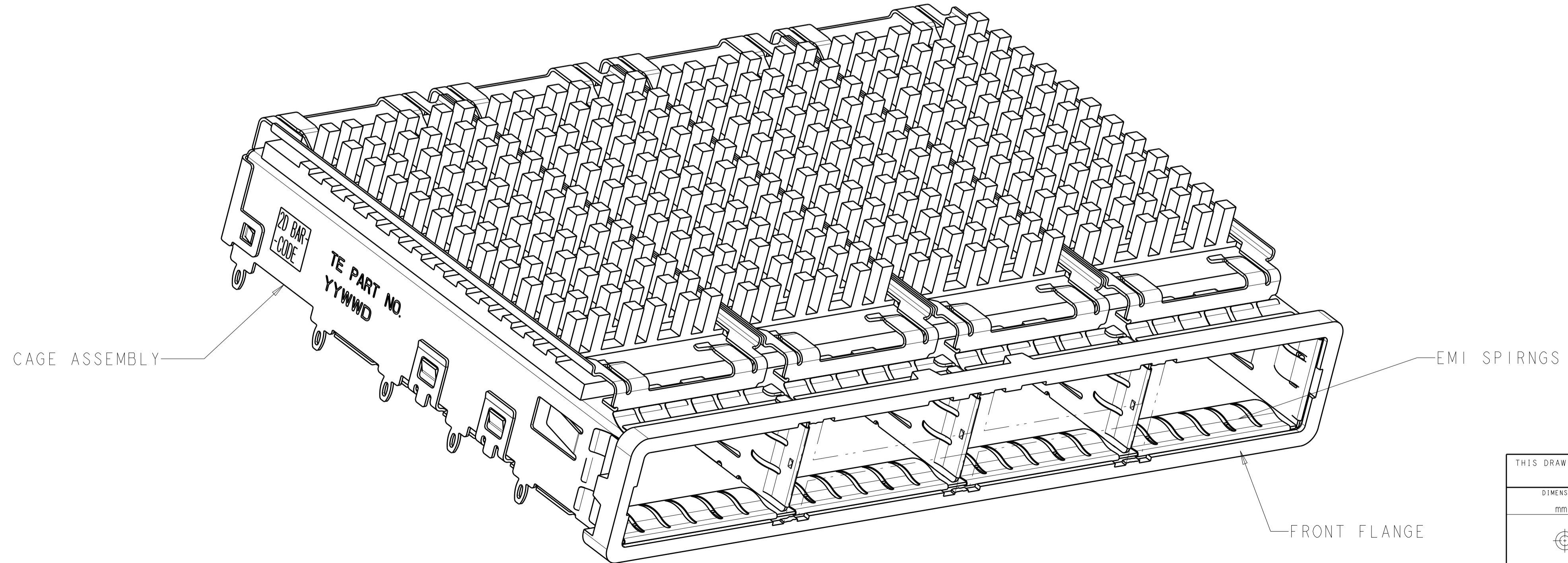
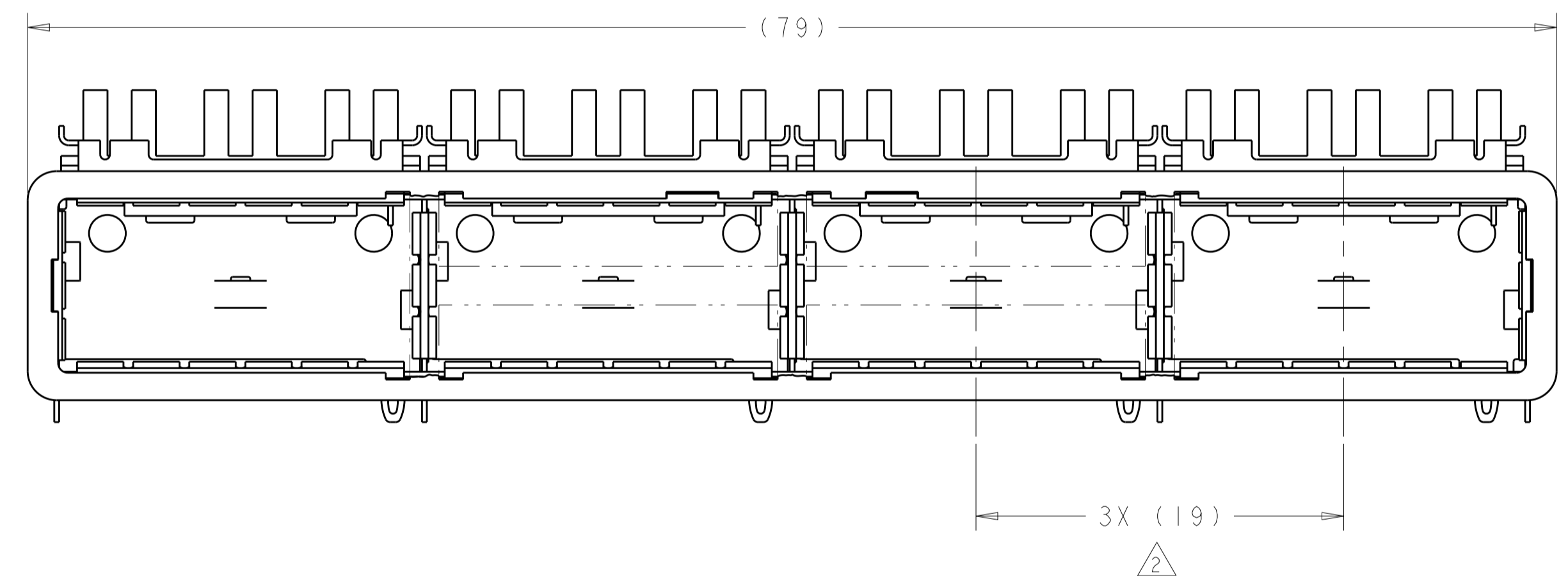
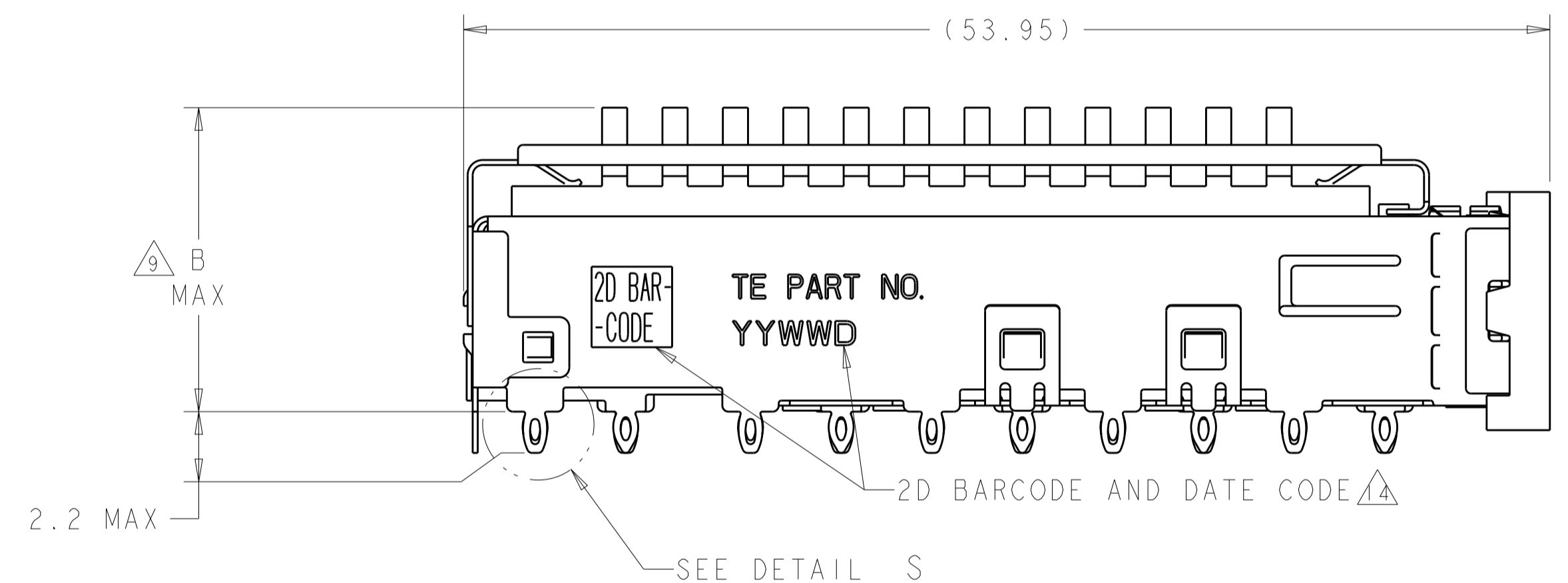
LOC	DIST	REVISIONS					
		P	LTN	DESCRIPTION	DATE	DMN	APVD
GP	00	C		REVISED PER ECO-10-018054	03NOV2010	CJV	EJB
		D		REVISED PER ECO-12-003841	14MAR2012	KS	AC
		E		REVISED PER ECO-12-005533	31MAR2012	JY	AC
		F		REVISED PER ECO-14-017735	30EC2014	RG	MC



DETAIL S $\Delta 12$
 SCALE 20:1

- $\Delta 1$ CAGE ASSEMBLY MATERIAL: NICKEL SILVER, 0.25 THICK
 HEAT SINK MATERIAL: ALUMINUM
 HEAT SINK CLIP MATERIAL: STAINLESS STEEL
 EMI SPRING MATERIAL: COPPER ALLOY
 FRONT FLANGE MATERIAL: ZINC ALLOY
- $\Delta 2$ PITCH BETWEEN PORTS OF ONE 1X4 CAGE ASSEMBLY.
- $\Delta 3$ SPACING BETWEEN CAGES ON THE SAME PC BOARD, TO BE SPECIFIED BY CUSTOMER, MUST COMPLY WITH MINIMUM DIMENSIONS SHOWN.
- $\Delta 4$ REFERENCE APPLICATION SPEC 114-13218 FOR RECOMMENDED DRILL HOLE DIAMETER AND PLATING THICKNESS.
- $\Delta 5$ DATUMS AND BASIC DIMENSIONS ESTABLISHED BY CUSTOMER.
- $\Delta 6$ DIMENSION C IS THE NOMINAL THICKNESS OF CUSTOMER SUPPLIED PC BOARD,
 SINGLE SIDED PC BOARD MINIMUM THICKNESS = 1.45mm
 DOUBLE SIDED PC BOARD MINIMUM THICKNESS = 2.2mm PER QSFP.
- $\Delta 7$ HEAT SINKS AND CLIPS SHIPPED ASSEMBLED TO CAGE ASSEMBLY. CAGE ASSEMBLY MAY BE PRESSED INTO THE PCB AS SHIPPED.
- $\Delta 8$ DATUM \square -A- IS TOP SURFACE OF PC BOARD.
- $\Delta 9$ DIMENSION APPLIES WITH MODULE INSERTED IN CAGE.
- $\Delta 10$ UNPLATED THRU HOLE.
- 11. MATES WITH QSFP MSA COMPATIBLE TRANSCEIVER.
- $\Delta 12$ SURFACE TRACES PERMITTED WITHIN THIS AREA EXCEPT WHERE CAGE STANDOFFS, SHOWN IN DETAIL S, CONTACT PC BOARD.
- $\Delta 13$ BASELINE FOR THESE DIMENSIONS IS THE CENTER OF COMPLIANT PIN HOLE.
- $\Delta 14$ 2D BARCODE AND DATE CODE (YYWWD) MARKED ON SIDE OF CAGE ASSEMBLY.
- $\Delta 15$ REFERENCE APP SPEC 114-13218 FOR GASKET THICKNESS CALCULATION.

$\Delta 16$ EMI SPRING FINISH: 2 μ m MINIMUM TIN
 FRONT FLANGE FINISH: 3 μ m MINIMUM TIN OVER 1.27 μ m MINIMUM NICKEL OVER 5.08 μ m MINIMUM COPPER.
 HEAT SINK FINISH: NICKEL.

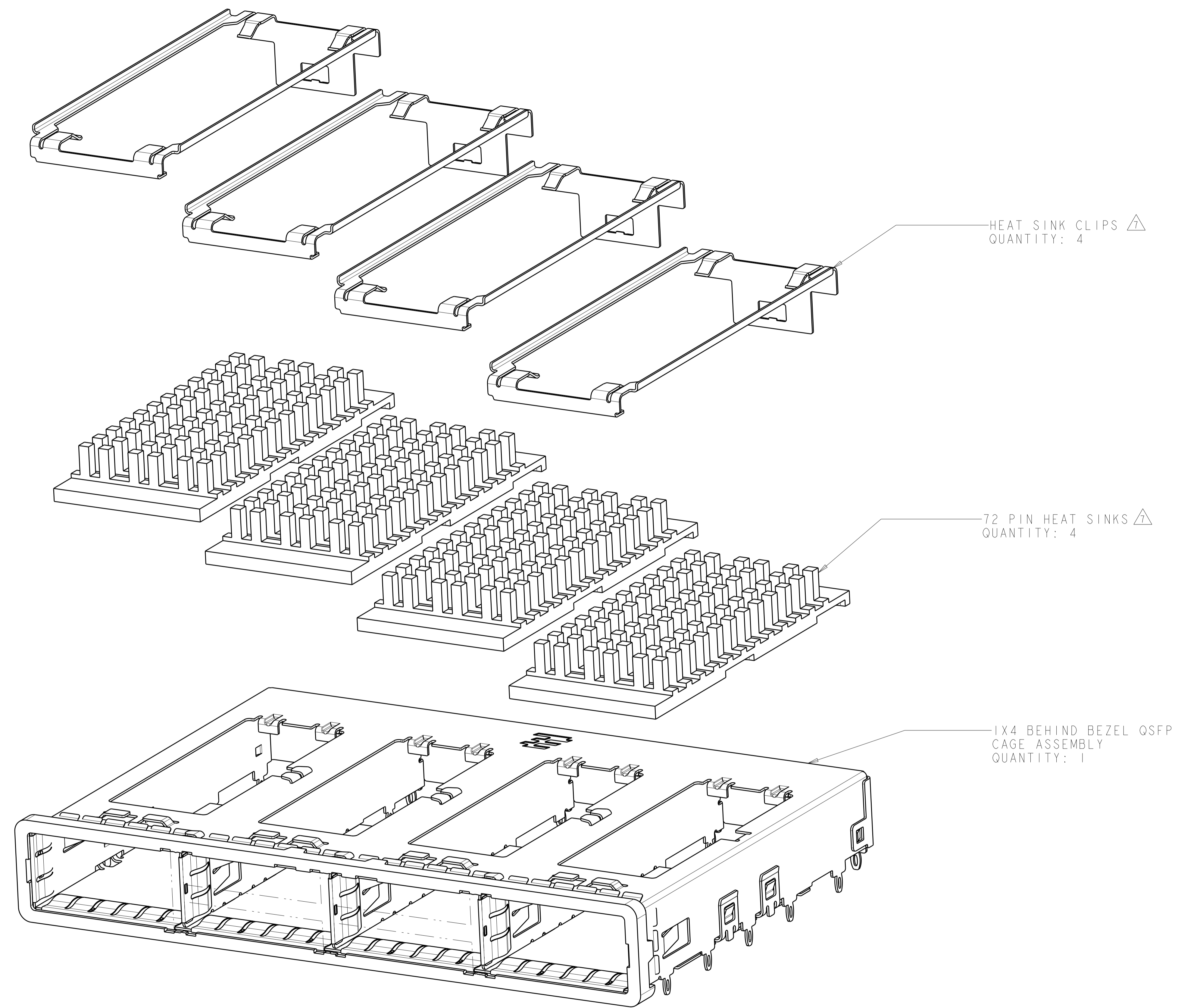



23.0	NETWORKING	2007625-3
16.0	SAN	2007625-2
13.7	PCI	2007625-1
B	HEAT SINK PROFILE	PART NUMBER

THIS DRAWING IS A CONTROLLED DOCUMENT.

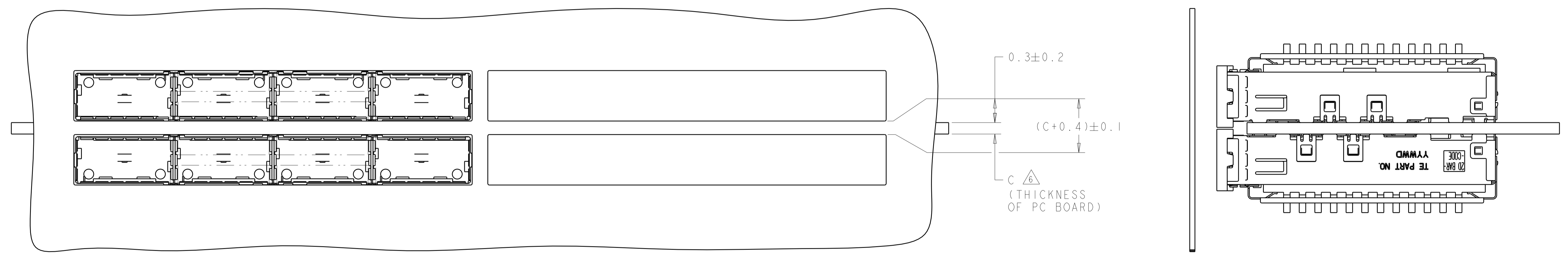
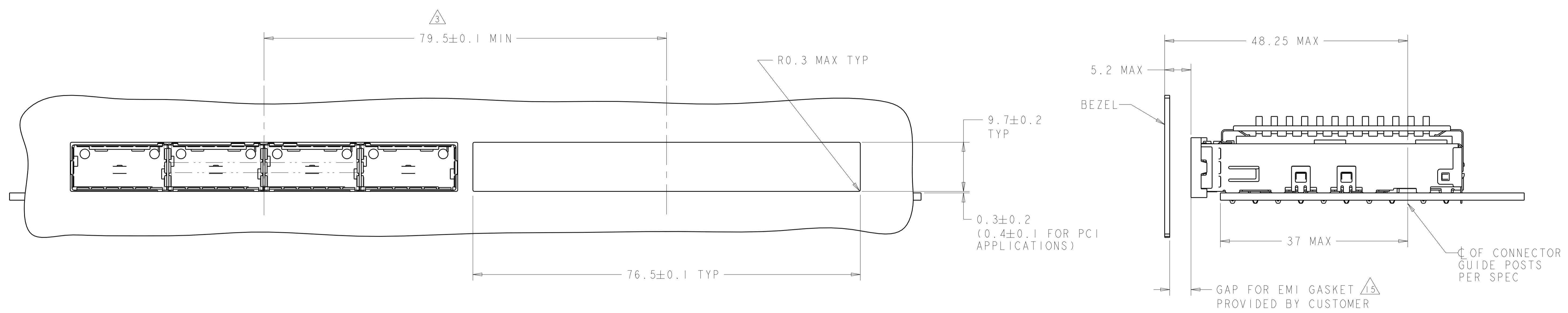
DIMENSIONS:	TOLERANCES UNLESS OTHERWISE SPECIFIED:	OWN: C. VALENTINE 09JUN2008	CHK: E. BRIGHT 09JUN2008	APVD: F. BRIGHT 09JUN2008
mm	0 PLC \pm	NAME: 1X4 CAGE ASSEMBLY, BEHIND BEZEL, W/ HEAT SINKS, QSFP		
	1 PLC ± 0.1	SIZE: CAGE CODE DRAWING NO. RESTRICTED TO		
	2 PLC ± 0.1	A100779C=2007625		
	3 PLC \pm	SCALE 4:1 SHEET 1 OF 5 REV F		
	4 PLC \pm	CUSTOMER DRAWING		
	ANGLES \pm			
MATERIAL $\Delta 1$	FINISH $\Delta 16$			

LOC	DIST	REVISIONS					
GP	00	P	LYR	DESCRIPTION	DATE	OWN	APVD
		-		SEE SHEET 1			



THIS DRAWING IS A CONTROLLED DOCUMENT.		OWN C. VALENTINE 09JUN2008	 TE Connectivity
DIMENSIONS: mm		CHK E. BRIGHT 09JUN2008	
TOLERANCES UNLESS OTHERWISE SPECIFIED:		APVD E. BRIGHT 09JUN2008	NAME 1X4 CAGE ASSEMBLY, BEHIND BEZEL, W/ HEAT SINKS, QSFP
0 PLC ± 1 PLC ±0.1 2 PLC ±0.1 3 PLC ± 4 PLC ± ANGLES ±		PRODUCT SPEC 108-2286	SIZE A100779
MATERIAL		APPLICATION SPEC 114-13218	CAGE CODE C=2007625
FINISH		WEIGHT	RESTRICTED TO
CUSTOMER DRAWING		SCALE 4:1	SHEET 2 OF 5
		REV F	

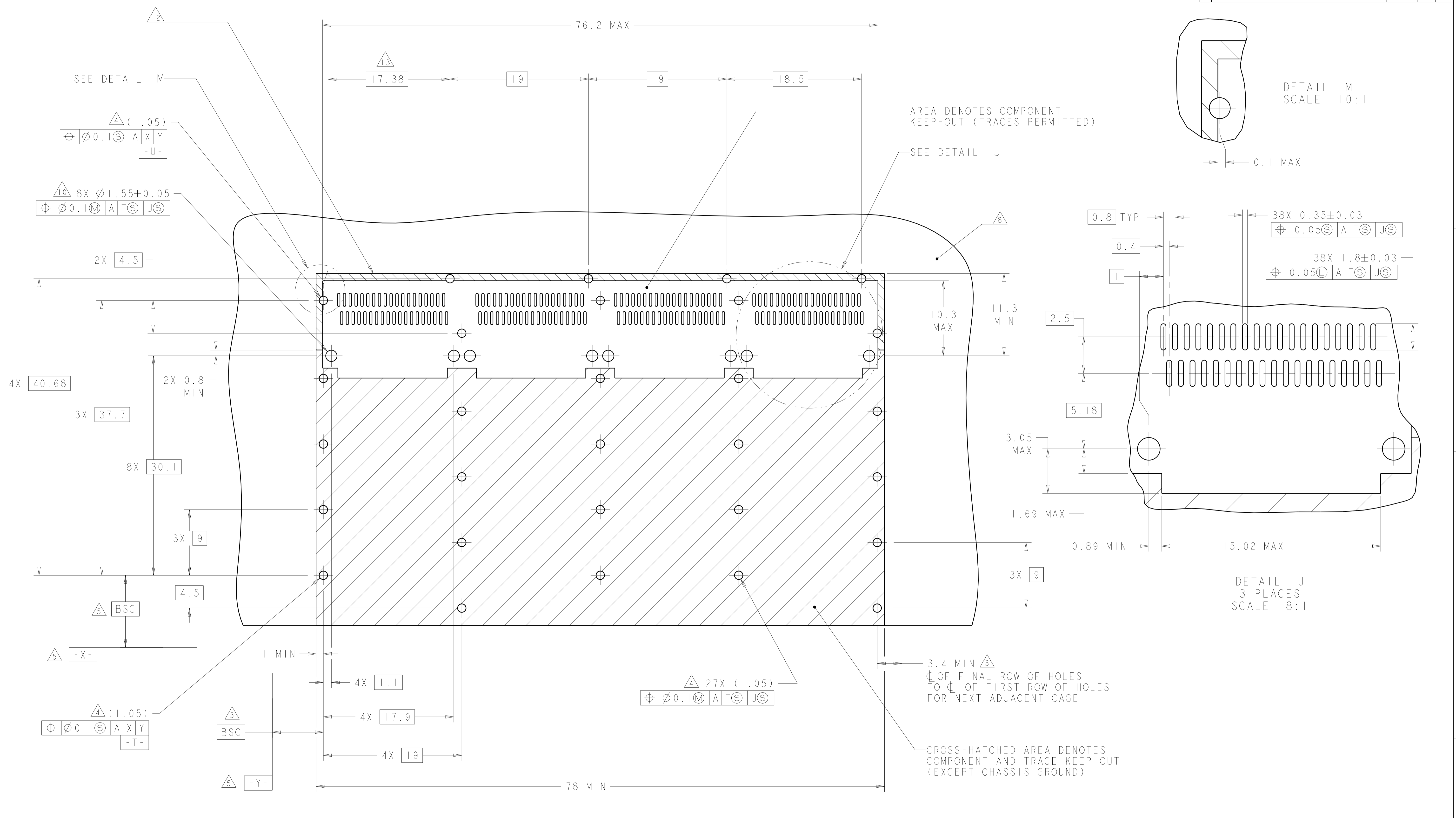
LOC	DIST	REV	DATE	BY	APPD
GP	00				
REVISIONS			DESCRIPTION	DATE	BY
			SEE SHEET 1		



THIS DRAWING IS A CONTROLLED DOCUMENT.		OWN C. VALENTINE 09JUN2008	
DIMENSIONS:		CHK E. BRIGHT 09JUN2008	
mm	TOLERANCES UNLESS OTHERWISE SPECIFIED:	APVD E. BRIGHT 09JUN2008	NAME 1X4 CAGE ASSEMBLY, BEHIND BEZEL, W/ HEAT SINKS, QSFP
0 PLC ±	1 PLC ±0.1	PRODUCT SPEC	SIZE
2 PLC ±0.1	3 PLC ±	108-2286	CAGE CODE
4 PLC ±	ANGLES ±	APPLICATION SPEC	DRAWING NO
MATERIAL	FINISH	114-13218	RESTRICTED TO
		WEIGHT	A100779C=2007625
		CUSTOMER DRAWING	SCALE 4:1 SHEET 3 OF 5 REV F

LOC	DIST	REV	DATE	BY	APPV
GP	00				

REVISIONS			
NO.	DESCRIPTION	DATE	BY
1	SEE SHEET 1		

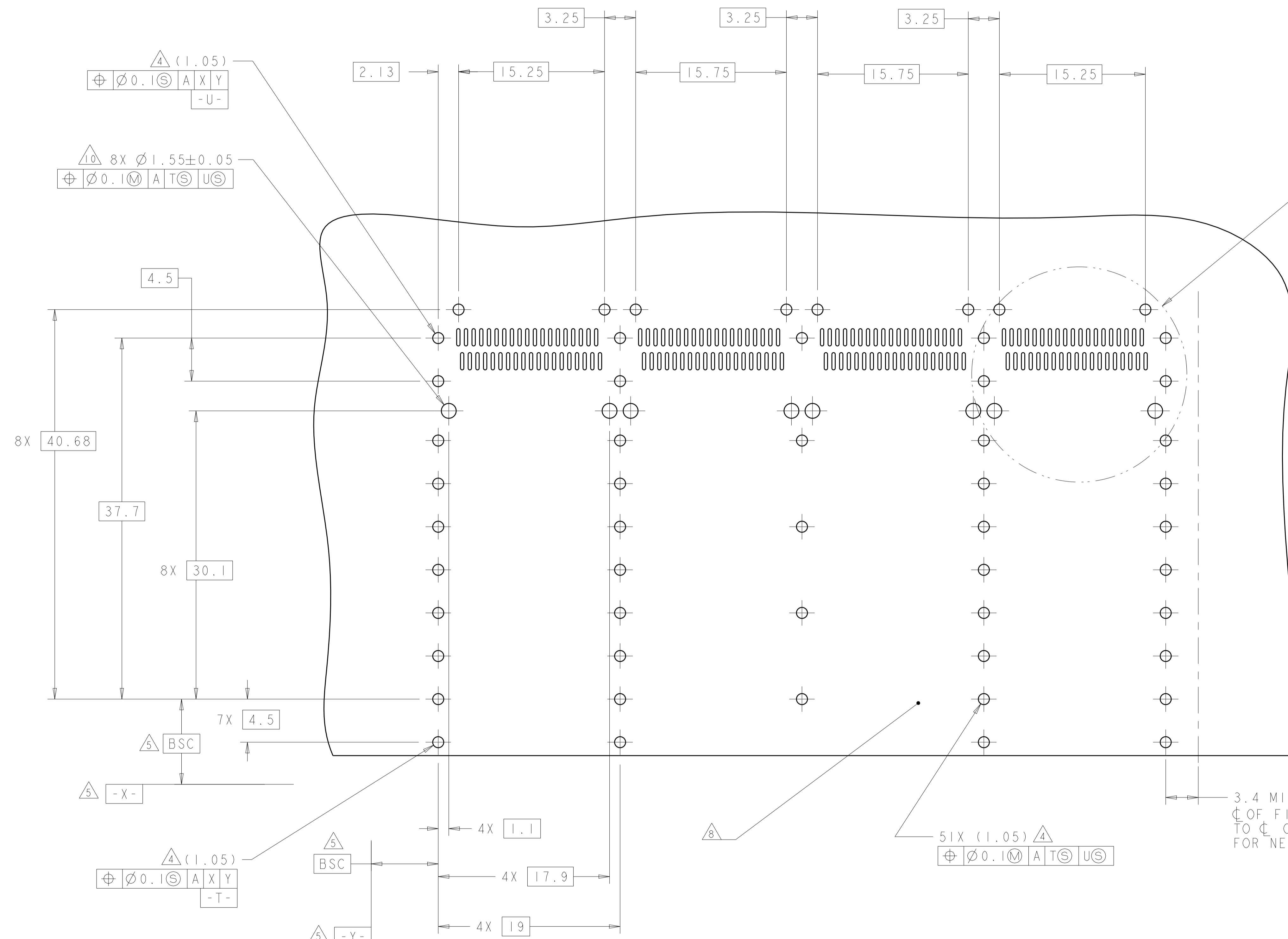


RECOMMENDED PC BOARD LAYOUT
 SINGLE SIDE MOUNT CONFIGURATION
 SCALE 4:1

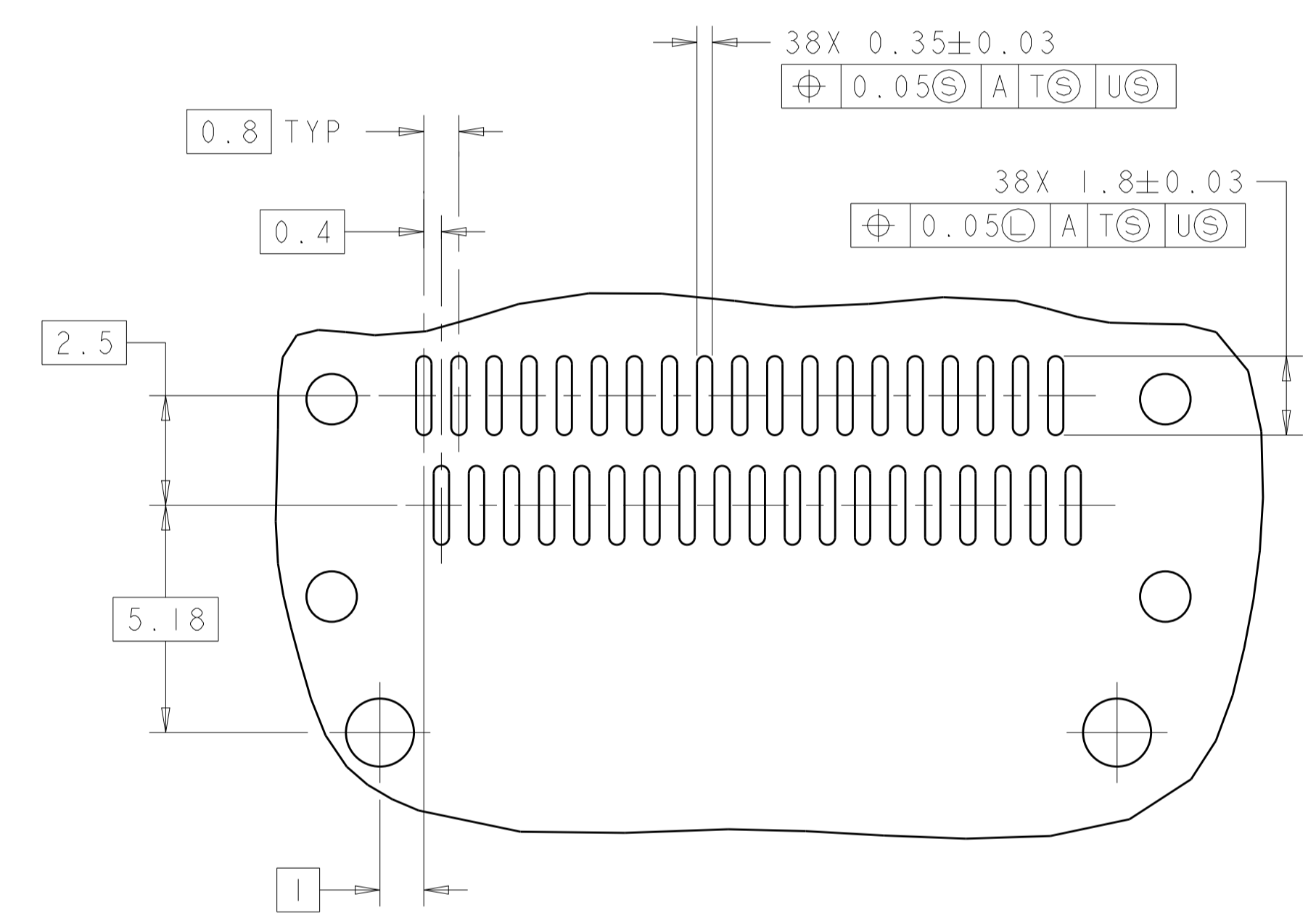
THIS PRODUCT HAS NOT COMPLETED VALIDATION/QUALIFICATION TESTING

THIS DRAWING IS A CONTROLLED DOCUMENT.		OWN C. VALENTINE 09 JUN 2008	TE Connectivity
DIMENSIONS: mm		CHK E. BRIGHT 09 JUN 2008	
TOLERANCES UNLESS OTHERWISE SPECIFIED:		APVD E. BRIGHT 09 JUN 2008	NAME 1X4 CAGE ASSEMBLY, BEHIND BEZEL, W/ HEAT SINKS, QSFP
0 PLC ± 1 PLC ±0.1 2 PLC ±0.1 3 PLC ± 4 PLC ± ANGLES ±		PRODUCT SPEC 108-2286	SIZE A100779
MATERIAL		APPLICATION SPEC 114-13218	CAGE CODE C=2007625
FINISH		WEIGHT	RESTRICTED TO
		CUSTOMER DRAWING	SCALE 4:1 SHEET 4 OF 5 REV F

LOC	DIST	REVISIONS					
GP	00	P	LTN	DESCRIPTION	DATE	DMN	APVD
		-		SEE SHEET 1	-	-	-



SEE DETAIL K



DETAIL K
SCALE 8:1

RECOMMENDED PC BOARD LAYOUT
 BELLY TO BELLY CONFIGURATION
 SEE SHEET 4 FOR COMPONENT
 AND TRACE KEEP-OUTS
 SCALE 4:1

THIS PRODUCT HAS NOT COMPLETED VALIDATION/QUALIFICATION TESTING

THIS DRAWING IS A CONTROLLED DOCUMENT.		DMN C. VALENTINE 09JUN2008	TE Connectivity NAME 1X4 CAGE ASSEMBLY, BEHIND BEZEL, W/ HEAT SINKS, QSFP
DIMENSIONS: mm		CHK E. BRIGHT 09JUN2008	
TOLERANCES UNLESS OTHERWISE SPECIFIED:		APVD E. BRIGHT 09JUN2008	PRODUCT SPEC
0 PLC ±0.1		108-2286	APPLICATION SPEC
1 PLC ±0.1		114-13218	RESTRICTED TO
2 PLC ±0.1		114-13218	A100779C=2007625
3 PLC ±0.1		114-13218	SCALE 4:1 SHEET 5 OF 5 REV F
4 PLC ±0.1		114-13218	
ANGLES ±0.1		114-13218	
FINISH		114-13218	
MATERIAL		114-13218	
CUSTOMER DRAWING		114-13218	

Mouser Electronics

Authorized Distributor

Click to View Pricing, Inventory, Delivery & Lifecycle Information:

[TE Connectivity:](#)

[2007625-1](#)