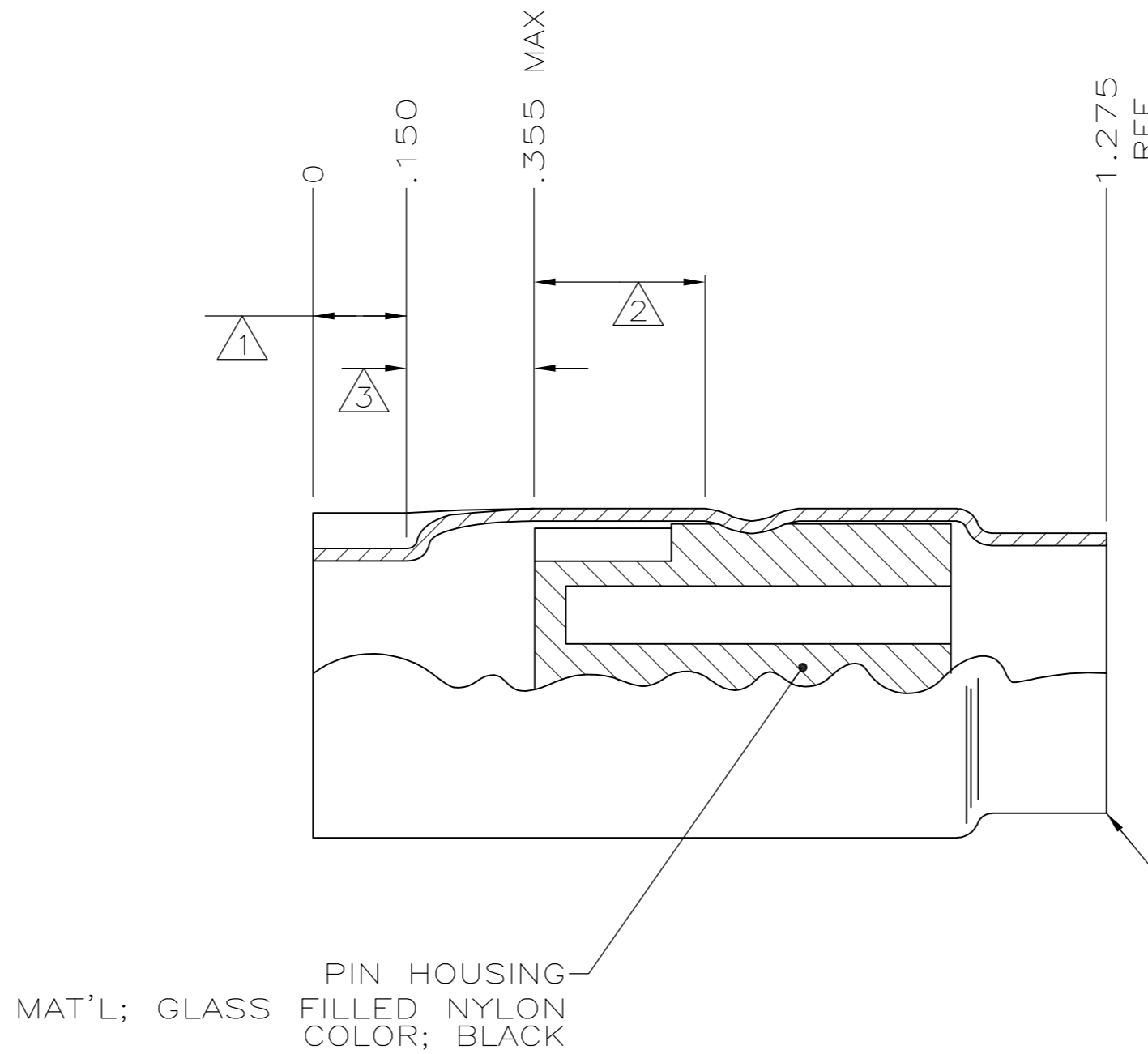
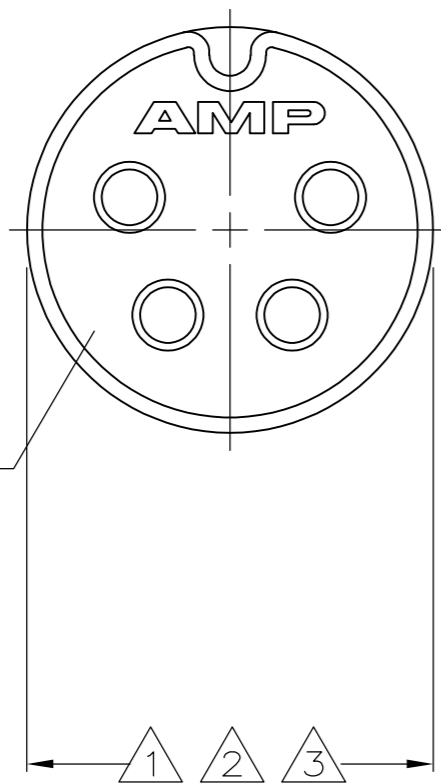


THIS DRAWING IS UNPUBLISHED. RELEASED FOR PUBLICATION
 © COPYRIGHT - By - ALL RIGHTS RESERVED.

| LOC | | DIST | | REVISIONS | | | |
|-----|-----|-------------|---------------------------|-----------|------|-----|--|
| P | LTR | DESCRIPTION | DATE | DWN | APVD | | |
| GP | 00 | J1 | REVISED PER ECO-11-005033 | 23MAR11 | RK | HMR | |

4 POSN MATING FACE SHOWN, REF ONLY



- ① SHELL DIAMETER IN THIS AREA TO BE $.529 \pm .005$ MEASURED ANYWHERE EXCEPT OVER KEY.
- ② SHELL DIAMETER IN THIS AREA TO BE $.531 \pm .003$.
- ③ SHELL DIAMETER IN KEY TRANSITION AREA MAY NOT EXCEED $.535$ AT ANY MEASUREMENT POINT.
- ④ TIN-LEAD.
- ⑤ TIN.

PIN HOUSING MAT'L; GLASS FILLED NYLON COLOR; BLACK

SHIELD MAT'L; BRASS FINISH; TIN/PLATE

| | | | |
|----------|---|---------------------------------------|------------|
| | ⑤ | CIRCULAR DIN SUB-ASSEMBLY, 8 POSITION | 9-212437-2 |
| | ⑤ | CIRCULAR DIN SUB-ASSEMBLY, 6 POSITION | 9-212437-1 |
| | ⑤ | CIRCULAR DIN SUB-ASSEMBLY, 5 POSITION | 9-212437-0 |
| | ⑤ | CIRCULAR DIN SUB-ASSEMBLY, 4 POSITION | 212437-7 |
| OBSOLETE | ④ | CIRCULAR DIN SUB-ASSEMBLY, 8 POSITION | 212437-6 |
| OBSOLETE | ④ | CIRCULAR DIN SUB-ASSEMBLY, 7 POSITION | 212437-5 |
| OBSOLETE | ④ | CIRCULAR DIN SUB-ASSEMBLY, 6 POSITION | 212437-4 |
| OBSOLETE | ④ | CIRCULAR DIN SUB-ASSEMBLY, 5 POSITION | 212437-3 |
| OBSOLETE | ④ | CIRCULAR DIN SUB-ASSEMBLY, 4 POSITION | 212437-2 |
| OBSOLETE | ④ | CIRCULAR DIN SUB-ASSEMBLY, 3 POSITION | 212437-1 |

| SHIELD FINISH | DESCRIPTION | PART NUMBER |
|---------------|-------------|-------------|
|---------------|-------------|-------------|

| | | | | | | | | | | | | | | | | | | |
|---|--------|-----------------------------------|---|--------------|--------|----------|-----|-------|--------|-------|-----|--------|-----|--------------|------|-----------|------------|---------------|
| THIS DRAWING IS A CONTROLLED DOCUMENT. | | DWN 11-10-05 L. Varela - Dock5 | TE TE Connectivity | | | | | | | | | | | | | | | |
| DIMENSIONS: INCHES | | CHK 11-10-05 C. ROHDE | | | | | | | | | | | | | | | | |
| TOLERANCES UNLESS OTHERWISE SPECIFIED: | | APVD 11-10-05 M. WALMSLEY | NAME CIRCULAR DIN PLUG, SUB-ASSEMBLY | | | | | | | | | | | | | | | |
| <table border="1"> <tr><td>0 PLC</td><td>± -</td></tr> <tr><td>1 PLC</td><td>± -</td></tr> <tr><td>2 PLC</td><td>± -</td></tr> <tr><td>3 PLC</td><td>± .010</td></tr> <tr><td>4 PLC</td><td>± -</td></tr> <tr><td>ANGLES</td><td>± -</td></tr> </table> | | 0 PLC | ± - | 1 PLC | ± - | 2 PLC | ± - | 3 PLC | ± .010 | 4 PLC | ± - | ANGLES | ± - | PRODUCT SPEC | SIZE | CAGE CODE | DRAWING NO | RESTRICTED TO |
| 0 PLC | ± - | | | | | | | | | | | | | | | | | |
| 1 PLC | ± - | | | | | | | | | | | | | | | | | |
| 2 PLC | ± - | | | | | | | | | | | | | | | | | |
| 3 PLC | ± .010 | | | | | | | | | | | | | | | | | |
| 4 PLC | ± - | | | | | | | | | | | | | | | | | |
| ANGLES | ± - | | | | | | | | | | | | | | | | | |
| MATERIAL SEE TABLE | | FINISH SEE TABLE | WEIGHT - | A2 | 00779 | C=212437 | - | | | | | | | | | | | |
| | | CUSTOMER DRAWING | SCALE 1:1 | SHEET 1 of 1 | REV J1 | | | | | | | | | | | | | |

Mouser Electronics

Authorized Distributor

Click to View Pricing, Inventory, Delivery & Lifecycle Information:

[TE Connectivity:](#)

[9-212437-2](#)