

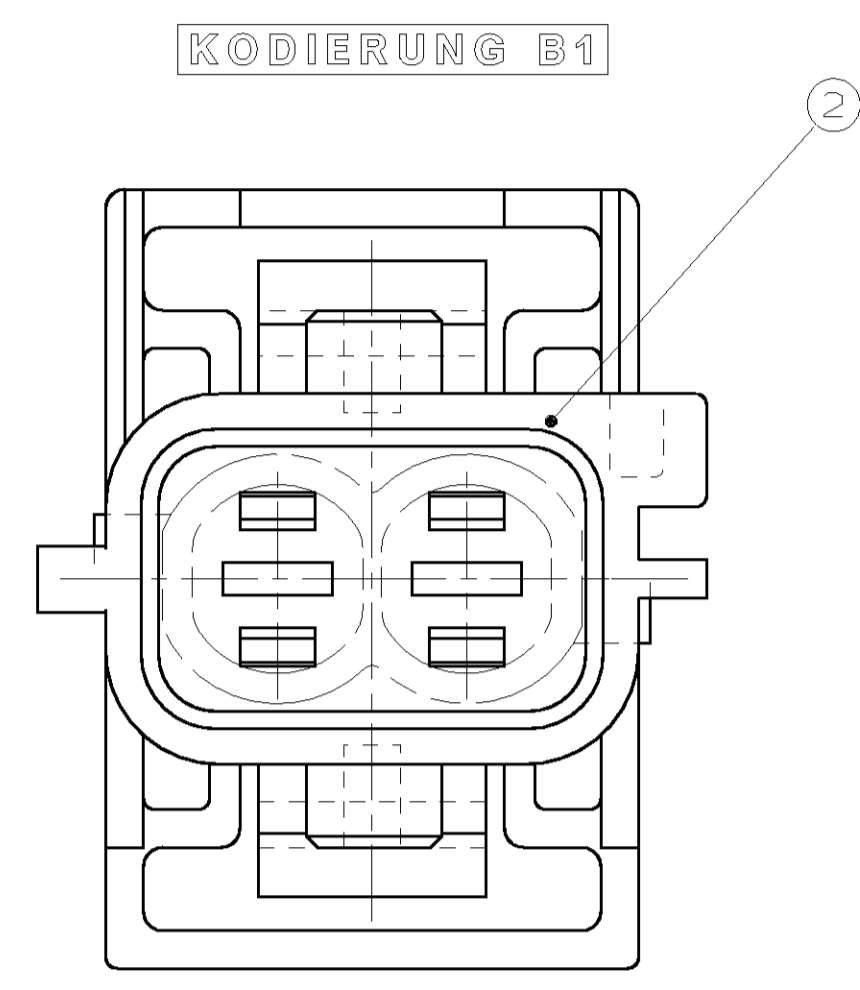
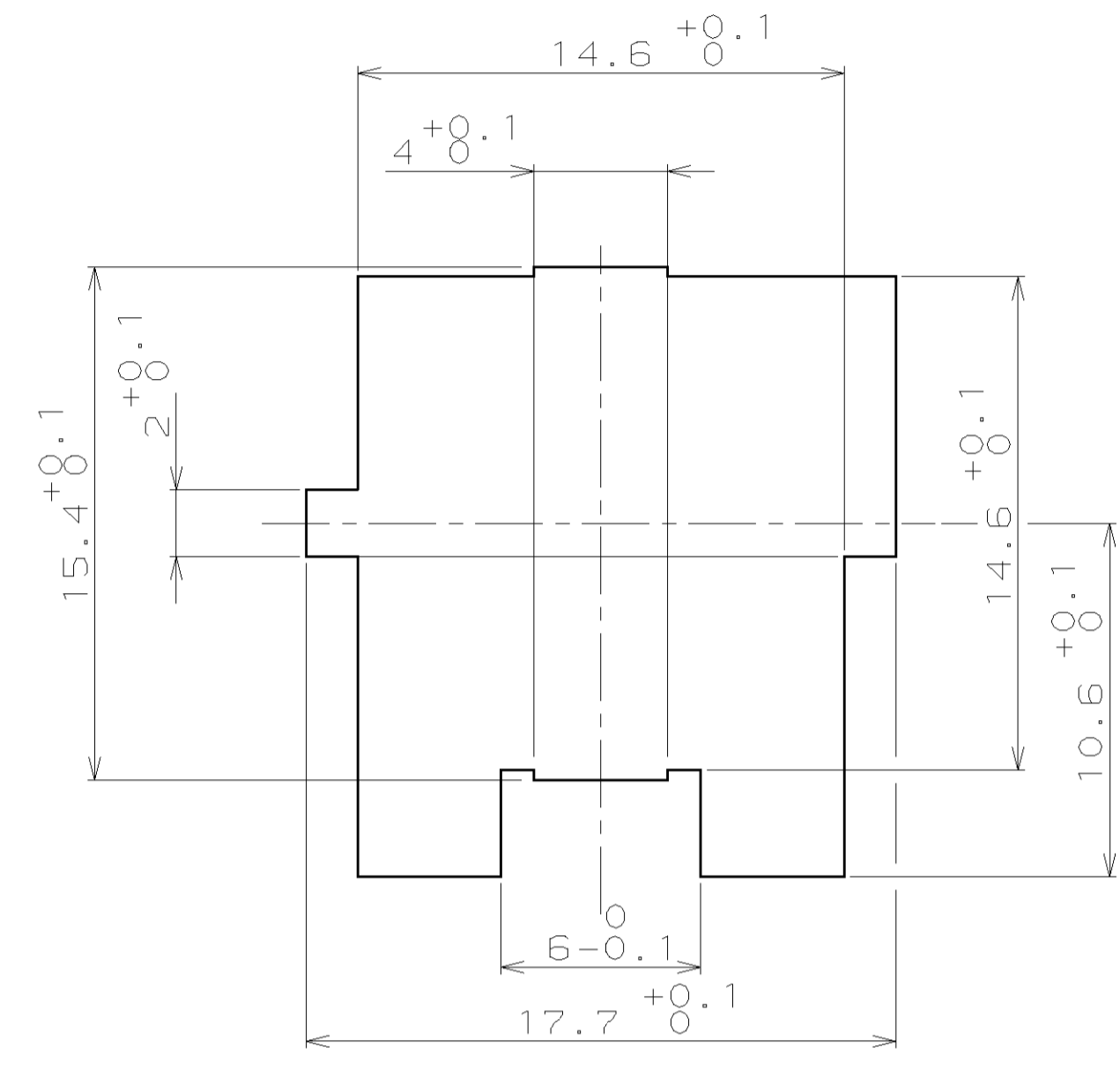
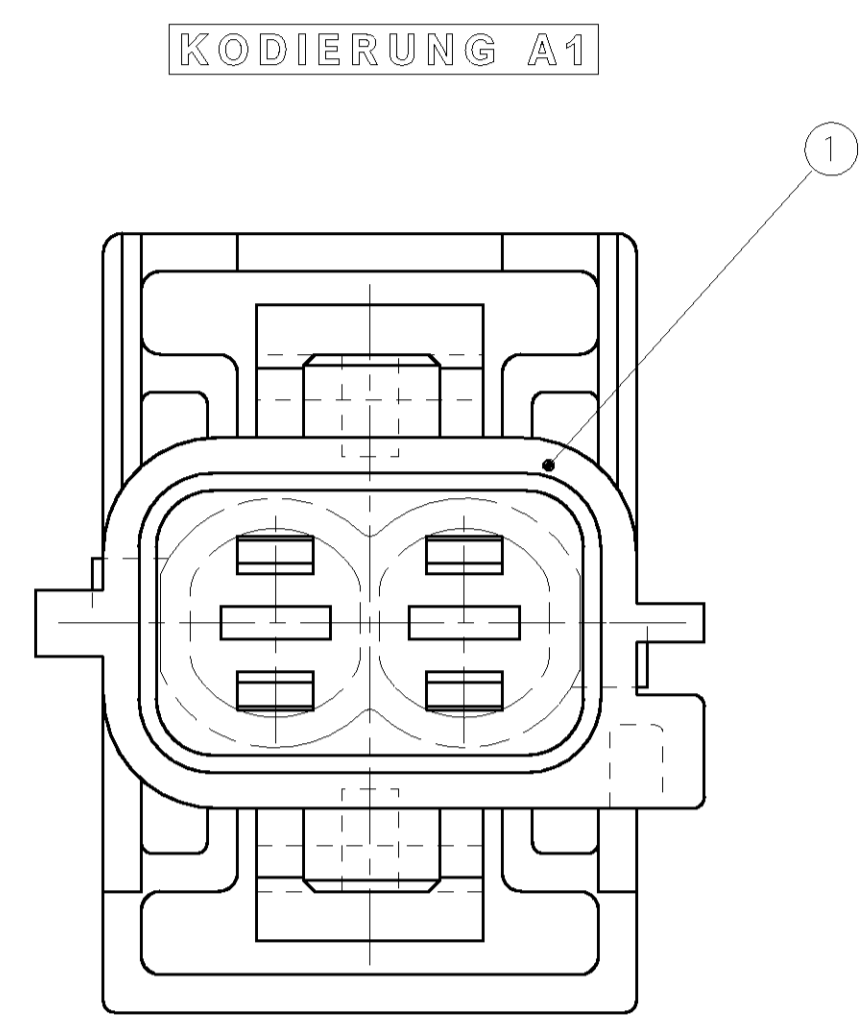
NOTES
 Bemerkungen

1 TOLERANCES UNLESS OTHERWISE SPECIFIED ±0.3
 Toleranzen wenn nicht anders spezifiziert ±0.3

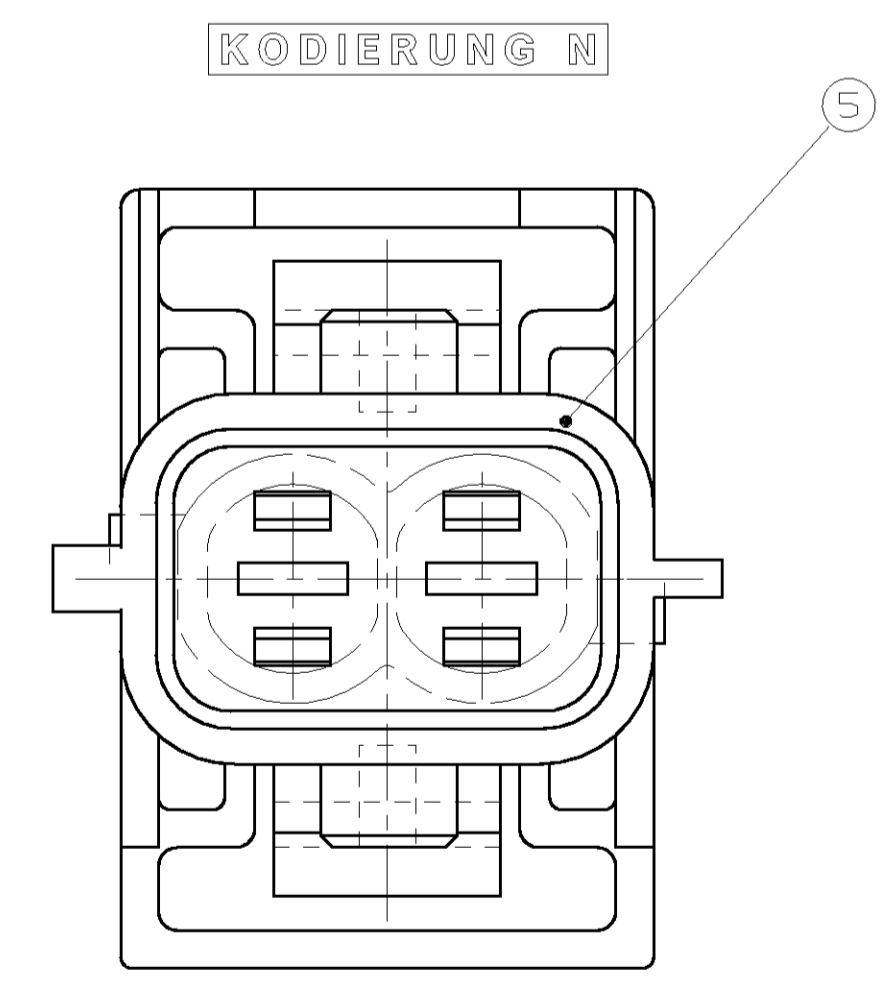
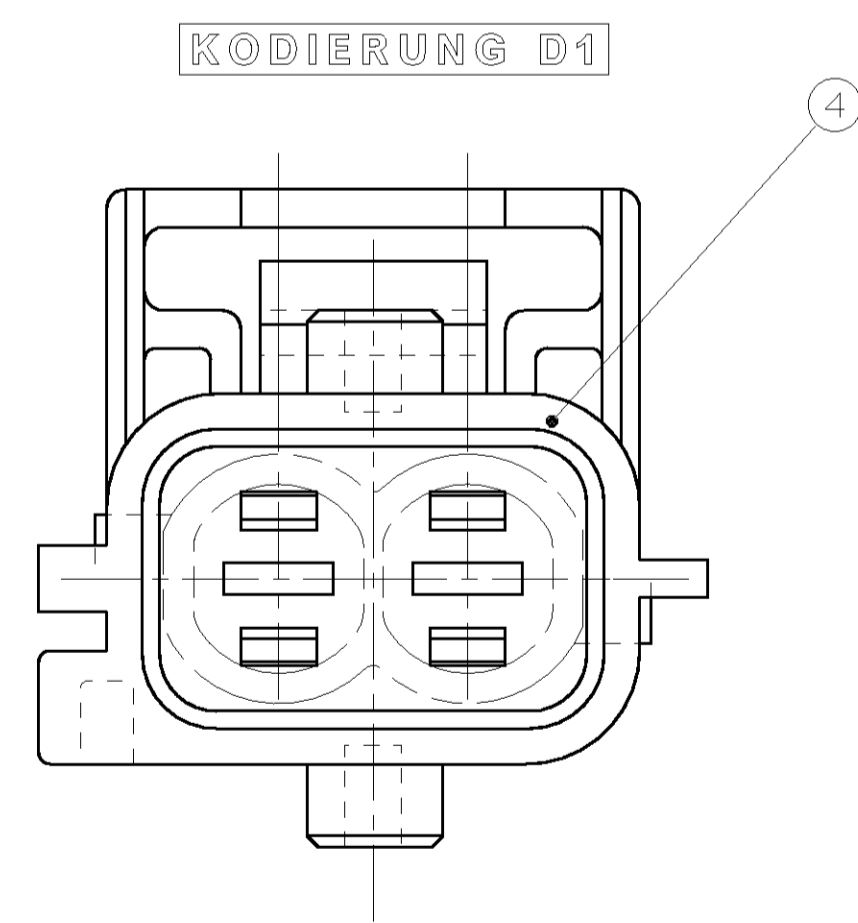
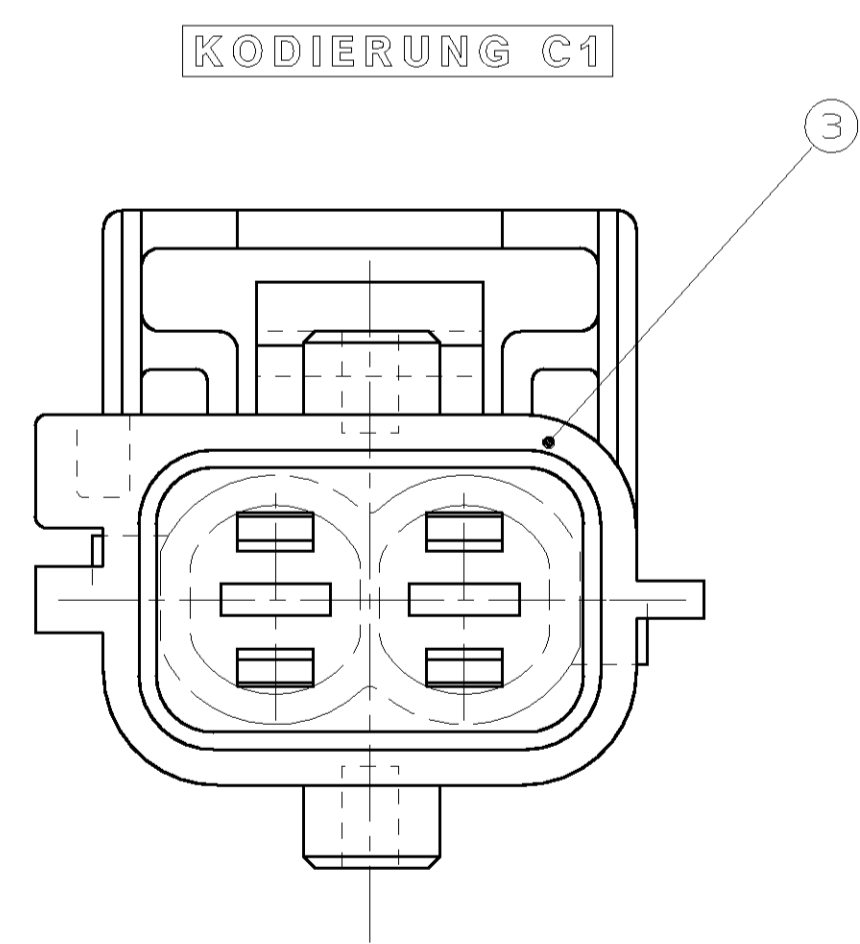
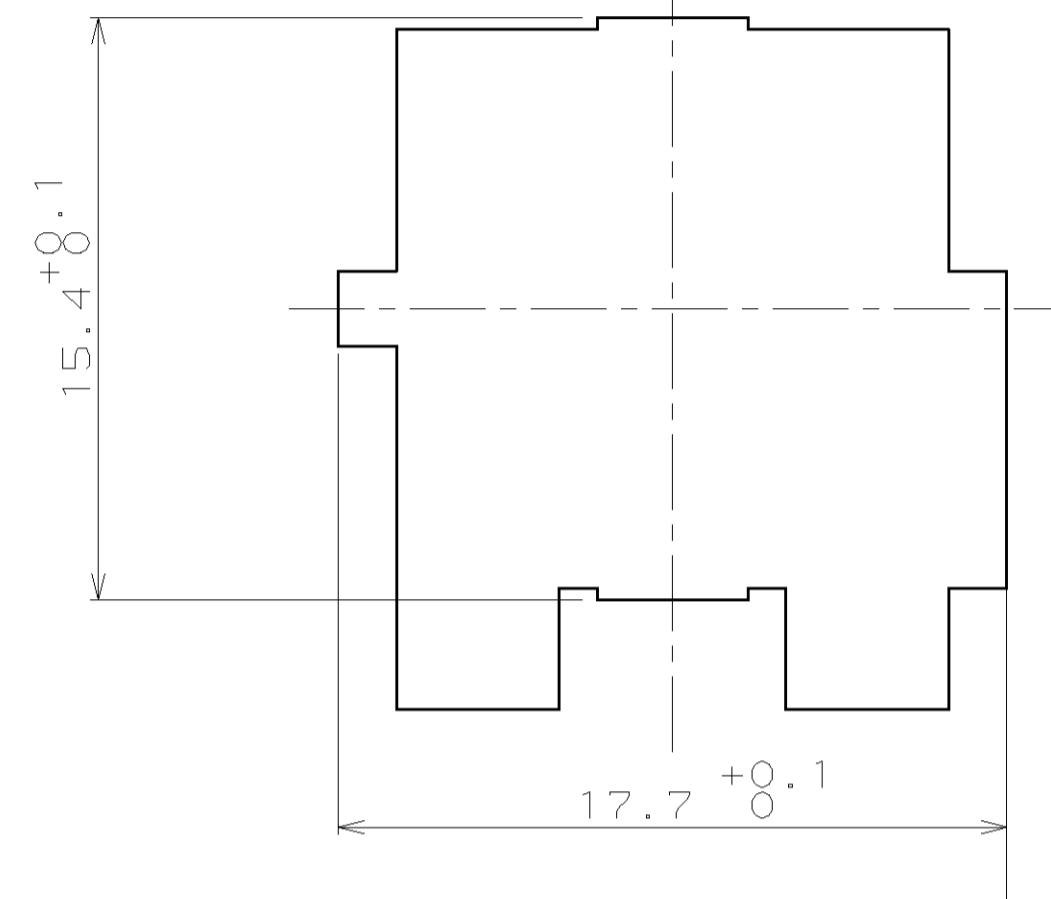
CUSTOMER PART NO	AMP PART NO	REV.	PCS.	MATERIAL	SURFACE COLOR	DESCRIPTION	ITEM NO
4113254	5-962344-1	G	1	PBT/ASA-GF30	WHITE RAL 9010	2POS. TAB HSG. COD.N	5
4113296	4-962344-1	G	1	PBT/ASA-GF30	BROWN RAL 8007	2POS. TAB HSG. COD.D1	4
4113288	3-962344-1	G	1	PBT/ASA-GF30	BLUE RAL 5009	2POS. TAB HSG. COD.C1	3
4113270	2-962344-1	G	1	PBT/ASA-GF30	GREY RAL 7015	2POS. TAB HSG. COD.B1	2
5354485	1-962344-2	G	1	PBT/ASA-GF30	YELLOW RAL 1018	2POS. TAB HSG. COD.A1	1
4113262	1-962344-1	G	1	PBT/ASA-GF30	BLACK RAL 9005	2POS. TAB HSG. COD.A1	1

DATE: 29.03.93	BY: S.Garcia
DATE: 29.03.93	CHK: W.Stabroth
PRODUCT SPEC: 2.8MM TAB HOUSING, 2POS.	PRODUCT SPEC: 2.8mm FlaSt. Geh., 2-pol.
APPLICATION SPEC: HERARBEITUNGSSPEZ.	APPLICATION SPEC: HERARBEITUNGSSPEZ.
SIZE: A1	CAGE CODE: 00779
DRAWING NO: 962344	TECHNUNG-NR: 962344
CUSTOMER DRAWING	/KUNDENZEICHNUNG
SCALE: 5:1	SHEET: 1 OF 2
REV: 6	REV: 6

Blechausschnitt



Blechausschnitt



CUSTOMER PART NO	AMP PART NO	REV.	PCS.	MATERIAL	SURFACE COLOR	DESCRIPTION	ITEM NO
-	-	-	-	-	-	SEE SHEET 1	-

<p>THIS DRAWING IS UNCLASSIFIED IT IS SUBJECT TO CHANGE AND THE CONTROLLING ENGINEERING DEPARTMENT SHALL BE CONTACTED FOR THE LATEST REVISION. ALLE DIMENSIONEN SIND IN MILLIMETERN ANGEBEN. DIMENSIONS ARE IN MILLIMETERS UNLESS OTHERWISE SPECIFIED. DIMENSIONS UNLESS OTHERWISE SPECIFIED. DIMENSIONS UNLESS OTHERWISE SPECIFIED.</p>		<p>DATE: 29.03.93 DESIGNED BY: S. Garcia DRAWN BY: W. Stabroth</p>	<p>AMP tyco Electronics AMP GmbH D - 64625 Bensheim</p>
<p>PRODUCT SPEC: 2.8mm FlaSt. Geh., 2-pol.</p>		<p>SIZE: A1</p>	<p>RESTRICTED TO MR. FUER</p>
<p>CUSTOMER DRAWING</p>		<p>00779-962344</p>	<p>5:1</p>

Mouser Electronics

Authorized Distributor

Click to View Pricing, Inventory, Delivery & Lifecycle Information:

[TE Connectivity:](#)

[2-962344-1](#)