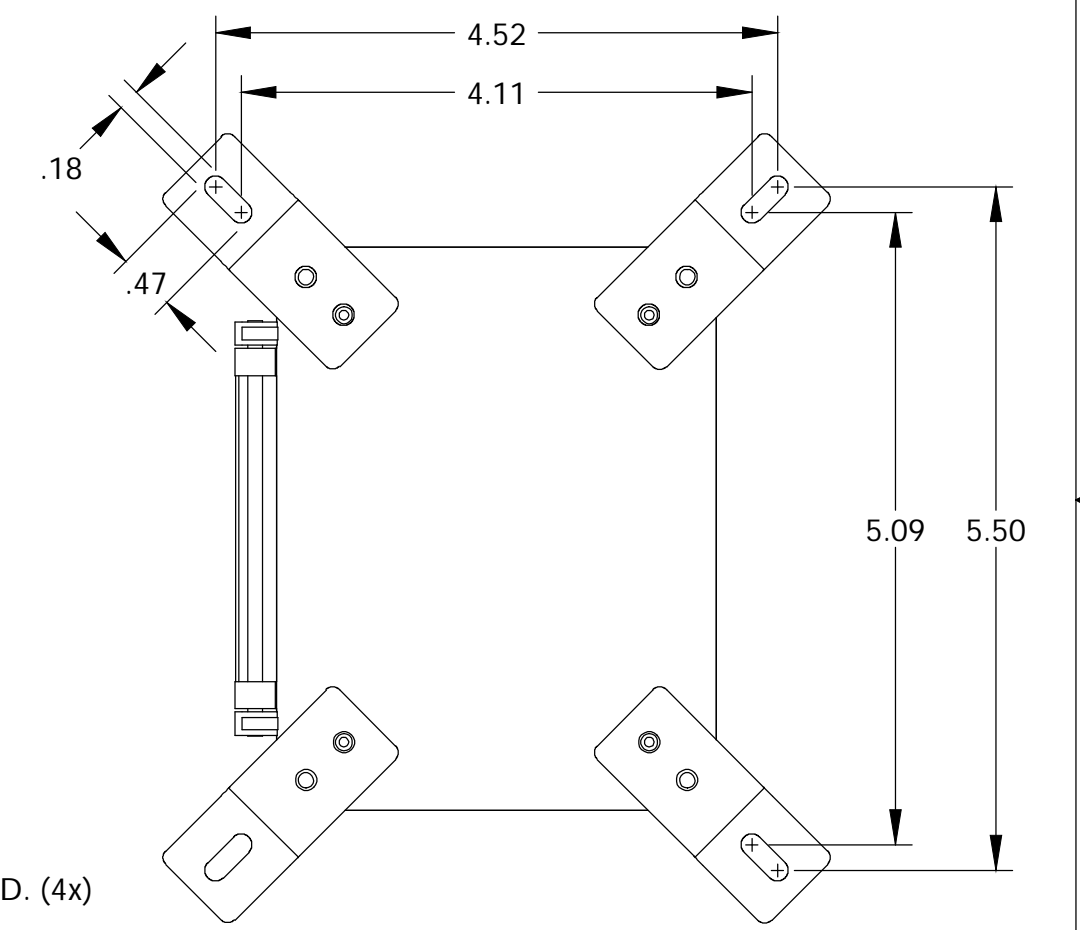
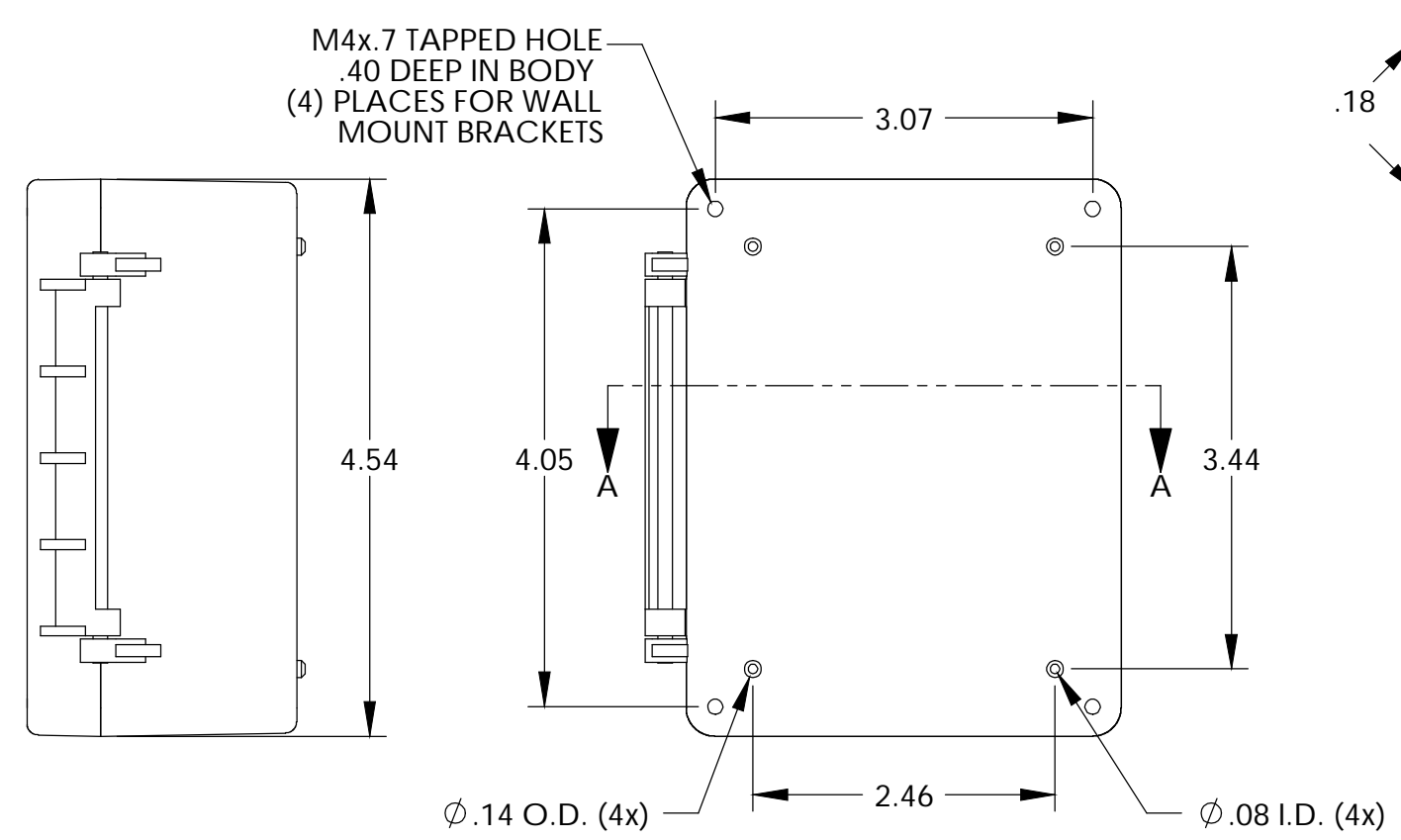
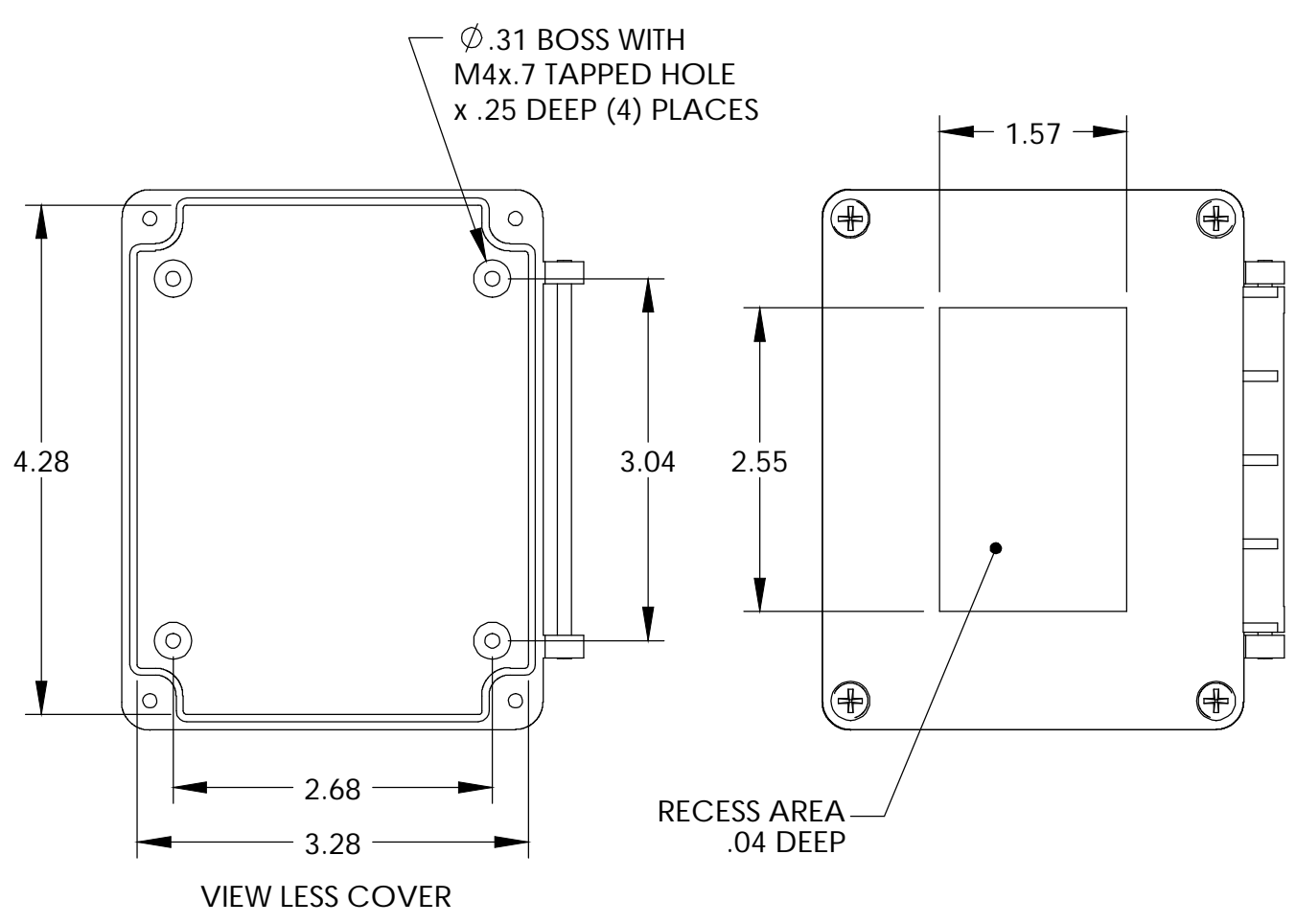
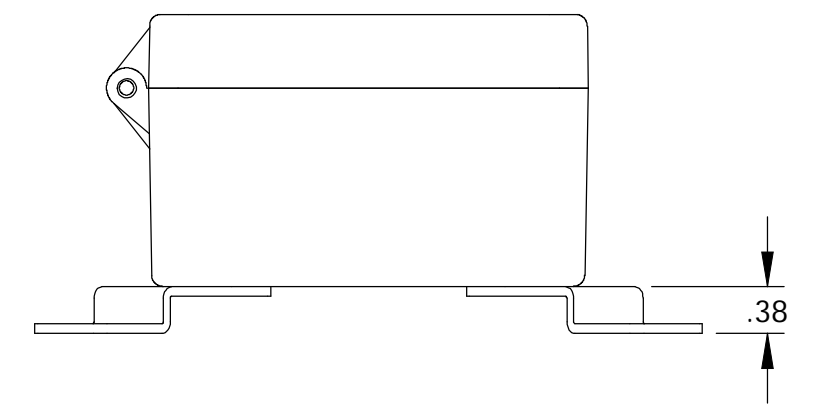
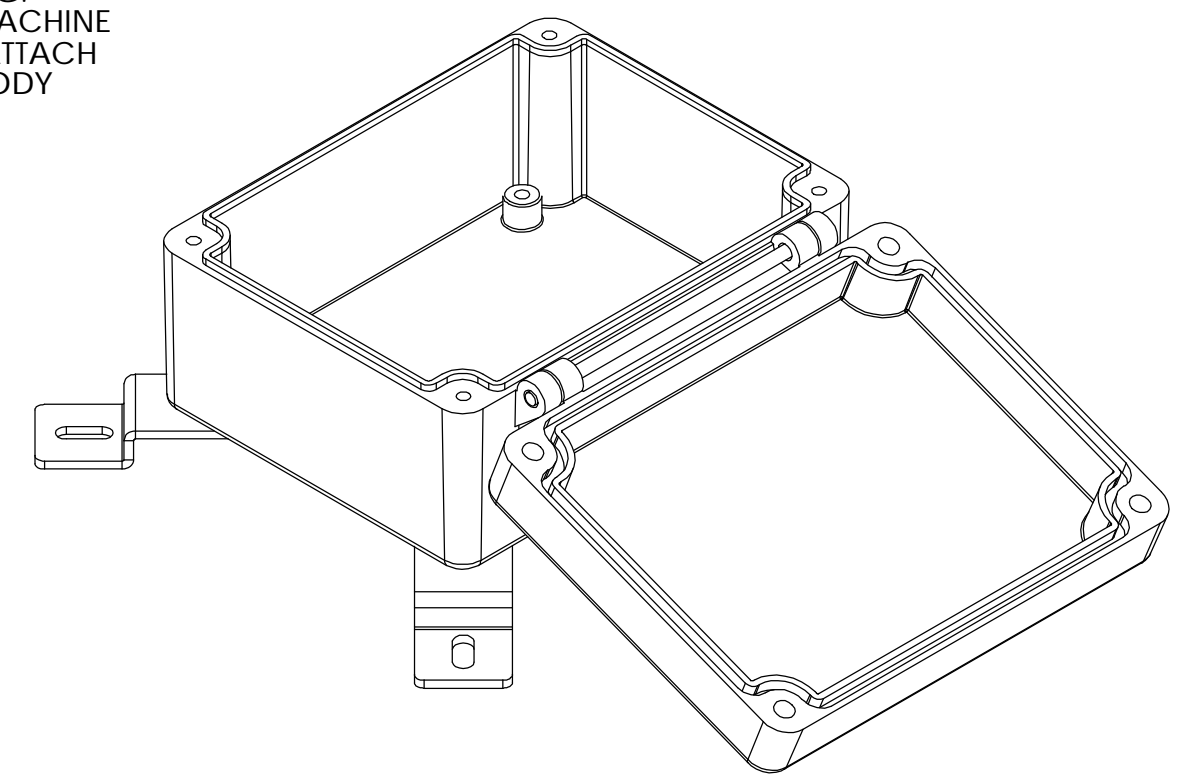
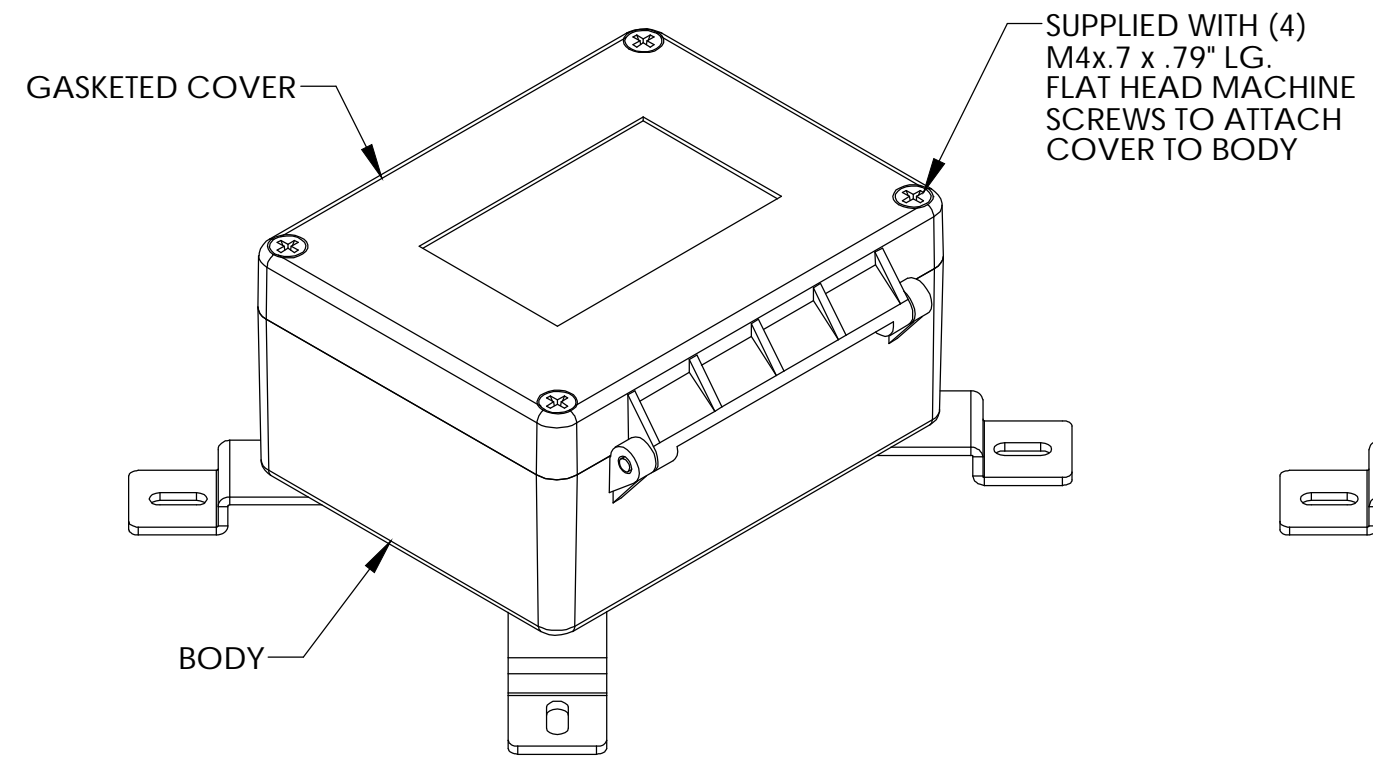
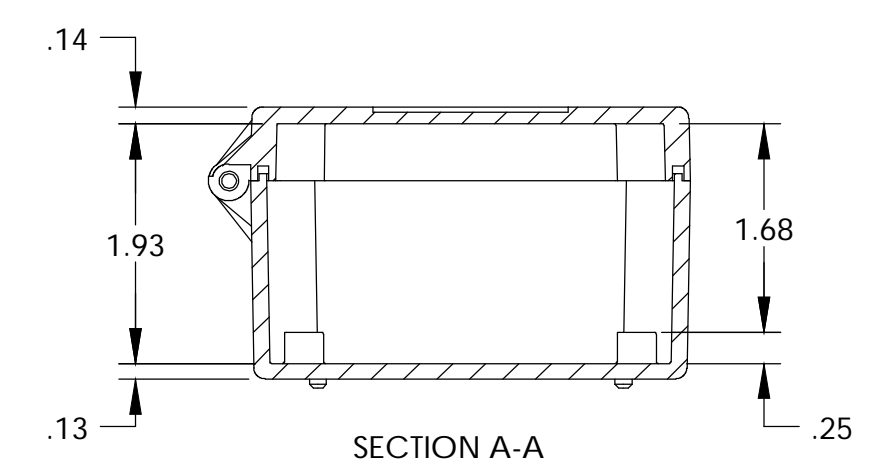
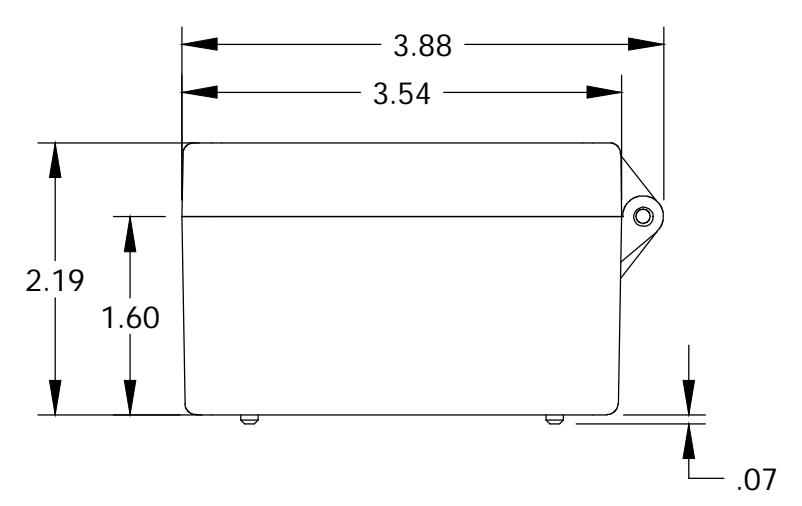


THE INFORMATION CONTAINED IN THIS DRAWING IS THE SOLE PROPERTY OF BUD INDUSTRIES INC. ANY REPRODUCTION IN PART OR WHOLE WITHOUT THE WRITTEN PERMISSION OF BUD INDUSTRIES INC. IS PROHIBITED.

DWG. NO.	AN-2901
ISSUE	REVISIONS
(A)	UPDATED DRAWING 8-8-08 DAB



REFERENCE SHOWN WITH MOUNTING BRACKETS ASSEMBLED (SHIPPED UNASSEMBLED AND SUPPLIED WITH M4x.7 x .33\"/>



MATERIAL: ALUMINUM ADC-12  
FINISH: SMOOTH BLACK POWDERCOAT

QTY.		USED ON		DO NOT SCALE DRAWING		DWG. NO. AN-2901		REV.	

PARTS LIST			
+/- .005 BETWEEN HOLE CENTERS		CAD GENERATED DRAWING. DO NOT MANUALLY UPDATE	
+/- .015 FROM SHEARED EDGE			
+/- .032 FROM A BENT SURFACE			
+/- .062 BETWEEN ASSEMBLED SURFACES			
UNLESS OTHERWISE SPECIFIED			
MATERIAL	AS NOTED	APPROVALS	DATE
		DRAWN	5/31/05
		CHECKED	
		APPROVED	

**BUD INDUSTRIES INC.**  
**NEMA HINGED BOX**

# Mouser Electronics

Authorized Distributor

Click to View Pricing, Inventory, Delivery & Lifecycle Information:

[Bud Industries:](#)

[AN-2901](#)