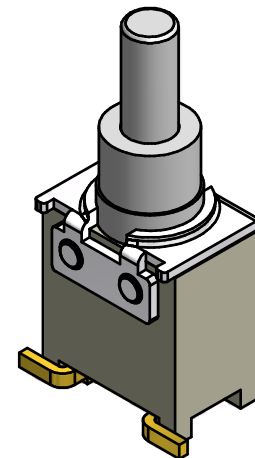
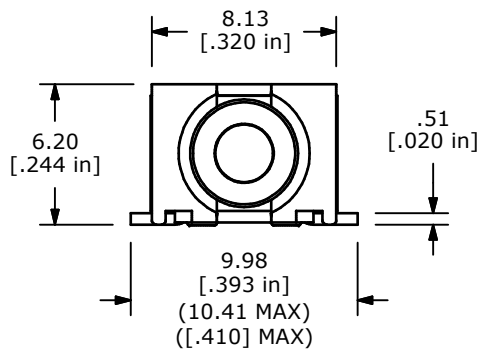
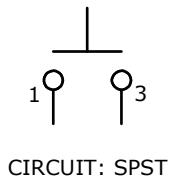


PCB LAYOUT



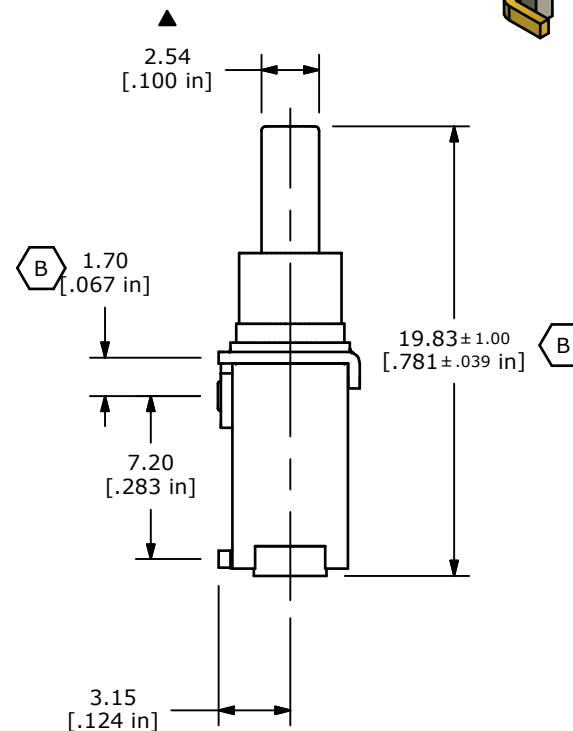
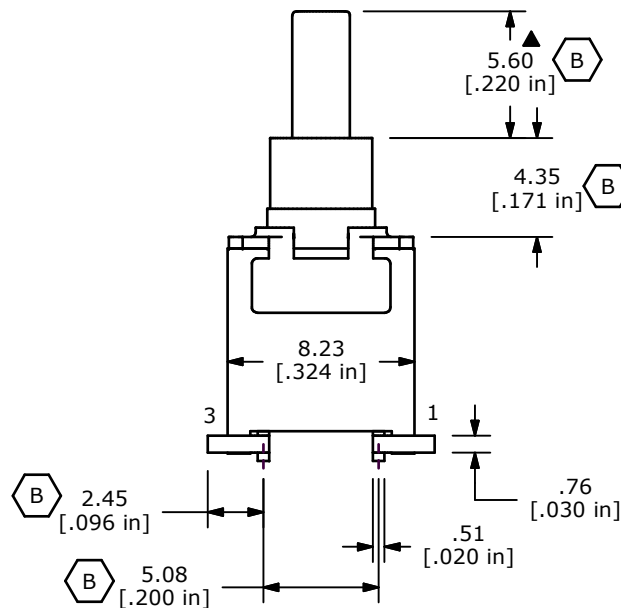
SWITCH FUNCTION	
POS. 1	POS. 2
OFF	(ON)
OPEN	1-3

(ON) = MOMENTARY



NOTES:

1. ALL DIMENSIONS IN MM [INCH].
2. TERMINAL NUMBERS FOR REF. ONLY.
3. GENERAL TOLERANCE: X.X±0.4
X.XX±0.25
4. PLATING MATERIAL: GOLD
- ▲ 5. RATING: 0.4VA @ 20V AC OR DC MAX
6. CONTACT RESISTANCE: 20 Milli-OHMS MAX.
7. MECHANICAL LIFE: 50,000 MAKE AND BREAK CYCLES AT FULL LOAD
8. INSULATION RESISTANCE: 1,000 MEGA-OHM MIN.
9. DIELECTRIC STRENGTH: 1,000 VRMS @ SEA LEVEL
10. OPERATING TEMPERATURE: -30°C TO 85°C
11. ▲ DENOTES CRITICAL PARAMETER
12. PACKAGED 500 PCS. / REEL
13. 2002/95/EC (ROHS) COMPLIANT.



TITLE 800BWSP9SM6RE

F	21447	REDRAW IN 3D, CORRECT DIMENSIONS	4/29/14	EBP
REV	PCR NO	DESCRIPTION	DATE	BY

SCALE	DATE	DR	DWG	REV
	4/30/2014	EBP	T833015	F

THE INFORMATION CONTAINED IN THIS DOCUMENT IS PROPRIETARY TO E-SWITCH AND IS NOT TO BE COPIED OR TRANSFERRED

Mouser Electronics

Authorized Distributor

Click to View Pricing, Inventory, Delivery & Lifecycle Information:

[E-Switch:](#)

[800BWSP9SM6RE](#)