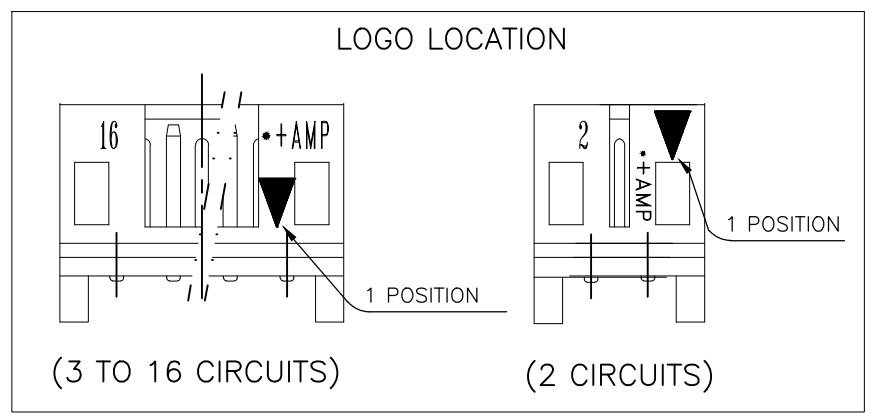
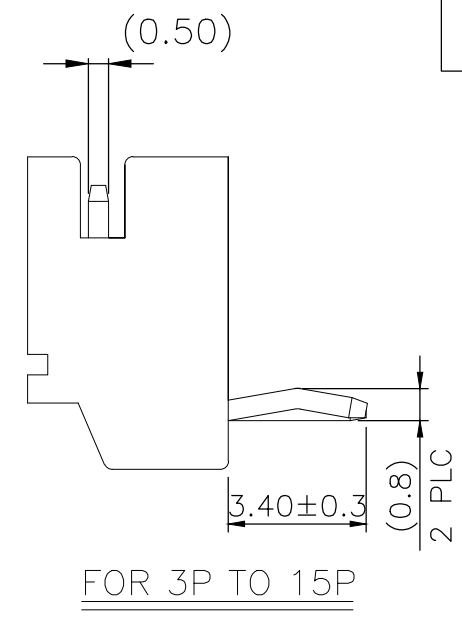
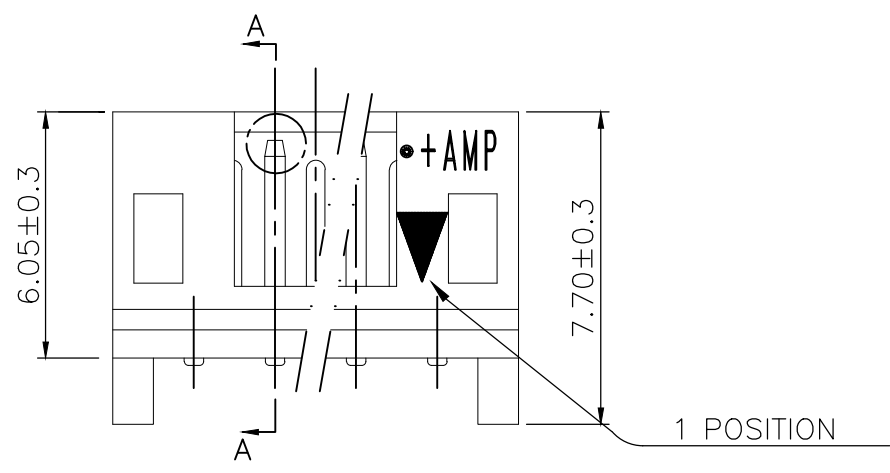
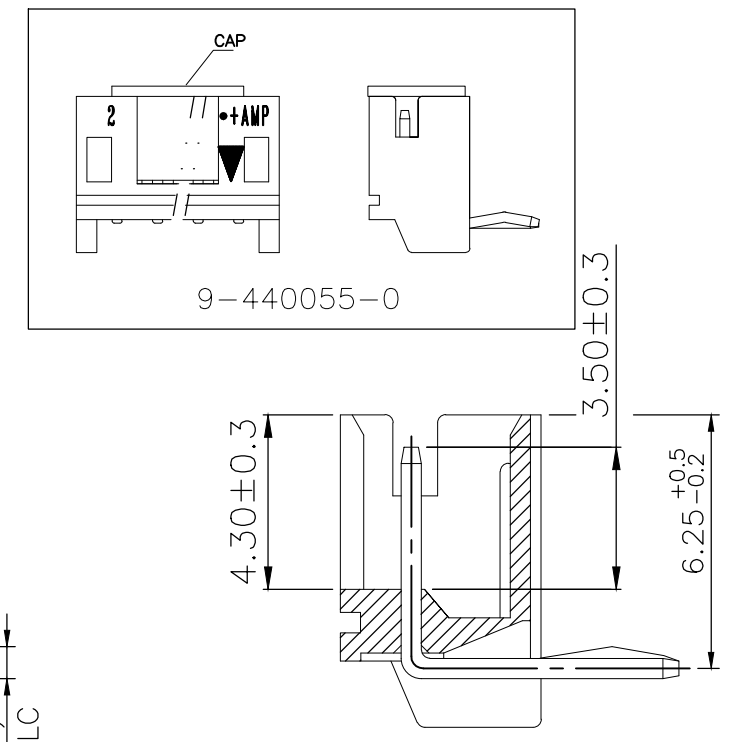
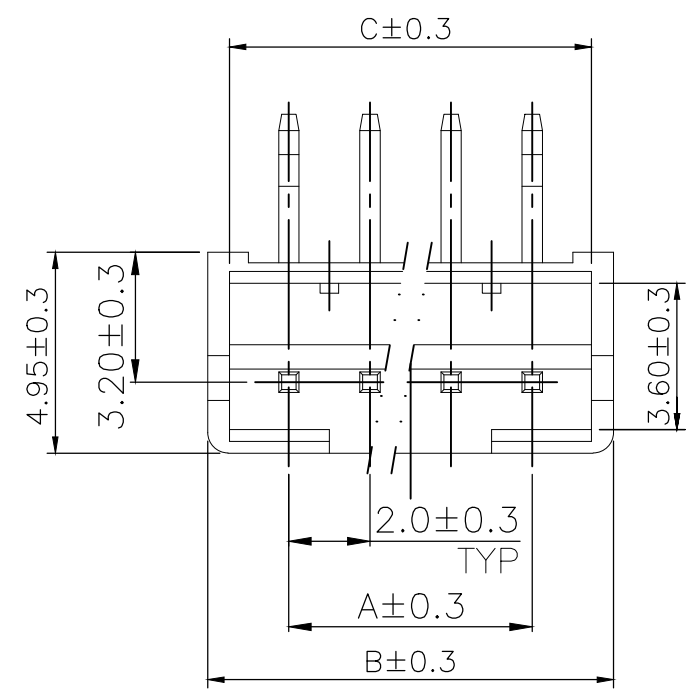


THIS DRAWING IS UNPUBLISHED. RELEASED FOR PUBLICATION . . . - 09JUN2003  
 © COPYRIGHT - By - ALL RIGHTS RESERVED.

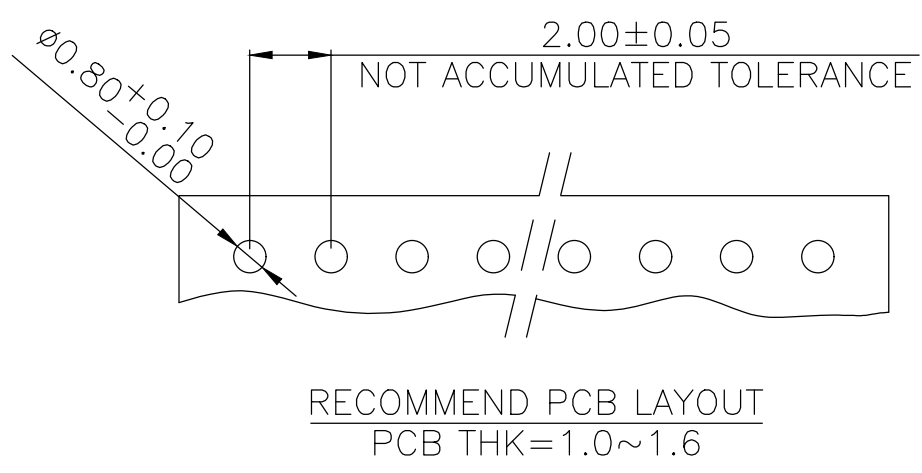
REVISIONS					
P	LTR	DESCRIPTION	DATE	DWN	APVD
B3		REVISED ECR-18-007535	19OCT2018	T.Q	W.H



NOTE:  
 1. MATERIAL :  
 HOUSING : TGERMOPLASTIC UL94V-0  
 CONTACT : BRASS THICKNESS=0.5mm  
 2. FINISH:  
 CONTACT : 80u" MIN. TIN PLATED OVER ALL.



COLOR	DIM C	DIM B	DIM A	POS.	PART NUMBER
GREEN	8.90	10.00	6.00	4P	9-440055-4
	10.90	12.00	8.00	5P	8-440055-5
	8.90	10.00	6.00	4P	8-440055-4
RED	6.90	8.00	4.00	3P	8-440055-3
	4.90	6.00	2.00	2P	8-440055-2
	10.90	12.00	8.00	5P	6-440055-5
BLACK	8.90	10.00	6.00	4P	6-440055-4
	6.90	8.00	4.00	3P	6-440055-3
	4.90	6.00	2.00	2P	6-440055-2
YELLOW	24.90	26.00	22.00	12P	5-440055-2
	22.90	24.00	20.00	11P	5-440055-1
	20.90	22.00	18.00	10P	5-440055-0
	18.90	20.00	16.00	9P	4-440055-9
	16.90	18.00	14.00	8P	4-440055-8
	14.90	16.00	12.00	7P	4-440055-7
	12.90	14.00	10.00	6P	4-440055-6
	10.90	12.00	8.00	5P	4-440055-5
	8.90	10.00	6.00	4P	4-440055-4
	6.90	8.00	4.00	3P	4-440055-3
4.90	6.00	2.00	2P	4-440055-2	
BLUE	10.90	12.00	8.00	5P	2-440055-5
	8.90	10.00	6.00	4P	2-440055-4
	6.90	8.00	4.00	3P	2-440055-3
	4.90	6.00	2.00	2P	2-440055-2
NATURAL WHITE	20.90	22.00	18.00	10P	9-440055-0
	32.90	34.00	30.00	16P	1-440055-6
	30.90	32.00	28.00	15P	1-440055-5
	28.90	30.00	26.00	14P	1-440055-4
	26.90	28.00	24.00	13P	1-440055-3
	24.90	26.00	22.00	12P	1-440055-2
	22.90	24.00	20.00	11P	1-440055-1
	20.90	22.00	18.00	10P	1-440055-0
	18.90	20.00	16.00	9P	440055-9
	16.90	18.00	14.00	8P	440055-8
14.90	16.00	12.00	7P	440055-7	
12.90	14.00	10.00	6P	440055-6	
10.90	12.00	8.00	5P	440055-5	
8.90	10.00	6.00	4P	440055-4	
6.90	8.00	4.00	3P	440055-3	
4.90	6.00	2.00	2P	440055-2	



THIS DRAWING IS A CONTROLLED DOCUMENT.		DWN	O.HU	09JUN2003	<b>STE</b> TE Connectivity
		CHK	A.WU	09JUN2003	
		APVD	J.CHENG	09JUN2003	NAME
		PRODUCT SPEC			2.0 MM PITCH HPI RIGHT-ANGLE POST HEADERS
		108-57100			
		APPLICATION SPEC			SIZE
		WEIGHT			CAGE CODE
		CUSTOMER DRAWING			DRAWING NO
		SCALE			RESTRICTED TO
		SHEET			REV
		1 OF 3			B3

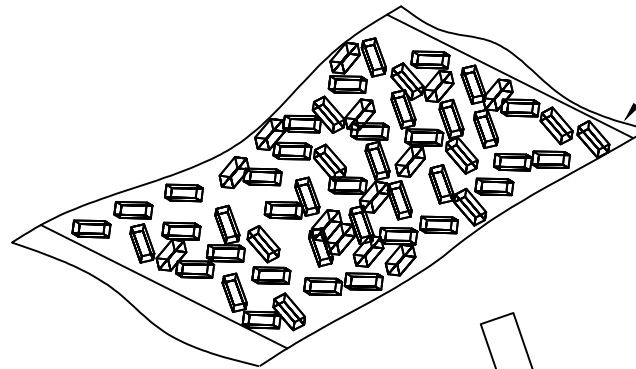
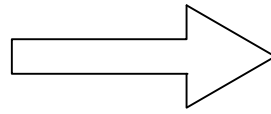
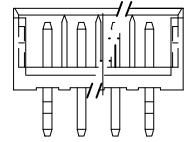
THIS DRAWING IS UNPUBLISHED.

RELEASED FOR PUBLICATION - 09JUN2003

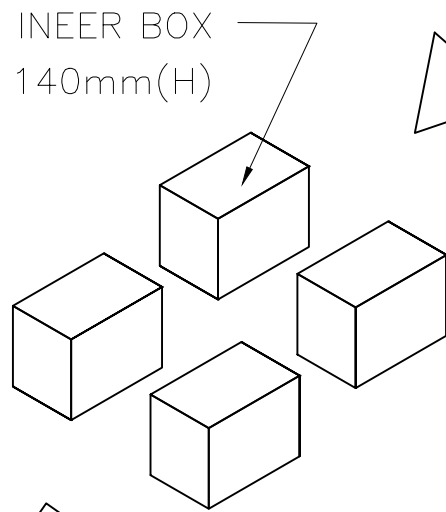
REVISIONS

© COPYRIGHT - By - ALL RIGHTS RESERVED.

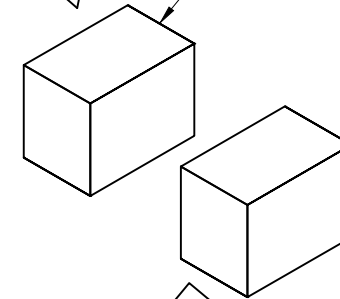
P	LTR	DESCRIPTION	DATE	DWN	APVD
-	-	SEE SHEET 1	-	-	-



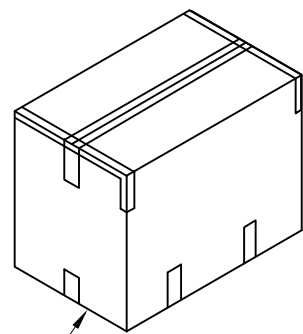
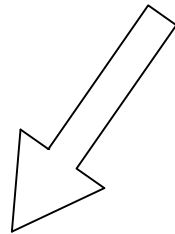
POLY BAG  
127mm(L)X 203mm(W)X 0.07mm(H)



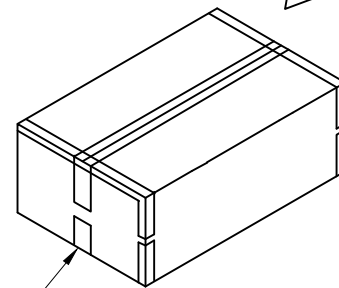
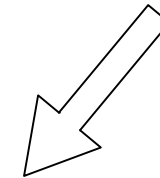
INEER BOX  
320mm(L)X 220mm(W)X 140mm(H)



INEER BOX  
320mm(L)X 220mm(W)X 140mm(H)



CARTON  
340mm(L)X 470mm(W)X 316mm(H)  
(FOR HEADER 6P~16P ONLY)



CARTON  
340mm(L)X 470mm(W)X 168mm(H)  
(FOR HEADER 2P~5P ONLY)

17,600	550	4P	9-440055-4
14,400	450	5P	8-440055-5
17,600	550	4P	8-440055-4
24,000	1,000	3P	8-440055-3
32,000	1,000	2P	8-440055-2
14,400	450	5P	6-440055-5
17,600	550	4P	6-440055-4
24,000	1,000	3P	6-440055-3
32,000	1,000	2P	6-440055-2
12,800	200	12P	5-440055-2
14,000	250	11P	5-440055-1
14,000	250	10P	5-440055-0
16,800	300	9P	4-440055-9
19,200	300	8P	4-440055-8
22,400	350	7P	4-440055-7
25,600	400	6P	4-440055-6
14,400	450	5P	4-440055-5
17,600	550	4P	4-440055-4
24,000	1,000	3P	4-440055-3
32,000	1,000	2P	4-440055-2
14,400	450	5P	2-440055-5
17,600	550	4P	2-440055-4
24,000	1,000	3P	2-440055-3
32,000	1,000	2P	2-440055-2
10,080	180	16P	1-440055-6
10,800	180	15P	1-440054-5
10,400	200	14P	1-440055-4
9,600	200	13P	1-440055-3
12,800	200	12P	1-440055-2
14,000	250	11P	1-440055-1
14,000	250	10P	1-440055-0
16,800	300	9P	440055-9
19,200	300	8P	440055-8
22,400	350	7P	440055-7
25,600	400	6P	440055-6
14,400	450	5P	440054-5
17,600	550	4P	440055-4
24,000	1,000	3P	440055-3
32,000	1,000	2P	440055-2
APQ (PCS/CARTON)	PPQ (PCS/BAG)	POS.	PART NUMBER

THIS DRAWING IS A CONTROLLED DOCUMENT.		DWN O.HU 09JUN2003	TE Connectivity				
		CHK A.WU 09JUN2003					
		APVD J.CHENG 09JUN2003	NAME				
DIMENSIONS: mm 		PRODUCT SPEC 108-57100	2.0 MM PITCH HPI RIGHT-ANGLE POST HEADERS				
TOLERANCES UNLESS OTHERWISE SPECIFIED: 0 PLC ± 0.3 1 PLC ± 0.25 2 PLC ± 0.15 3 PLC ± 0.05 4 PLC ± - ± - ANGLES ± - ± -		APPLICATION SPEC -	SIZE A3	CAGE CODE 00779	DRAWING NO C-440055	RESTRICTED TO -	
MATERIAL -		FINISH -	WEIGHT -	SCALE 1:1		SHEET 2 OF 3	REV B3
CUSTOMER DRAWING							

THIS DRAWING IS UNPUBLISHED.

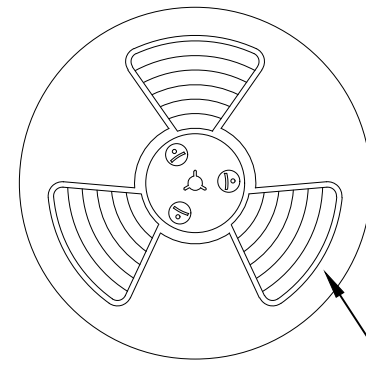
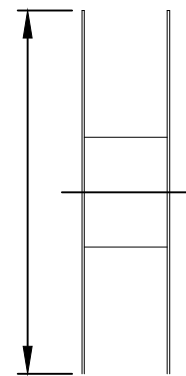
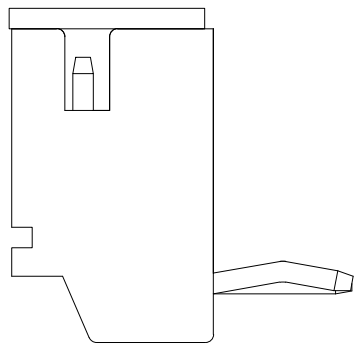
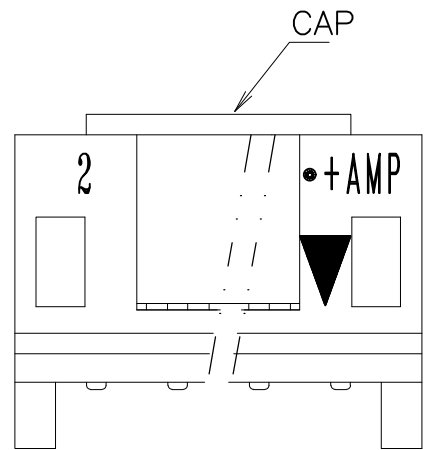
RELEASED FOR PUBLICATION - 09JUN2003

REVISIONS

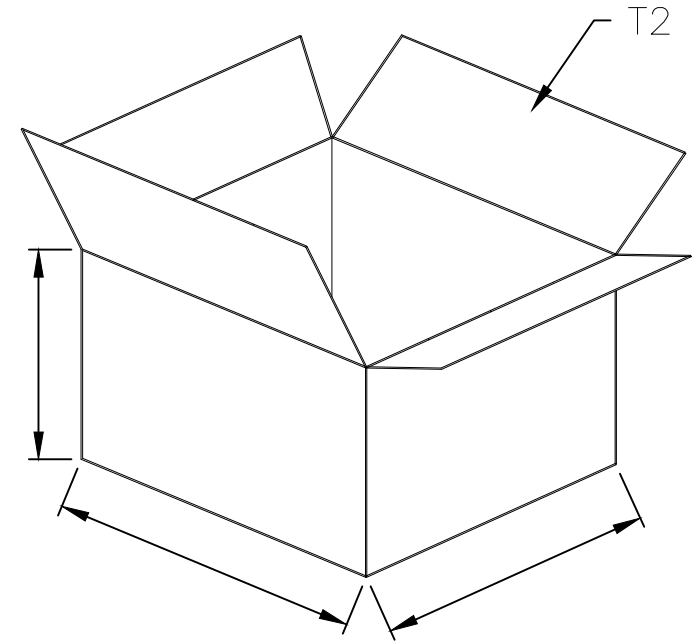
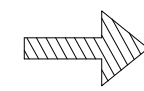
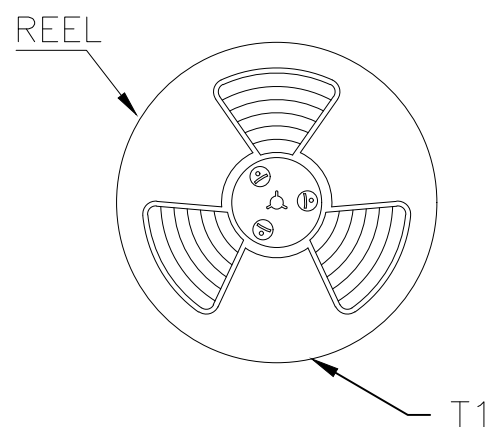
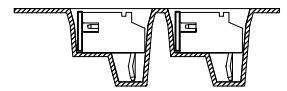
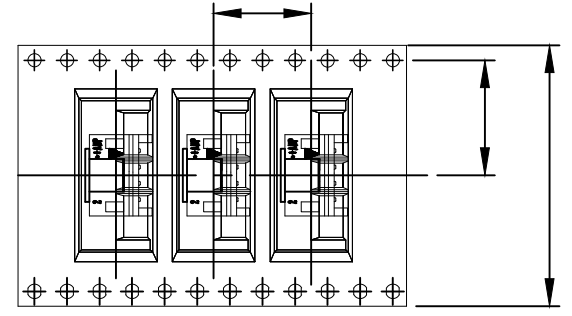
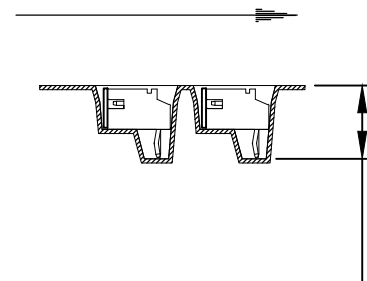
© COPYRIGHT - By -

ALL RIGHTS RESERVED.

P	LTR	DESCRIPTION	DATE	DWN	APVD
-	-	SEE SHEET 1	-	-	-



PULL OUT DIRECTION



POS	B(mm)	PCS./REEL	PCS/CARTON-T2
10P	44	600 PCS.	600X4=2400PCS

NOTE:  
9-440055-0 10POS WAVE SOLDER PART CAP TYPE.

THIS DRAWING IS A CONTROLLED DOCUMENT.		DWN O.HU 09JUN2003	<b>STE</b> TE Connectivity	
DIMENSIONS: mm		CHK A.WU 09JUN2003		
TOLERANCES UNLESS OTHERWISE SPECIFIED:		APVD J.CHENG 09JUN2003	NAME	
0 PLC ± 0.3		PRODUCT SPEC	2.0 MM PITCH HPI RIGHT-ANGLE POST HEADERS	
1 PLC ± 0.25		108-57100	SIZE	
2 PLC ± 0.15		APPLICATION SPEC	CAGE CODE	DRAWING NO
3 PLC ± 0.05		—	A300779	C-440055
4 PLC ± - ± -		WEIGHT	RESTRICTED TO	
ANGLES ± - ± -		—	—	
MATERIAL		CUSTOMER DRAWING	SCALE	SHEET
FINISH		—	1:1	3 of 3
2400 APQ (PCS/CARTON)		REV		B3
600 PPQ (PCS/REEL)		REV		B3
10P POS. PART NUMBER		REV		B3
9-440055-0		REV		B3