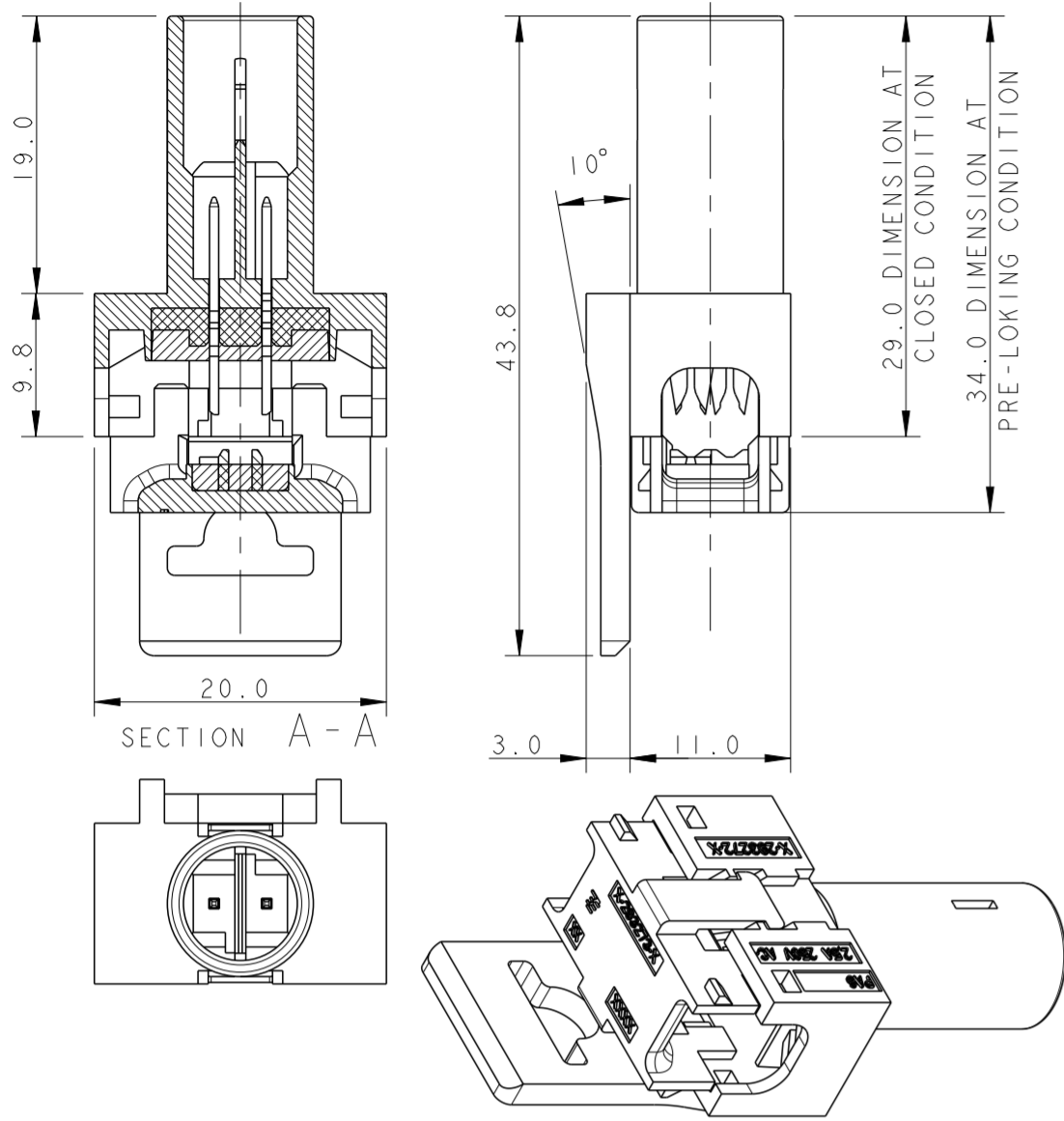
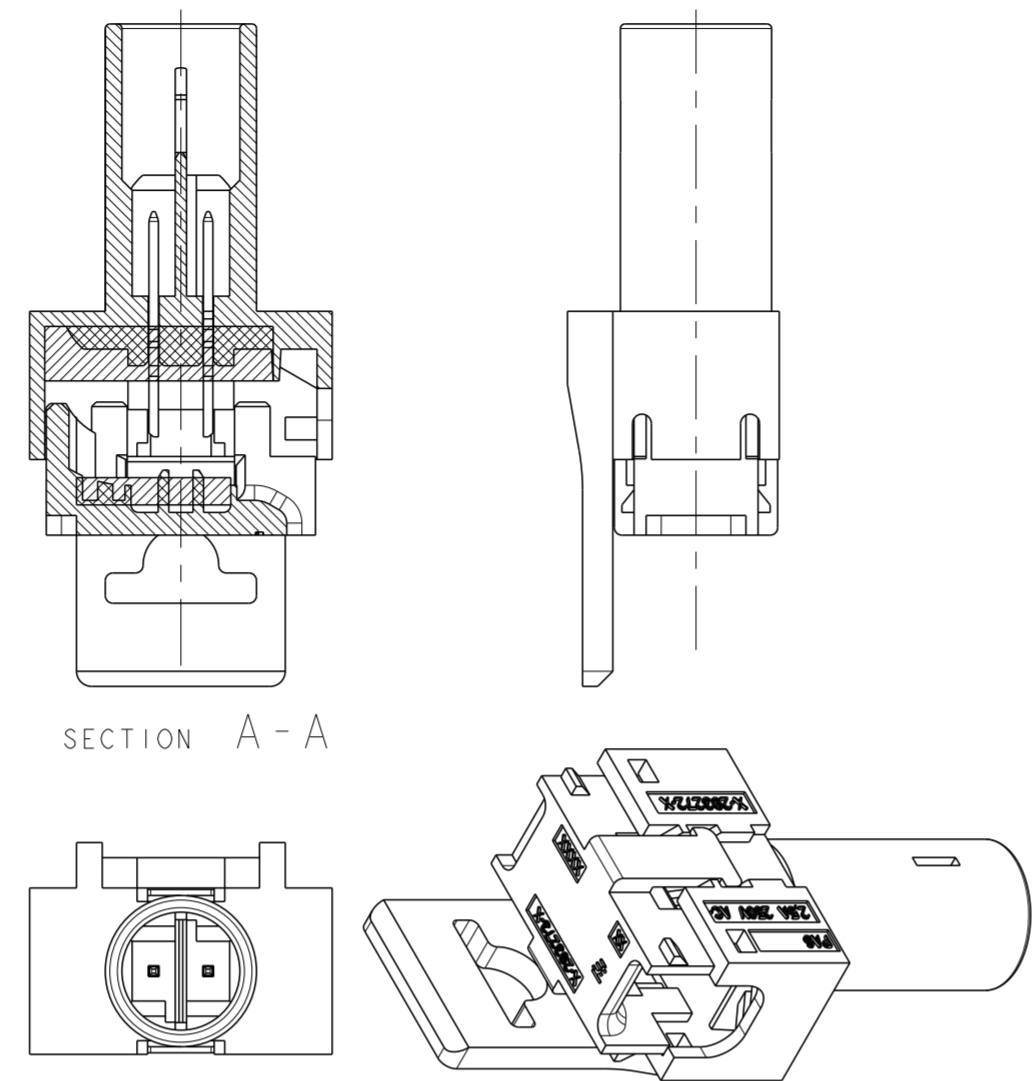


THIS DRAWING IS UNPUBLISHED. RELEASED FOR PUBLICATION 20
 © COPYRIGHT 20 BY - ALL RIGHTS RESERVED.

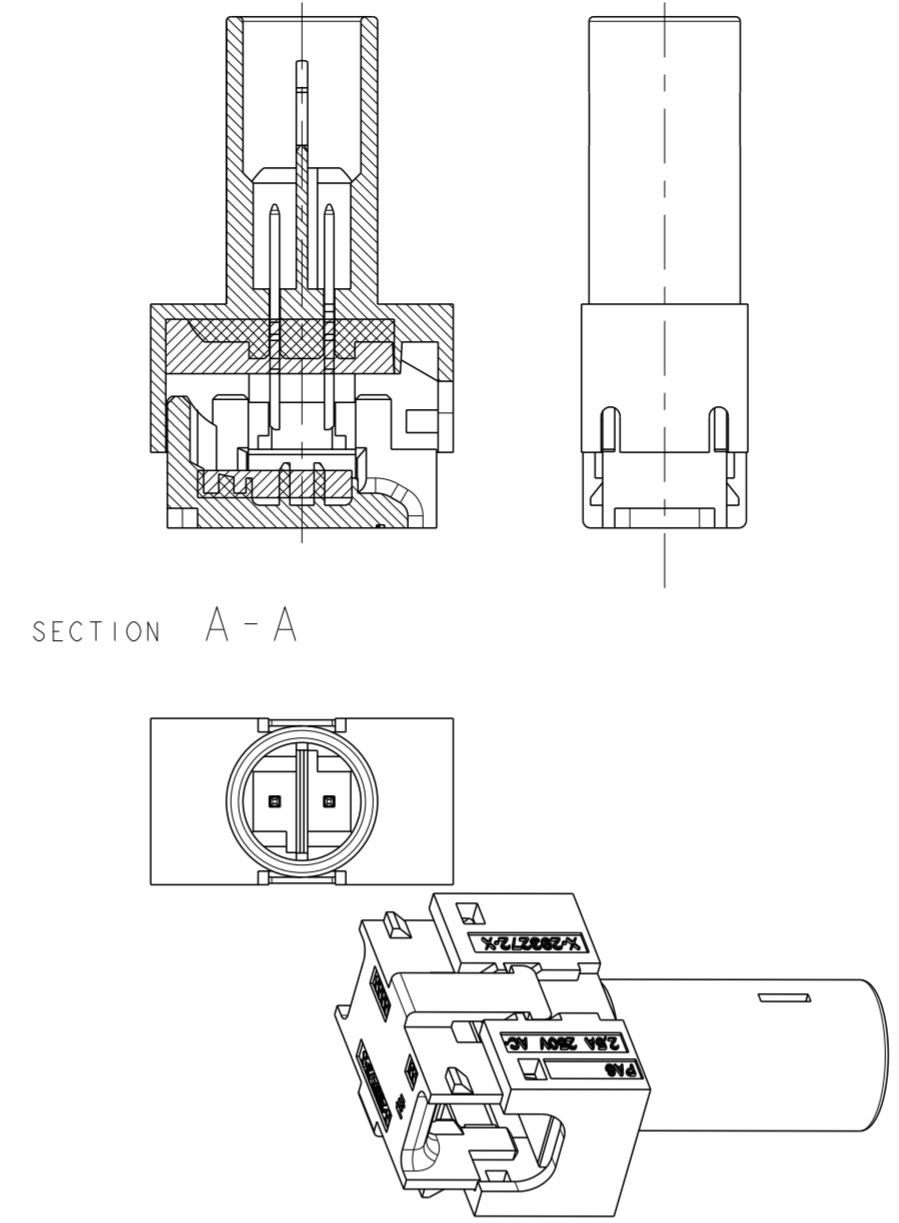
P/N 0-293270-1 AS SHOWN
 POLARIZATION KEY HV-1



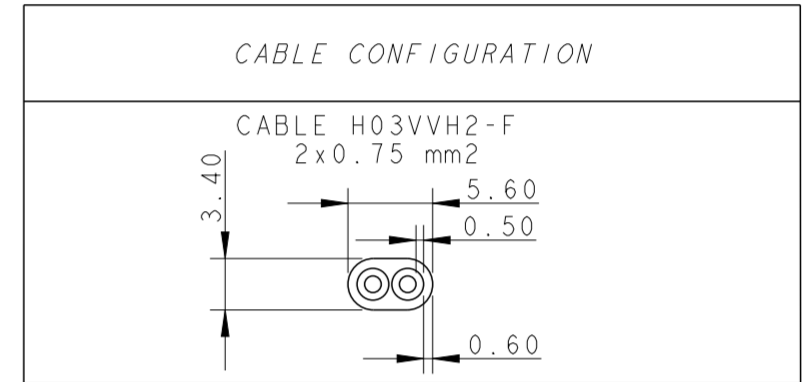
P/N 0-293270-2 AS SHOWN
 POLARIZATION KEY HV-1



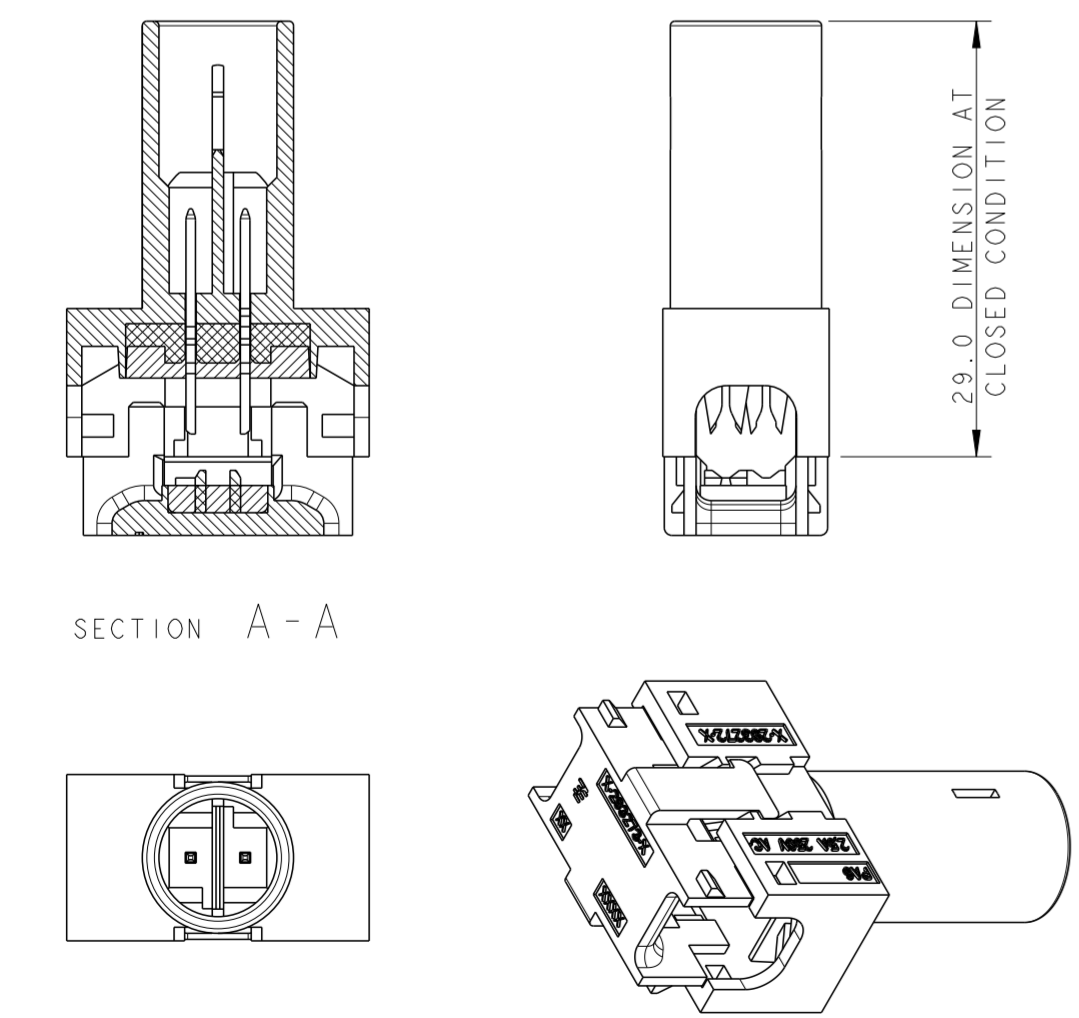
P/N 0-293270-9 AS SHOWN
 POLARIZATION KEY HV-1



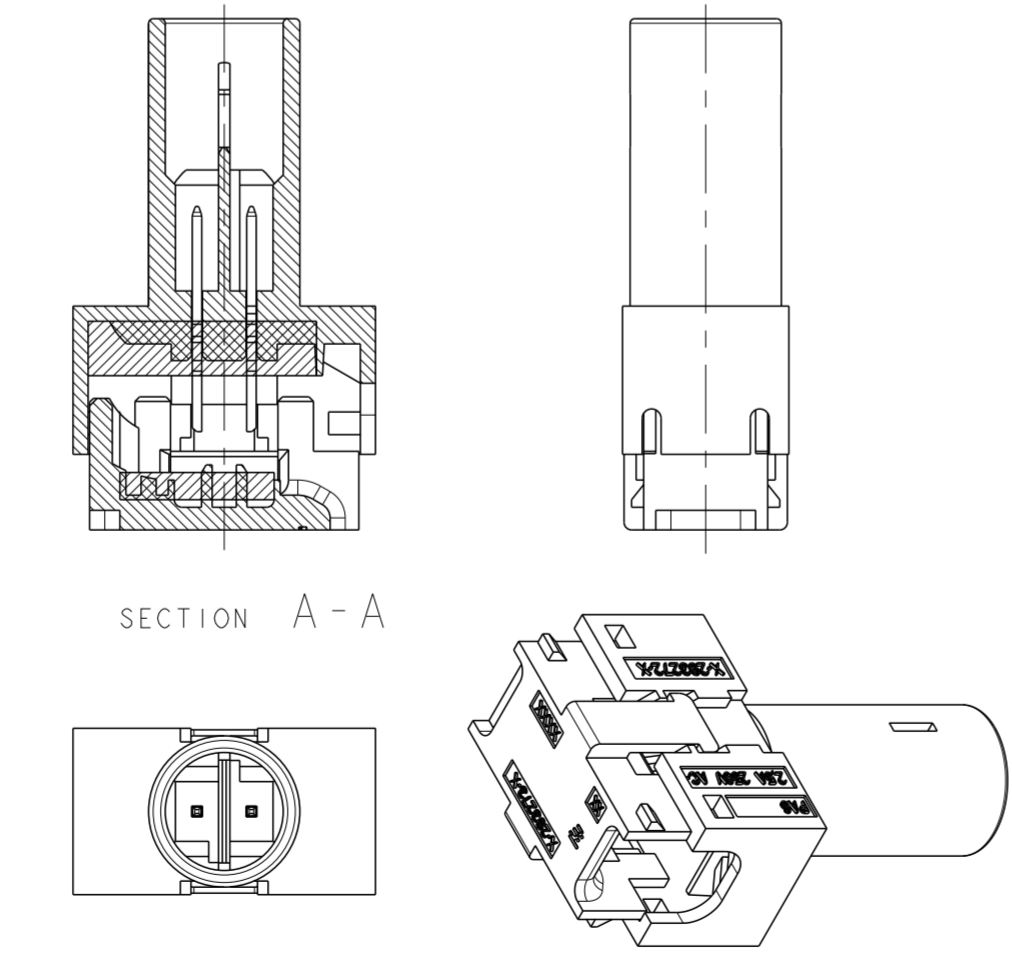
REVISIONS					
P	LTR	DESCRIPTION	DATE	DWN	APVD
T		REVISED PER ECR-14-006605	21MAY2014	RS	DD
V		ECR-14-018570	15DEC2014	KR	JC
Y		REVISED PER ECR-17-008252	19JUN2017	RK	JL
YI		ADDED PN 1--0	15OCT2018	MZ	MZ



P/N 0-293270-3 AS SHOWN
 POLARIZATION KEY HV-1



P/N 0-293270-4 AS SHOWN
 POLARIZATION KEY HV-1



NOTES:
 CONTACTS BRASS PRE TINNED
 HOUSINGS POLYAMMIDE UL94 V0

MISSING DIMENSION SEE P/N 0-...-1

NOTES	PART NUMBER	DESCRIPTION	POL. KEY	COLOR
PRELIMINARY	1-293270-0	CONNECTOR WITHOUT FLANGE	LV-2	BLACK
	293270-9	END CONNECTOR WITHOUT FLANGE	HV-1	BLACK
	293270-8	END CONNECTOR WITHOUT FLANGE	LV-2	YELLOW
	293270-7	CONNECTOR WITHOUT FLANGE	LV-2	YELLOW
	293270-6	END CONNECTOR WITH FLANGE	LV-2	YELLOW
	293270-5	CONNECTOR WITH FLANGE	LV-2	YELLOW
	293270-4	END CONNECTOR WITHOUT FLANGE	HV-1	WHITE
	293270-3	CONNECTOR WITHOUT FLANGE	HV-1	WHITE
	293270-2	END CONNECTOR WITH FLANGE	HV-1	WHITE
	293270-1	CONNECTOR WITH FLANGE	HV-1	WHITE

THIS DRAWING IS A CONTROLLED DOCUMENT.

DIMENSIONS:	TOLERANCES UNLESS OTHERWISE SPECIFIED:	DWN	18JAN2007	TE Connectivity NAME BUS BAR 2 POSITION SEALED
mm	0 PLC ±	CHK	A. Vecchia	
	1 PLC ±0.3	APVD	G. Turco	
	2 PLC ±0.05	APVD	G. Turco	
	3 PLC ±	PRODUCT SPEC	24MAY2007	108-94018
	4 PLC ±	APPLICATION SPEC		114-20131
MATERIAL	FINISH	WEIGHT		-
		CUSTOMER DRAWING	SCALE	2:1

RESTRICTED TO -

SHEET 1 OF 2 REV YI

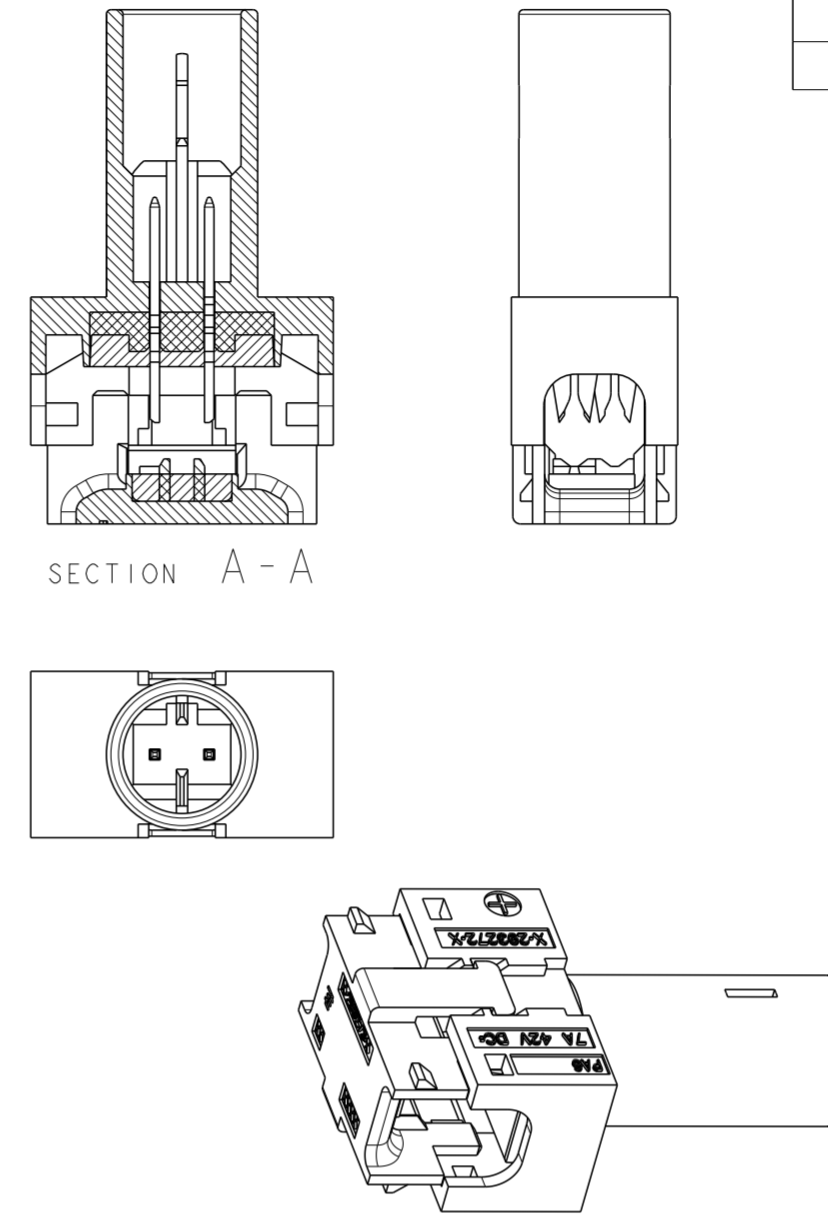
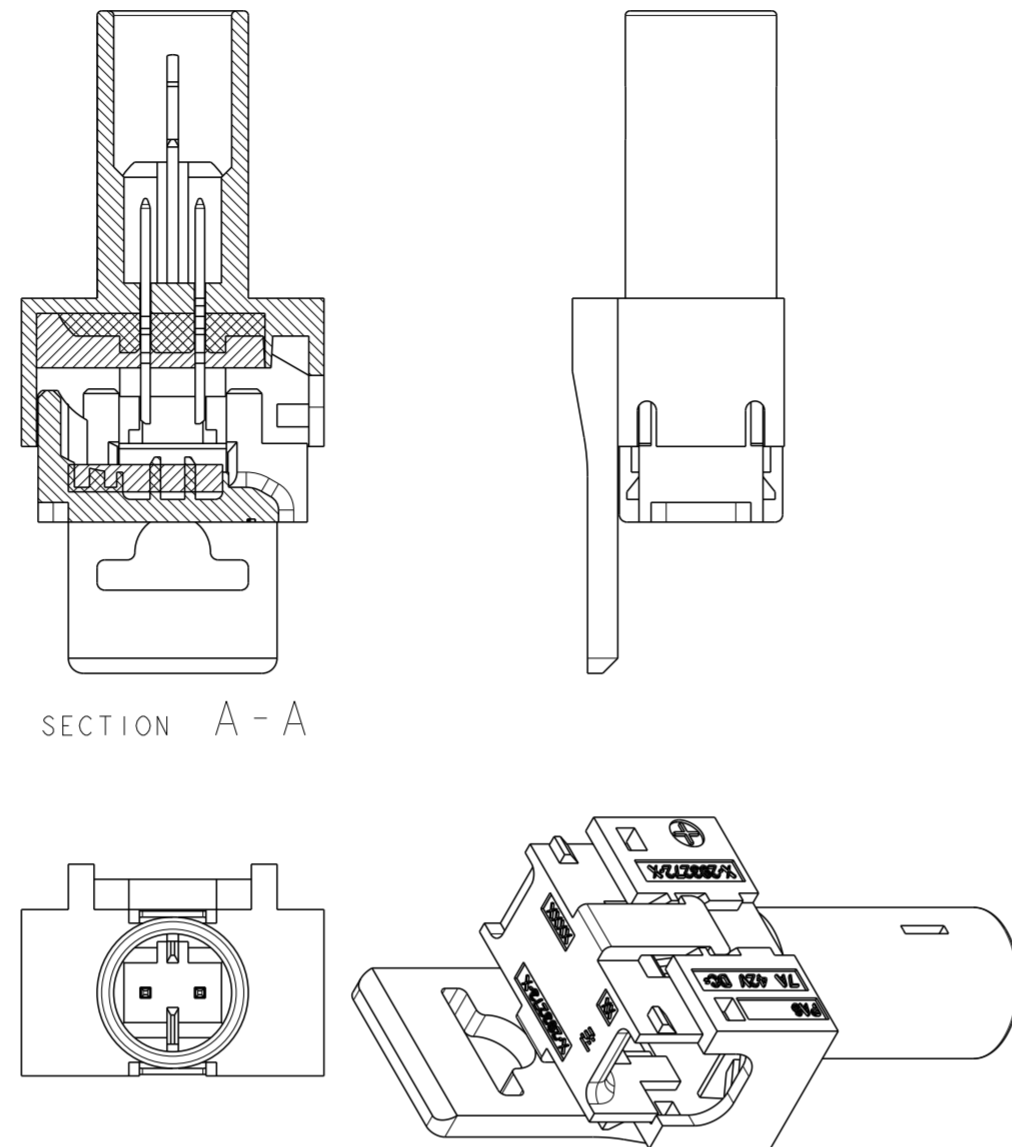
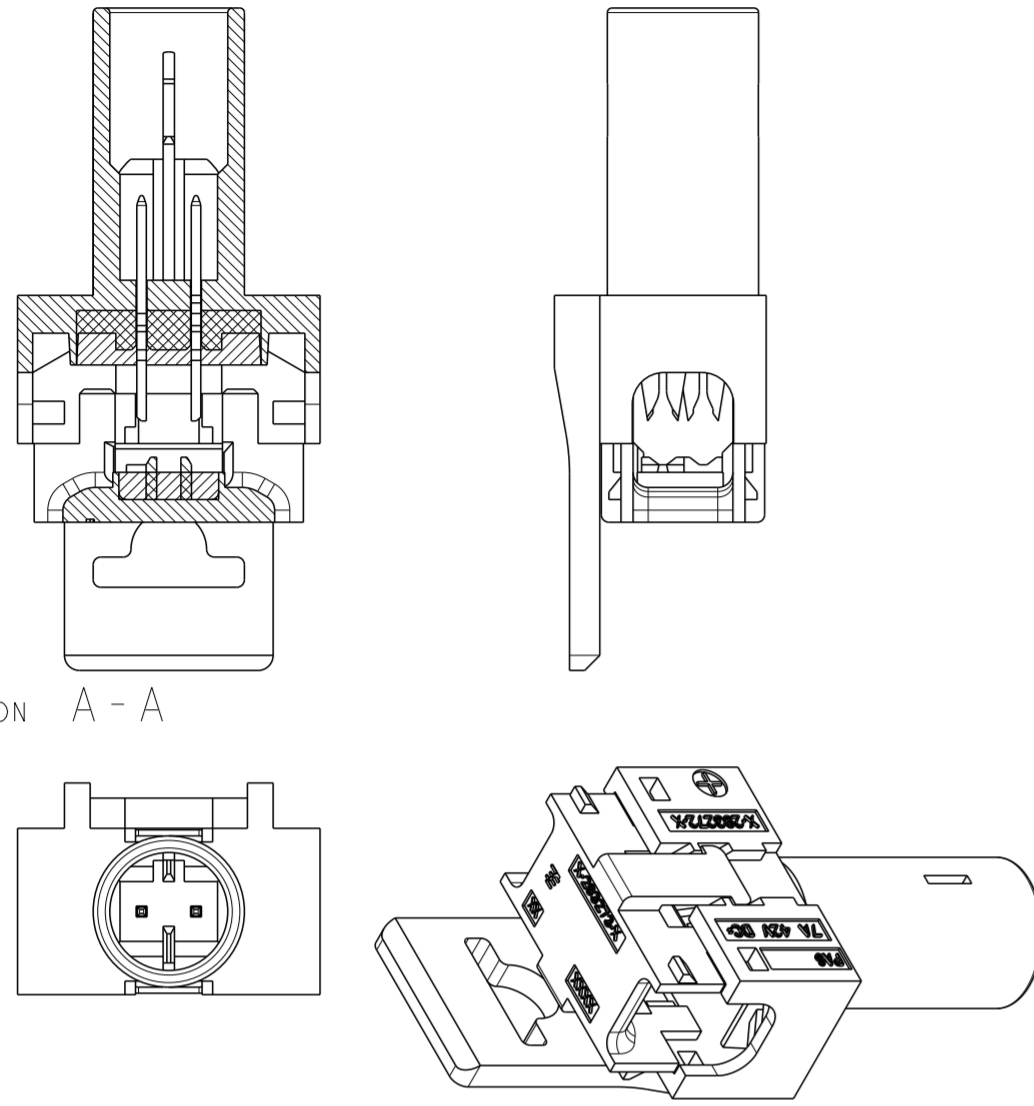
THIS DRAWING IS UNPUBLISHED. RELEASED FOR PUBLICATION 20
 © COPYRIGHT 20 BY - ALL RIGHTS RESERVED.

REVISIONS				
P	LTR	DESCRIPTION	DATE	APVD
-	-	SEE SHEET 1	-	-

P/N 0-293270-5 AS SHOWN
 POLARIZATION KEY LV-2

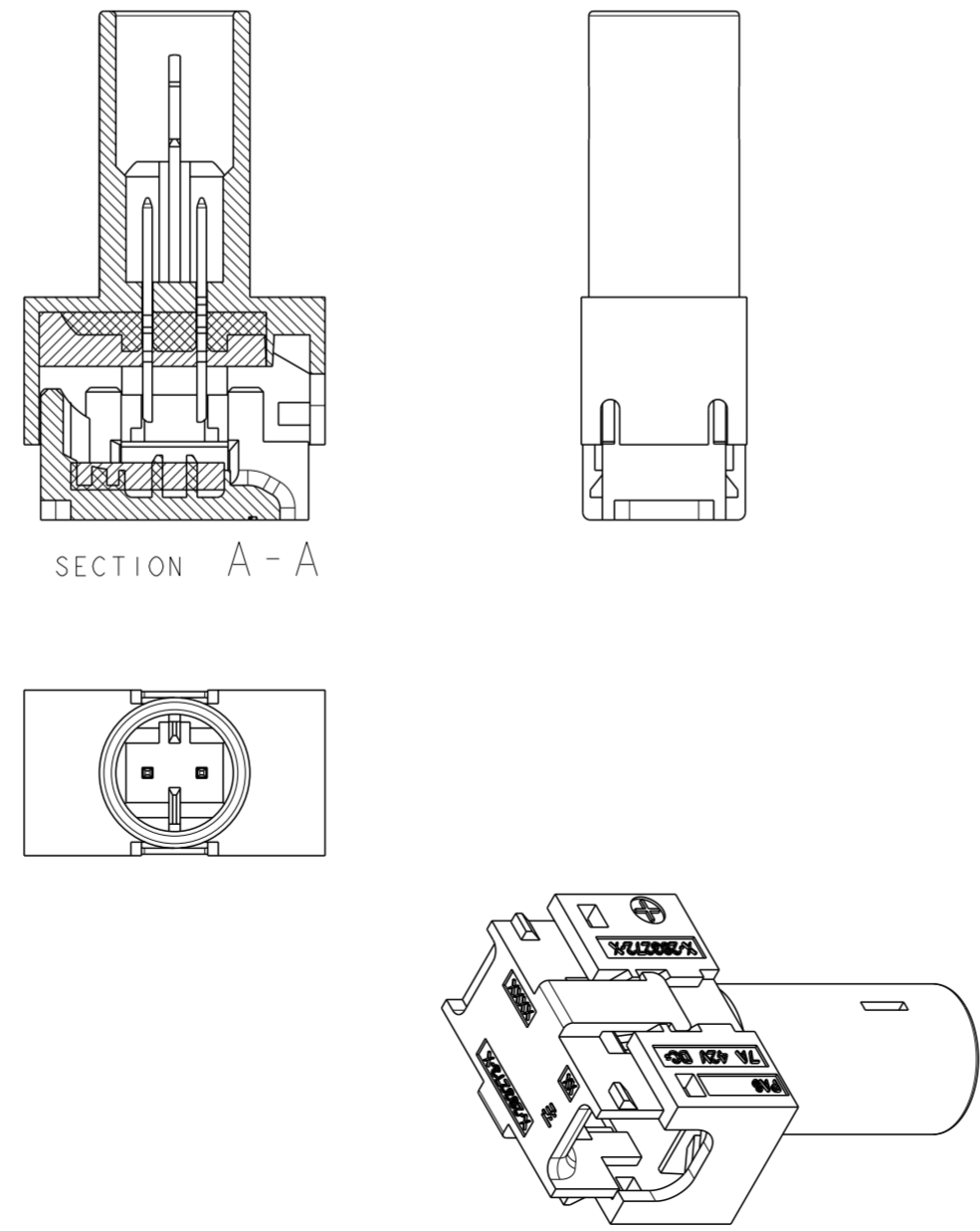
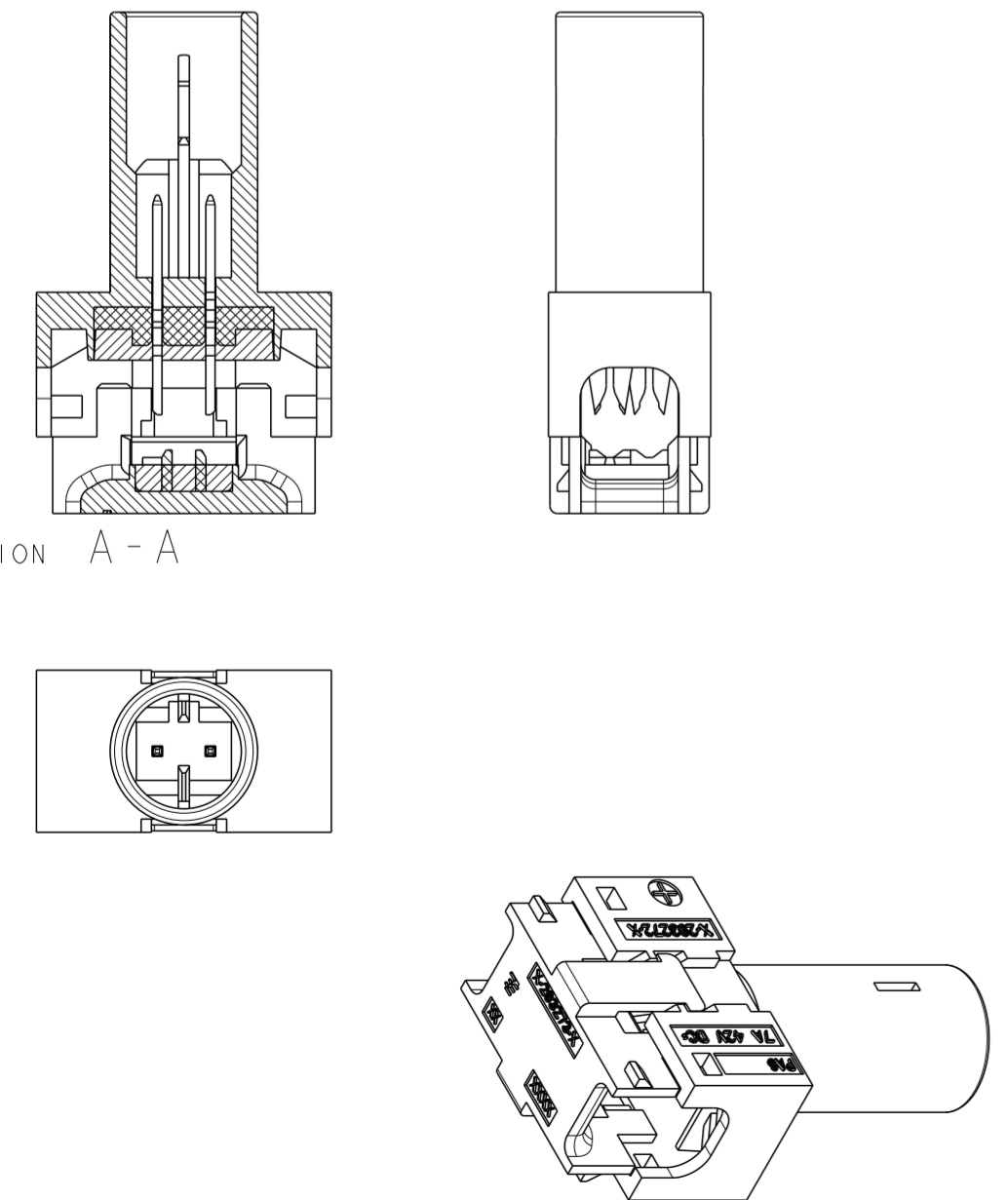
P/N 0-293270-6 AS SHOWN
 POLARIZATION KEY LV-2

P/N 1-293270-0 AS SHOWN
 POLARIZATION KEY LV-2



P/N 0-293270-7 AS SHOWN
 POLARIZATION KEY LV-2

P/N 0-293270-8 AS SHOWN
 POLARIZATION KEY LV-2



THIS DRAWING IS A CONTROLLED DOCUMENT.

DIMENSIONS:	TOLERANCES UNLESS OTHERWISE SPECIFIED:
mm	0 PLC ±
	1 PLC ±0.3
	2 PLC ±0.05
	3 PLC ±
	4 PLC ±
	ANGLES ±
	FINISH

DWN	18JAN2007
CHK	A. Vecchia
APVD	18JAN2007
APVD	G. Turco
APVD	G. Turco
PRODUCT SPEC	108-94018
APPLICATION SPEC	114-20131
WEIGHT	-
CUSTOMER DRAWING	-

		TE Connectivity	
		NAME	
BUS BAR 2 POSITION SEALED		SIZE	CAGE CODE
DRAWING NO		RESTRICTED TO	
A20779C-293270		SCALE	2:1
SHEET		2	OF 2
REV		Y	1

Mouser Electronics

Authorized Distributor

Click to View Pricing, Inventory, Delivery & Lifecycle Information:

[TE Connectivity:](#)

[293270-8](#)