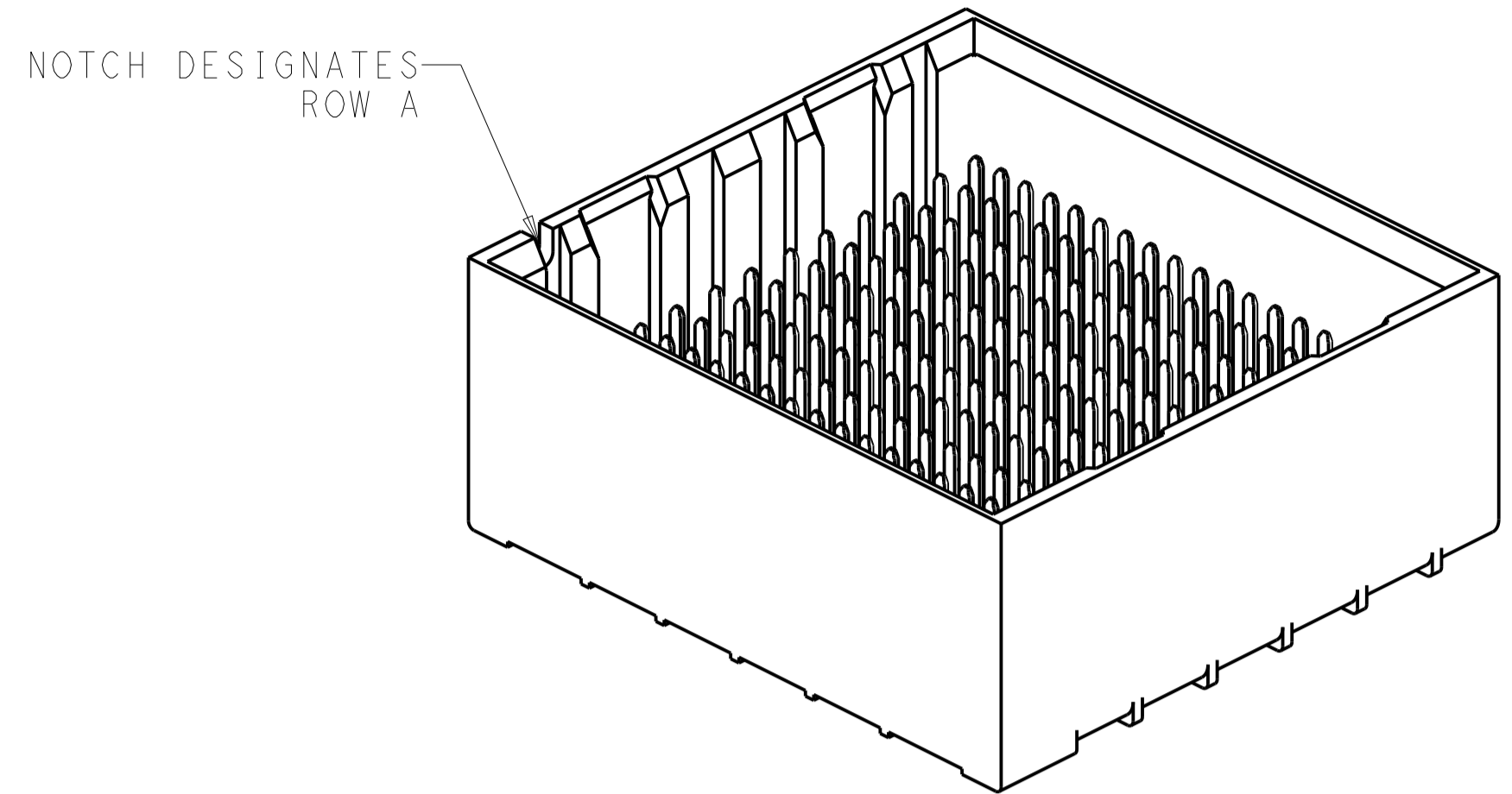
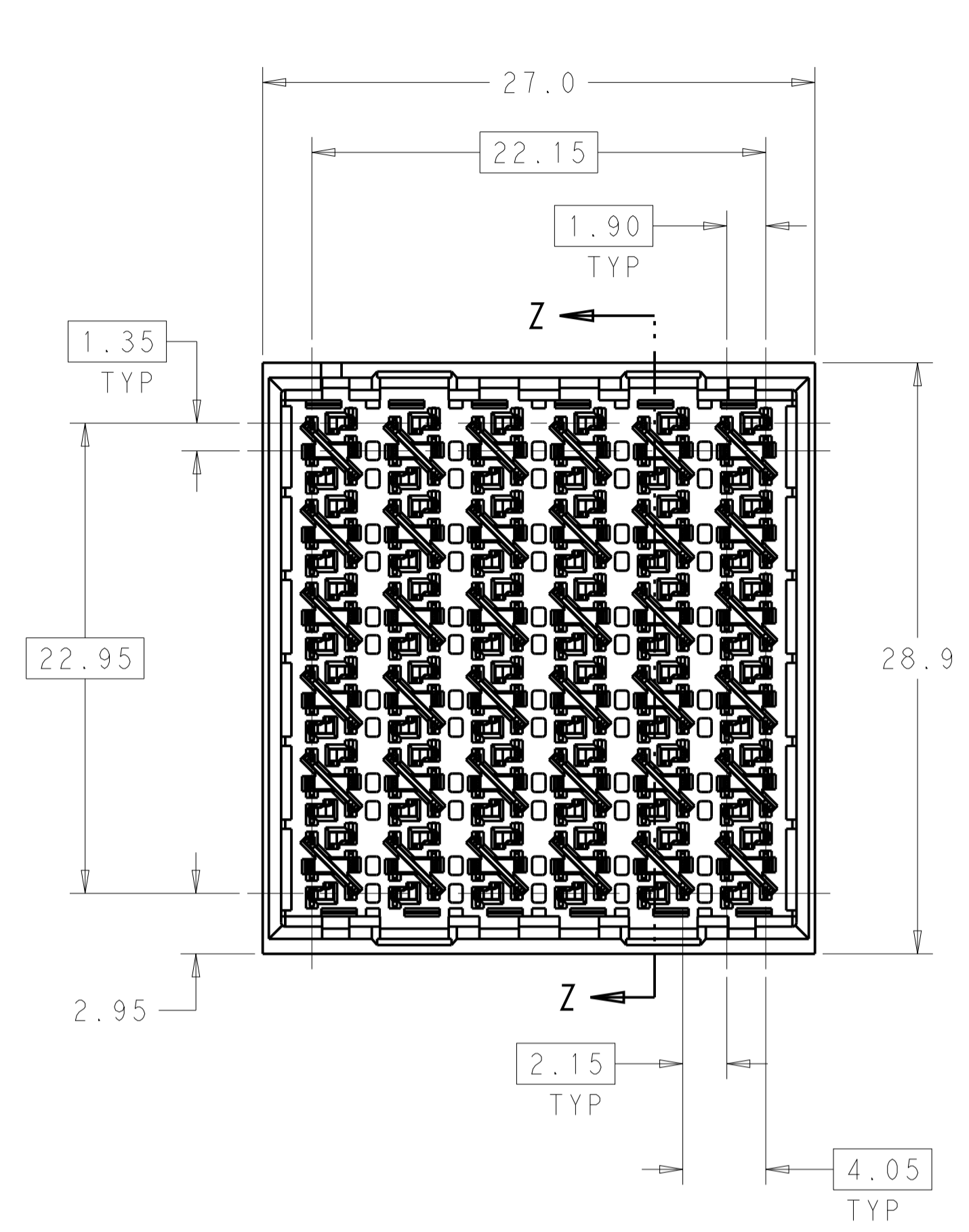
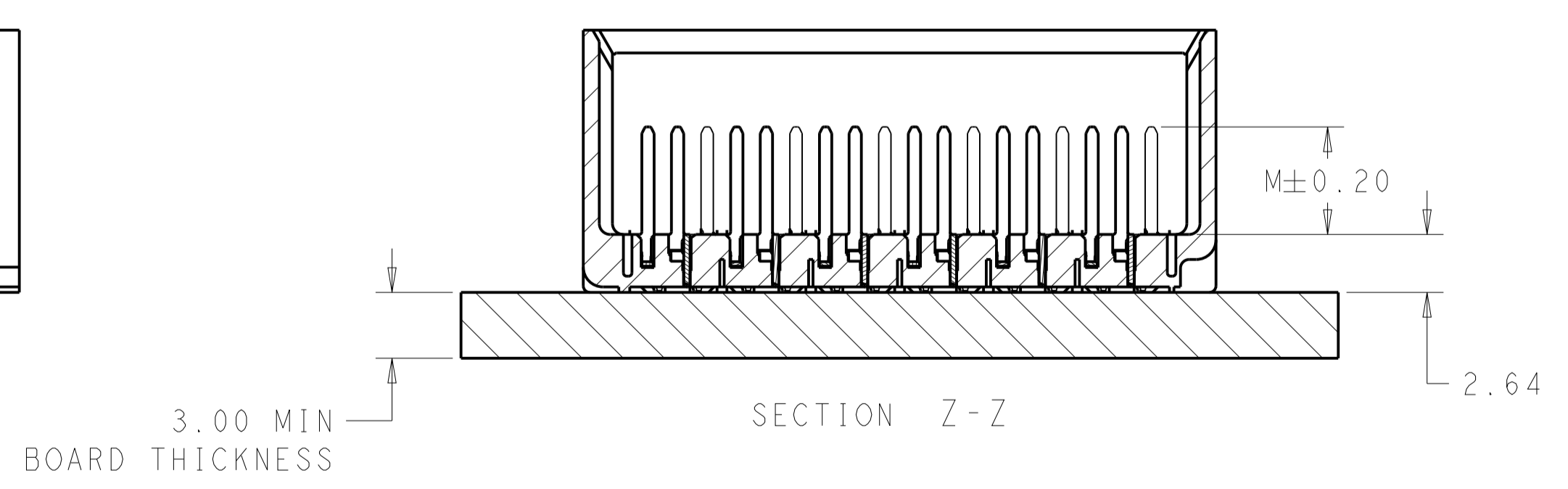
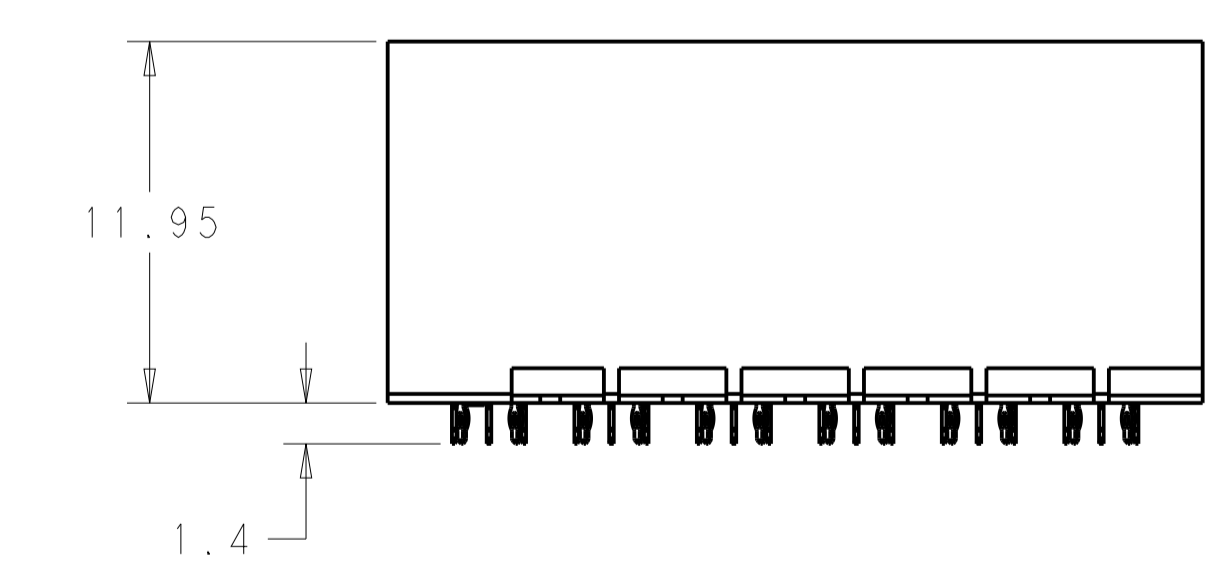
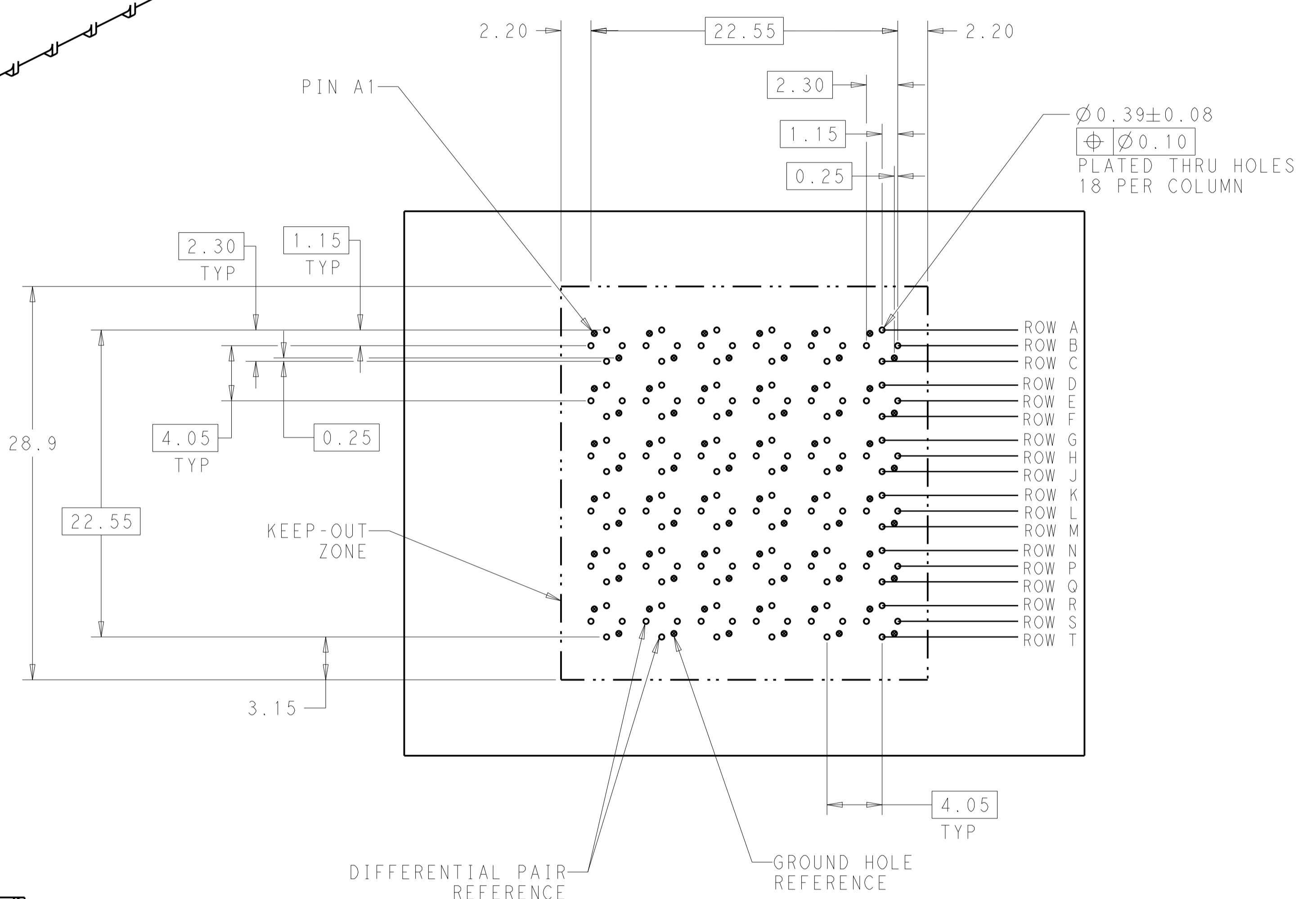


REVISIONS				
P.	LTN	DESCRIPTION	DATE	APVD
C		REVISED PER ECO-14-013273	04NOV2014	AP DD



⚠ MATERIAL:
 HOUSING: LCP GLASS FILLED UL94V-0
 TERMINALS: HIGH PERFORMANCE COPPER ALLOY

⚠ FINISH:
 30μ" MIN GOLD IN CONTACT AREA
 SELECTIVE TIN ON PCB TAILS.
 NICKEL OVERALL.



LEFT GUIDED
 BACKPLANE HOLE PATTERN
 (CONNECTOR SIDE)
 SCALE 4:1

⚠	5.5	2143271-2
⚠	4.9	2143271-1
FINISH	DIM M	PART NUMBER

THIS DRAWING IS A CONTROLLED DOCUMENT.		DWN J. K. SHOBER 13MAY2010	TE Connectivity IMPACT, 6 PAIR, 12 COLUMN, UNGUIDED DUAL END WALL ASSEMBLY, ORTHOGONAL, 0.39 PTH
DIMENSIONS: mm		CHK J. EARY 13MAY2010	
TOLERANCES UNLESS OTHERWISE SPECIFIED:		APVD J. EARY 13MAY2010	
0 PLC ± 1 PLC ±0.25 2 PLC ±0.13 3 PLC ± 4 PLC ± ANGLES ±0		PRODUCT SPEC APPLICATION SPEC WEIGHT CUSTOMER DRAWING	
MATERIAL SEE TABLE		SCALE 4:1	SIZE CAGE CODE DRAWING NO RESTRICTED TO A100779C=2143271 SHEET 1 OF 1 REV C

Mouser Electronics

Authorized Distributor

Click to View Pricing, Inventory, Delivery & Lifecycle Information:

[TE Connectivity:](#)

[2143271-1](#)