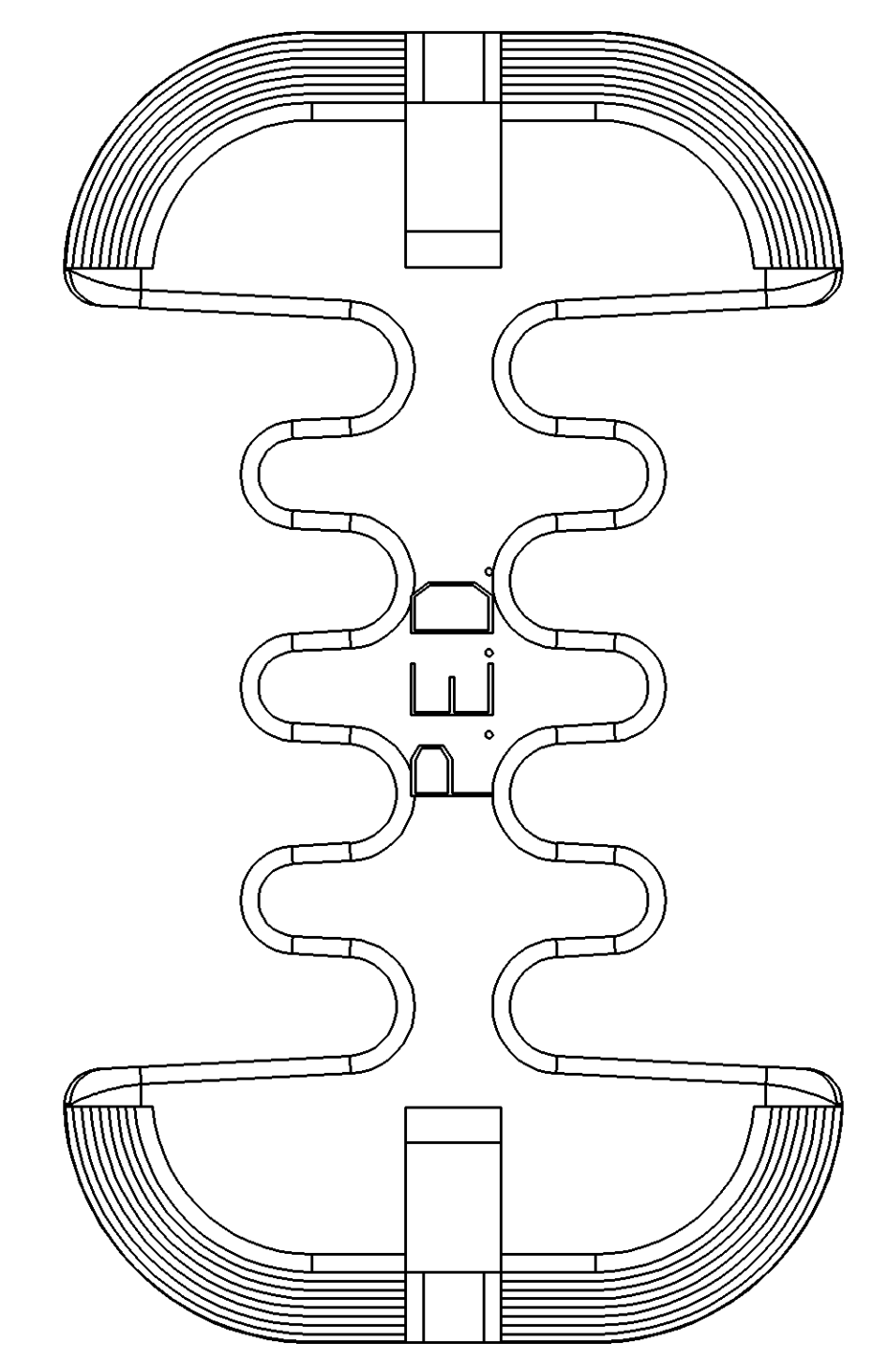
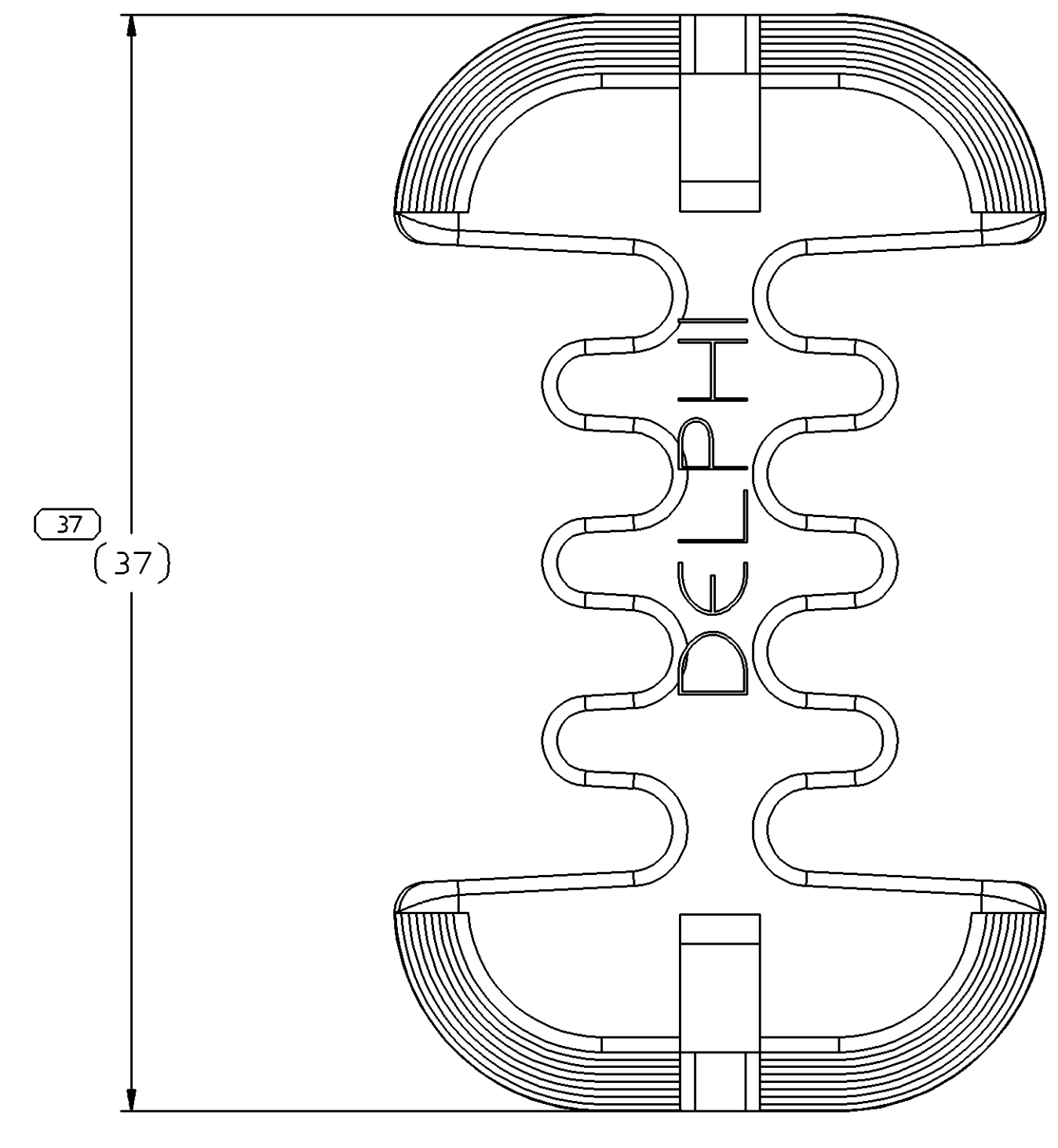
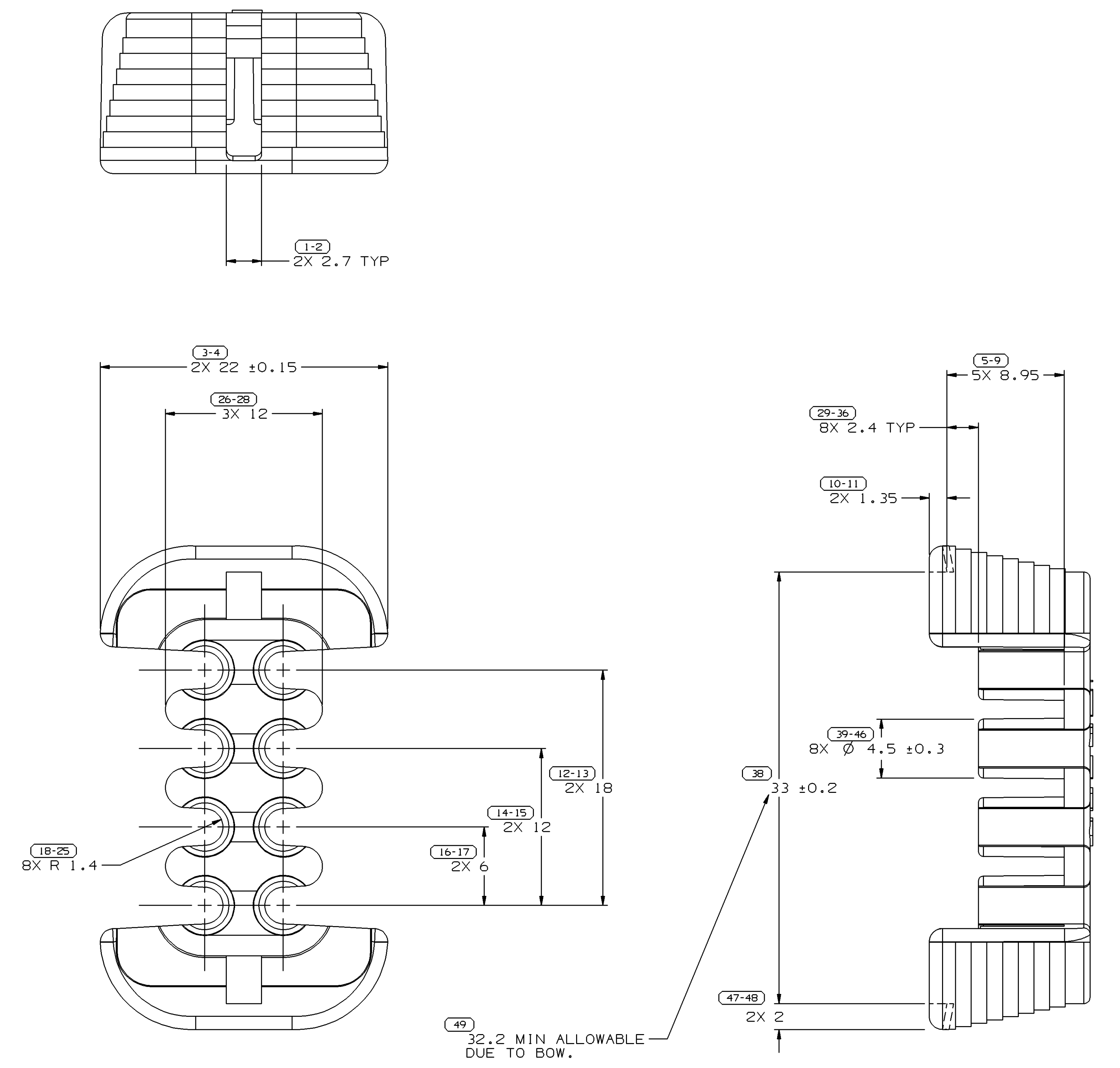
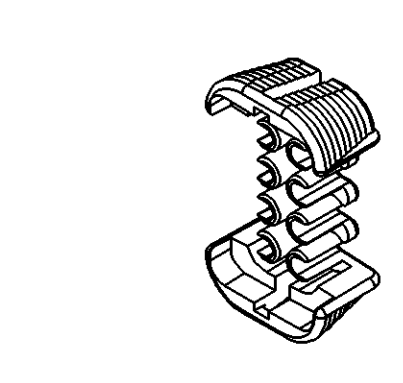


SYMBOL DEFINITION		MISSING NUMBERS		DWO STATUS					REVISION HISTORY					AUTH			
DATE	STG	REV	N/P	CHO	ZONE	DATE	STG	REV	N/P	CHO	ZONE	DATE	STG	REV	N/P	CHO	ZONE
10N000	R	H1	-	-	-							000009	JTD	EDV	GM		
22AP04	R	H2	-	-	-							254244	J5	J5	B6		



OPTIONAL CONSTRUCTION

- NOTES
- UNLESS OTHERWISE SPECIFIED AND/OR INDICATED: DIMENSIONS ARE TO FACE OF VIEW SHOWN AND AUTOMATICALLY ROUNDED BY COMPUTER FOR INSPECTION (SEE MATH MODEL FOR PRECISE DIMENSIONS). FOR ALL OTHER DIMENSIONS NOT SHOWN BUT REQUIRED FOR TOOL BUILD, SEE MATH MODEL FOR PRECISE TOOL PATH DATA.
 - THIS PART IS NOT CONTROLLED FOR AUTOMATIC FEEDING.
 - MATING COMPONENTS OR EQUIVALENT: CONNECTOR 12047932, 12047934 & 12052499
 - MAX CABLE DIA THAT WILL FIT PART IS Ø2.31
 - PART IS SYMETRICAL ABOUT CENTERLINES, UNLESS OTHERWISE INDICATED.



(38) PROCESS SENSITIVE DIMENSION	THIRD ANGLE PROJECTION	DO NOT SCALE	USE MATH DATA
DIMENSIONAL RANGE (MM)	CHART	UNLESS OTHERWISE SPECIFIED	
FROM 0 TO 30	1	TOLERANCE: ±0.15 ±0.2 ±0.3 ±0.4 ±0.5	
30 TO 70	2	ANGULAR TOLERANCE 12°	
70 TO 100	3		
100 TO 150	4		
150 TO 300	5		
300 TO 600	6		
600 TO 1000	7		
1000 TO 1500	8		
1500 TO 3000	9		
3000 TO 6000	10		
6000 TO 15000	11		
15000 TO 30000	12		
30000 TO 60000	13		
60000 TO 150000	14		
150000 TO 300000	15		
300000 TO 600000	16		
600000 TO 1500000	17		
1500000 TO 3000000	18		
3000000 TO 6000000	19		
6000000 TO 15000000	20		
15000000 TO 30000000	21		
30000000 TO 60000000	22		
60000000 TO 150000000	23		
150000000 TO 300000000	24		
300000000 TO 600000000	25		
600000000 TO 1500000000	26		
1500000000 TO 3000000000	27		
3000000000 TO 6000000000	28		
6000000000 TO 15000000000	29		
15000000000 TO 30000000000	30		
30000000000 TO 60000000000	31		
60000000000 TO 150000000000	32		
150000000000 TO 300000000000	33		
300000000000 TO 600000000000	34		
600000000000 TO 1500000000000	35		
1500000000000 TO 3000000000000	36		
3000000000000 TO 6000000000000	37		
6000000000000 TO 15000000000000	38		
15000000000000 TO 30000000000000	39		
30000000000000 TO 60000000000000	40		
60000000000000 TO 150000000000000	41		
150000000000000 TO 300000000000000	42		
300000000000000 TO 600000000000000	43		
600000000000000 TO 1500000000000000	44		
1500000000000000 TO 3000000000000000	45		
3000000000000000 TO 6000000000000000	46		
6000000000000000 TO 15000000000000000	47		
15000000000000000 TO 30000000000000000	48		
30000000000000000 TO 60000000000000000	49		
60000000000000000 TO 150000000000000000	50		

DWO TYPE: PART DRAWING	
STYLE: 2.505	DISTR CODE: D
ROUTING: 6900	
UNLESS OTHERWISE SPECIFIED	
THIS DOCUMENT IS IN ACCORDANCE WITH ASME Y14.5M-1994 AS AMENDED BY THE ON-SIGNAL DIMENSIONING AND TOLERANCING ADDENDUM-2003. SEPARATE PATTERNS OF FEATURES MAY BE OBTAINED SEPARATELY REGARDLESS OF DATUM REFERENCES.	
ALL DIMENSIONS ARE IN MILLIMETERS	
REFERENCE:	
THIRD ANGLE PROJECTION	
DO NOT SCALE	
USE MATH DATA	

DELPHI
DELPHI PACKARD ELECTRIC SYSTEMS
WARREN, OH

DR:	DATE:
APVD1 J. YEE	10N000
APVD2 E. VAZQUEZ	13N000
APVD3 G. MACIAS	13N000
APVD4	
APVD5	
SUBSTANCES OF CONCERN AND RECYCLED CONTENT PER DELPHI 10949001	
MATERIAL: M3592025 PLAS PA66 HS 1M GRA MD	
DRAWING NAME: LOCK TPA M/P 150 8 GRA	
DRAWING NUMBER: 12066304	
SIZE: AO	SCALE: 5:1
FRAME NO: 1	SHEET NO: 1
STG: R	REV: H2
N/P: -	ZONE: -

Mouser Electronics

Authorized Distributor

Click to View Pricing, Inventory, Delivery & Lifecycle Information:

[Aptiv:](#)

[12066304](#)