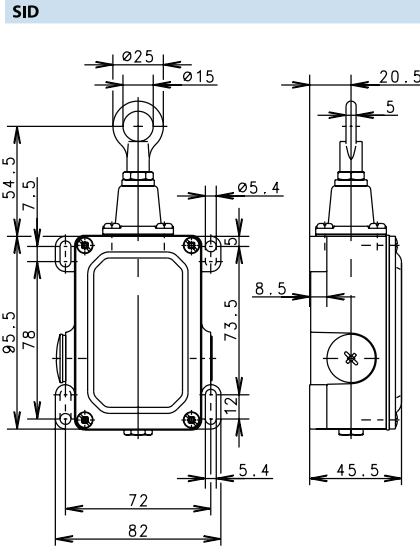


**SID Series**




Pull Cable to change contact state, release cable to reset



|                         |   |
|-------------------------|---|
| <p><b>Variant 1</b></p> | <p><b>Article No.</b><br/><b>Designation</b><br/>Max. span<br/>Type</p> <p><b>601.2431.877</b><br/>SID-UV1<br/>26.2 Ft. (8 Meters)<br/>Metal Body with<br/>Tension Monitor</p>  |
| <p><b>Variant 2</b></p> | <p><b>Article No.</b><br/><b>Designation</b><br/>Max. span<br/>Type</p>   |
| <p><b>Variant 3</b></p> | <p><b>Article No.</b><br/><b>Designation</b><br/>Max. span<br/>Type</p>   |

**Technical Information**

|                            |   |
|----------------------------|---|
| Maximum Switching Voltage  | 240V  |
| Maximum Switching Amperage | 16A   |
| B10d                       | On Request  |
| Mechanical Service Life    | 1 x 10 <sup>6</sup>   |
| Switching Frequency        | ≤ 50/min  |
| Operating Temperature      | -30 °C to +80 °C  |
| Protection Rating          | IP65  |
| Utilization Category       | AC-15, U <sub>e</sub> /I <sub>e</sub> 240 V / 3 A                                   |
| Rate Insulation Voltage    | 400VAC  |
| Approvals                  |  |

# Mouser Electronics

Authorized Distributor

Click to View Pricing, Inventory, Delivery & Lifecycle Information:

[Altech:](#)

[601.2431.877](#)