

PART NAME: KNOB

SCALE: 1:1

DATE: 5/17/94

DR. BY HD

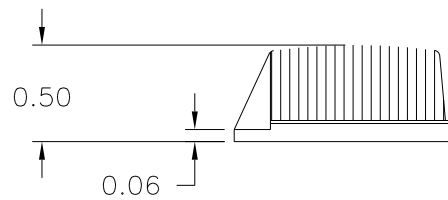
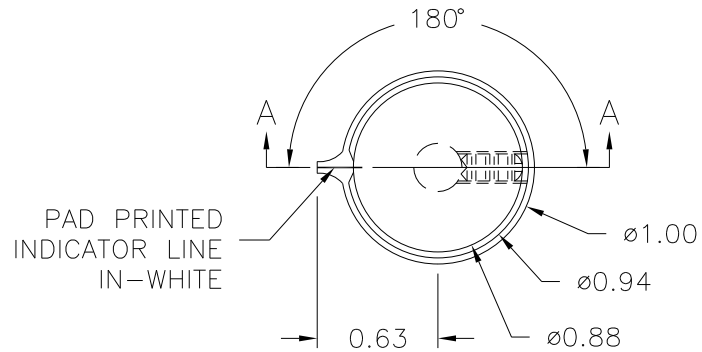
DAVIES MOLDING COMPANY
CAROL STREAM, ILLINOIS 60188

P/N 1470AQ

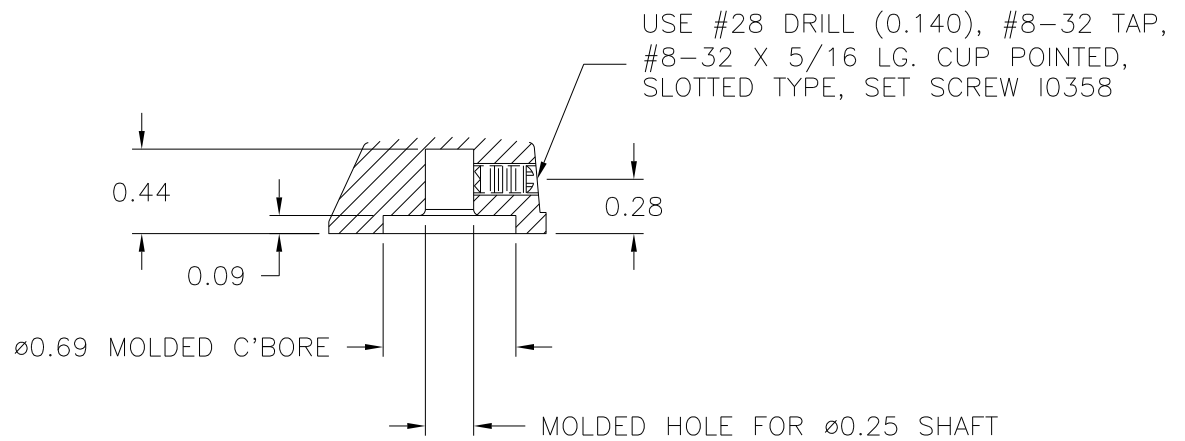
THIS DRAWING IS THE PROPERTY OF DAVIES MOLDING COMPANY, IS SUBMITTED SOLELY AS A DESIGN OR ENGINEERING PROJECT.
WE ACCEPT NO RESPONSIBILITY WHATSOEVER FOR THE PRACTICAL APPLICATION OF THE PIECES MADE TO THIS DESIGN.

BASE PART 1470-04

SET SCREW 10358



SECTION A-A



MATERIAL: G.P. PHENOLIC (B11)
COLOR: BLACK

TOLERANCES: UNLESS OTHERWISE SPECIFIED	DO NOT SCALE DRAWING			
DECIMALS: X.XXX ± .005 X.XX ± .015	MM: X.XX ± 0.15MM X.X ± 0.4MM	-	UPDATED/HAD TOOLBOX	ST 8/18/2000
FRACTIONS ± 1/64	ANG. ± 1°	CHANGES		

Mouser Electronics

Authorized Distributor

Click to View Pricing, Inventory, Delivery & Lifecycle Information:

[Davies Molding:](#)

[1470AQ](#)