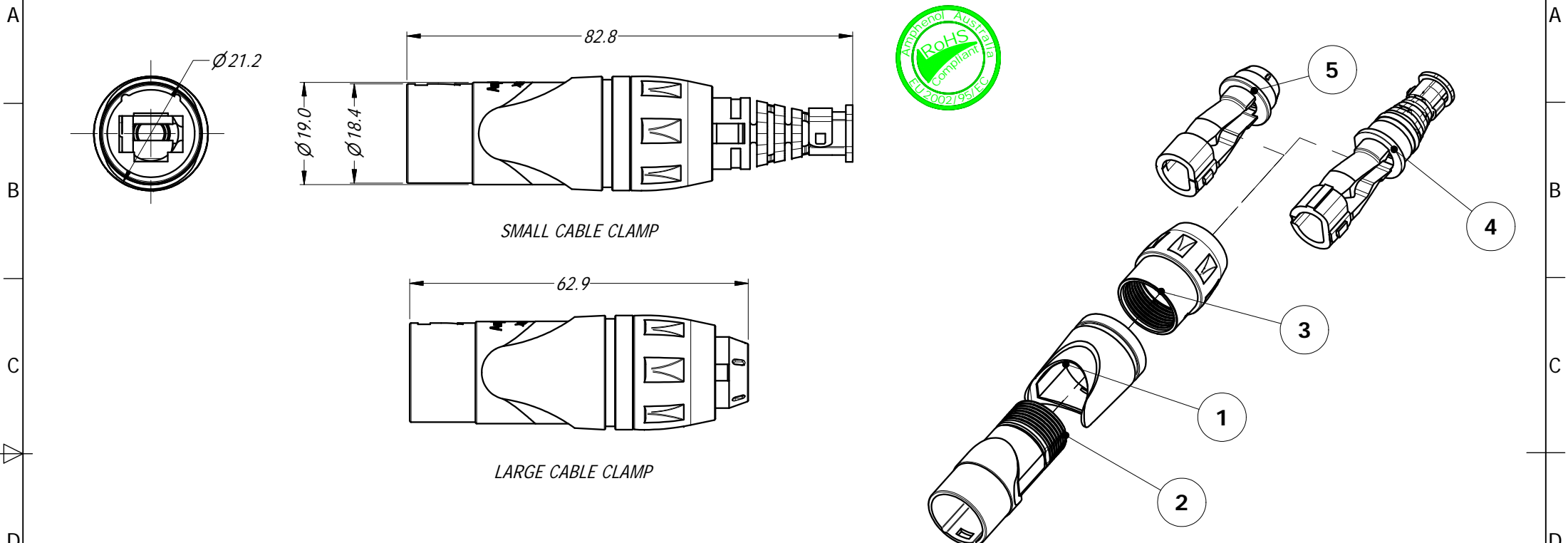


1 = CRITICAL INSPECTION DIMENSIONS.
 2 = KEY PRODUCT CHARACTERISTICS

NOTES: DEVIATIONS FROM INITIAL APPROVED SAMPLES
 MUST BE SUBMITTED FOR APPROVAL.

REVISION HISTORY						
REV	ZONE	DESCRIPTION	BY	APPR	DATE	ECN
1		FIRST ISSUE	T.N	P.M	08/08/12	9148



SERIES PREFIX — RJX 8 M B BULK

CONTACT LAYOUT
 8: RJ45 CABLE HOUSING

GENDER
 M: MALE CABLE PLUG

SHELL FINISH
 BLANK: NICKEL PLATE
 B: BLACK FINISH

PACKAGING
 BLANK: INDIVIDUAL BAG
 BULK: BULK PACKED

ITEM	PART NUMBER	DESCRIPTION	QTY
5	50260014-530	CABLE CLAMP LARGE XLRnet	1
4	50260013-530	CABLE CLAMP SMALL XLRnet	1
3	50440043*-530	NUT XLRnet	1
2	53480101-*30	DIE CAST SHELL XLRnet	1
1	52520003-53*	SLEEVE PLASTIC AX SERIES	1

PARTS LIST

NOTES:
 1. BOTH CABLE CLAMPS LARGE & SMALL ARE PACKED IN THE SAME BAG OF CONNECTOR KIT

UNLESS OTHERWISE SPECIFIED TOLERANCE TO BE		THIS DOCUMENT IS THE PROPERTY OF AMPHENOL AUSTRALIA PTY. LTD. NO PART THEREOF MAY BE REPRODUCED AND USED WITHOUT THE PRIOR WRITTEN CONSENT OF THE OWNER.			Amphenol Amphenol Australia Pty.Ltd, 2 Fiveways Blvd, Keysborough, VIC 3173		
LINEAR		ANGULAR		MATERIAL: SEE COMPONENTS	DRN: T.N	DATE: 08/08/12	TITLE: XLRnet PLUG CABLE CONNECTOR
X ± 0.5	X' ± 1	X.X ± 0.1	X.X' ± 30'	DO NOT SCALE	CKD: P.M	DATE: 09/08/12	PART No: RJX8M*
X.XX ± 0.05	X.XX' ± 15'	BREAK ALL SHARP EDGES AND REMOVE ALL BURRS		FINISH: SEE COMPONENTS	APP'D: P.M	DATE: 09/08/12	DRAWING No. 55010849-000-1
DIMENSIONS IN MILLIMETRES				THIRD ANGLE PROJECTION	SCALE: 1:1	SIZE: A4	SHEET 1/1

Mouser Electronics

Authorized Distributor

Click to View Pricing, Inventory, Delivery & Lifecycle Information:

[Amphenol:](#)

[RJX8MB](#)