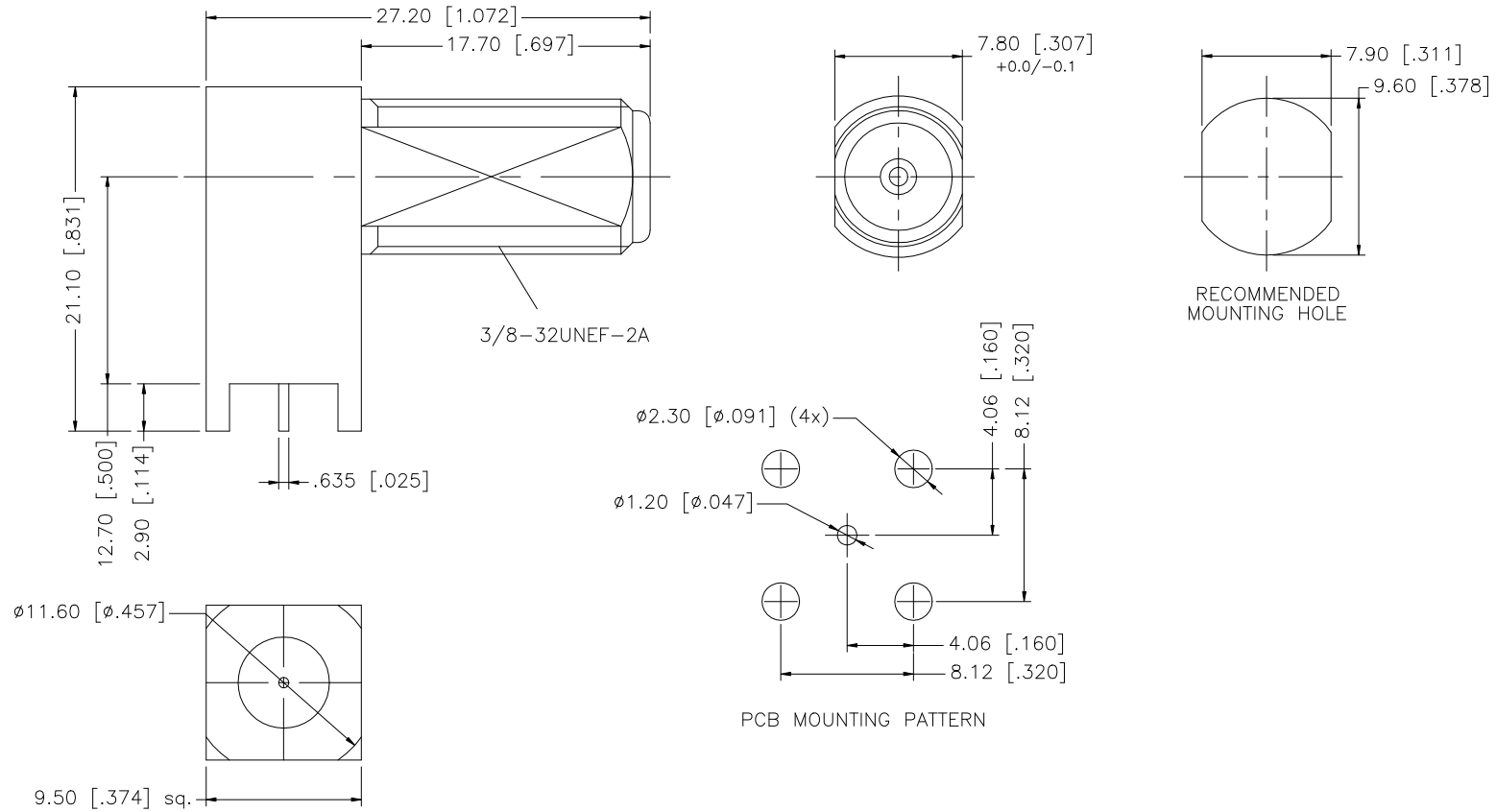


REV.	DATE	DESCRIPTION
NC	05/20/02	INITIAL RELEASE
A	04/11/06	UPDATE DRAWING FORMAT



NOTES;

1. ACCEPTS  $\phi 0.5 \sim 1.05$  CENTER CONDUCTOR TYPICAL.
2. RETURN LOSS  $-15\text{db}$  MIN. AT 2 GHz.
3. BRT. TIN (90/100) PL. 100 MIN. THICK OVER NICKEL PL. 50 MIN.

				UNLESS OTHERWISE SPECIFIED DIMENSIONS ARE IN MILLIMETERS. DIMENSIONS IN [ ] ARE IN INCHES AND FOR CUSTOMER REFERENCE ONLY.	APPROVALS	DATE	<b>Amphenol Connex</b>				
8											PART DESCRIPTION <b>F R/A PC MOUNT RECEPTACLE (HIGH PERFORMANCE)</b>
7					DRAWN	G.R.S.	04/11/06	PART NO. <b>222180</b>			
6	INSULATOR	TEFLON	NATURAL	1	CHECKED						
5	CONTACT PIN	BRASS	GOLD	1	ISSUED			REV. A			
4	INSULATOR	TEFLON	NATURAL	1	SHEET	1 OF 1					
3	CONTACT PIN	BER. COPPER	GOLD	1				SCALE NA			
2	INSULATOR	TEFLON	BRT. TIN	1							
1	BODY	BRASS	BRT. TIN	1				C:/222/1222180.DWG			
DESCRIPTION				MATERIAL	FINISH	QTY					

UNLESS OTHERWISE SPECIFIED DIMENSIONS ARE IN MILLIMETERS. DIMENSIONS IN [ ] ARE IN INCHES AND FOR CUSTOMER REFERENCE ONLY.

UNLESS OTHERWISE SPECIFIED TOLERANCES FOR MILLIMETERS ARE:  
0.5 - 8mm  $\pm 0.20\text{mm}$   
8 - 30mm  $\pm 0.40\text{mm}$   
30 - 120mm  $\pm 0.50\text{mm}$

UNLESS OTHERWISE SPECIFIED TOLERANCES FOR INCHES ARE:  
.020 - .315 =  $\pm 0.007''$   
.315 - 1.180 =  $\pm 0.015''$   
1.180 - 4.724 =  $\pm 0.020''$

APPROVALS	DATE
DRAWN G.R.S.	04/11/06
CHECKED	
ISSUED	
SHEET 1 OF 1	
CAD FILE	C:/222/1222180.DWG

**Amphenol Connex**

F R/A PC MOUNT RECEPTACLE  
(HIGH PERFORMANCE)

222180

DWG. NO. 222180.DWG	REV. A	SIZE A	SCALE NA
---------------------	--------	--------	----------

# Mouser Electronics

Authorized Distributor

Click to View Pricing, Inventory, Delivery & Lifecycle Information:

[Amphenol:](#)

[222180](#)