

PART
NAME

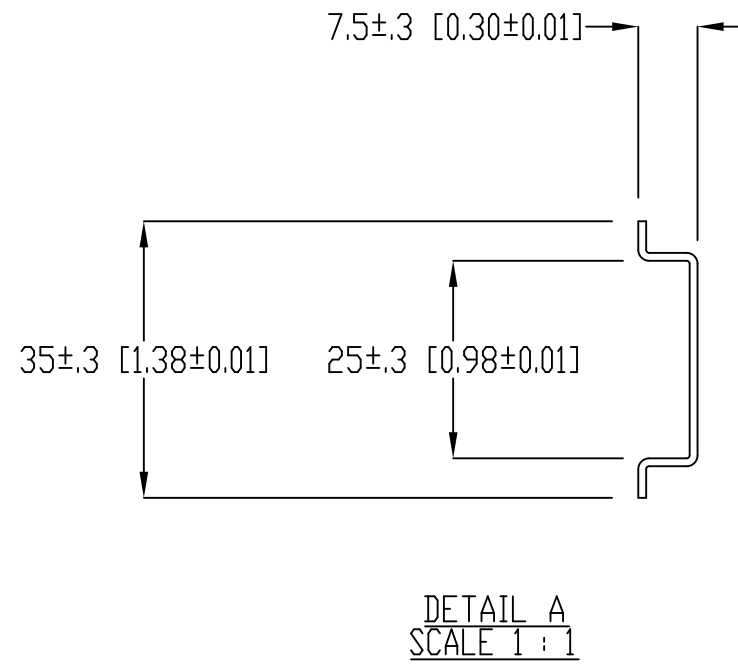
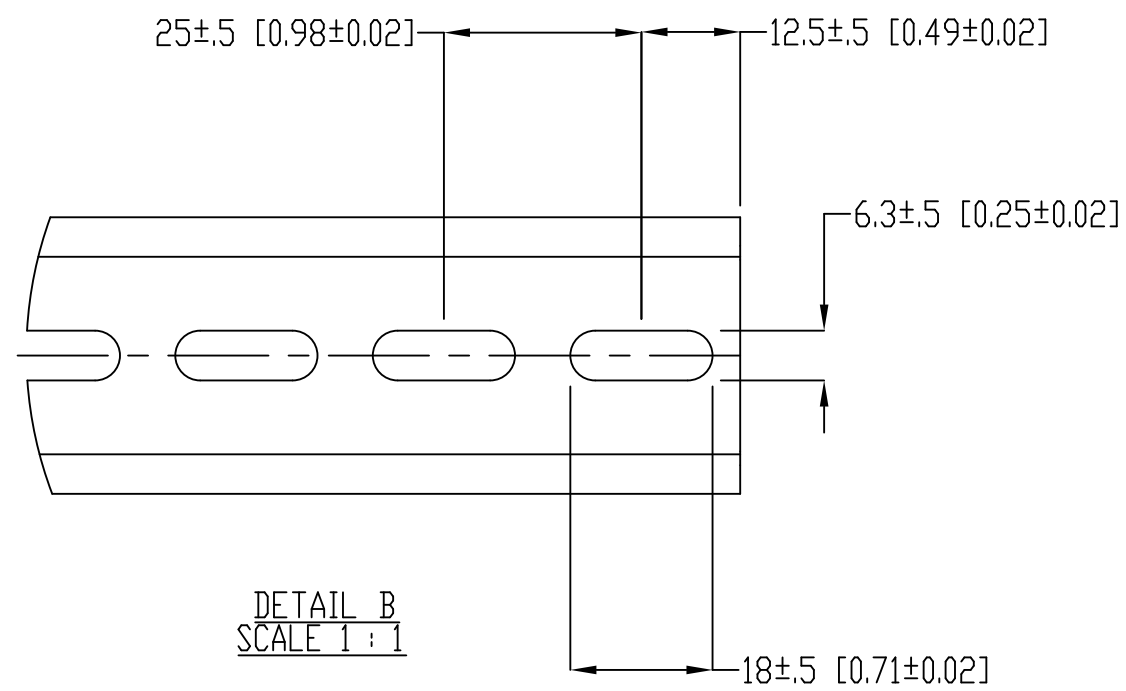
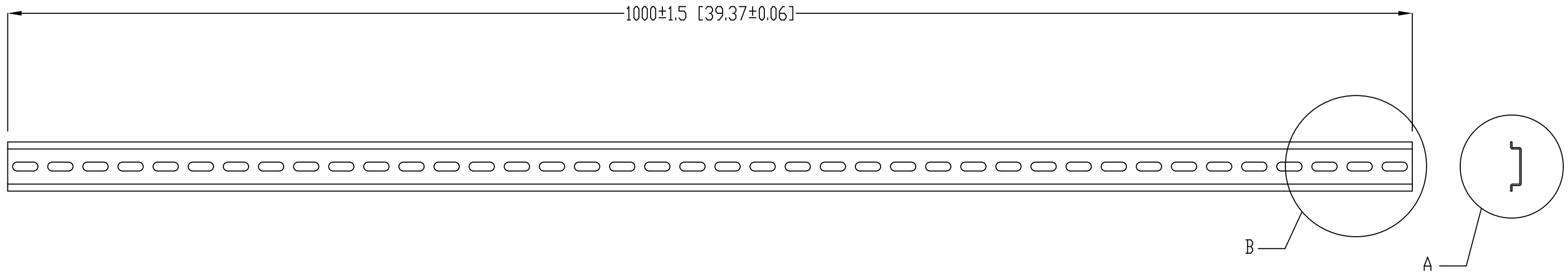
35mm DIN MOUNTING RAIL

PART
No.

DNR-4790

REV.
DATE

2/28/12



DIMENSIONS ARE MILLIMETER [INCH]
MATERIAL - 1.0 [0.039] THK. STEEL
FINISH - ZINC PLATED

Mouser Electronics

Authorized Distributor

Click to View Pricing, Inventory, Delivery & Lifecycle Information:

[Bud Industries:](#)

[DNR-4790](#)