



EFC6601R

N-Channel Power MOSFET 24V, 13A, 11.5mΩ, Dual EFCP

ON Semiconductor®

<http://onsemi.com>

Features

- 2.5V drive
- Common-drain type
- 2KV ESD HBM
- Protection diode in
- Halogen free compliance

Specifications

Absolute Maximum Ratings at Ta=25°C

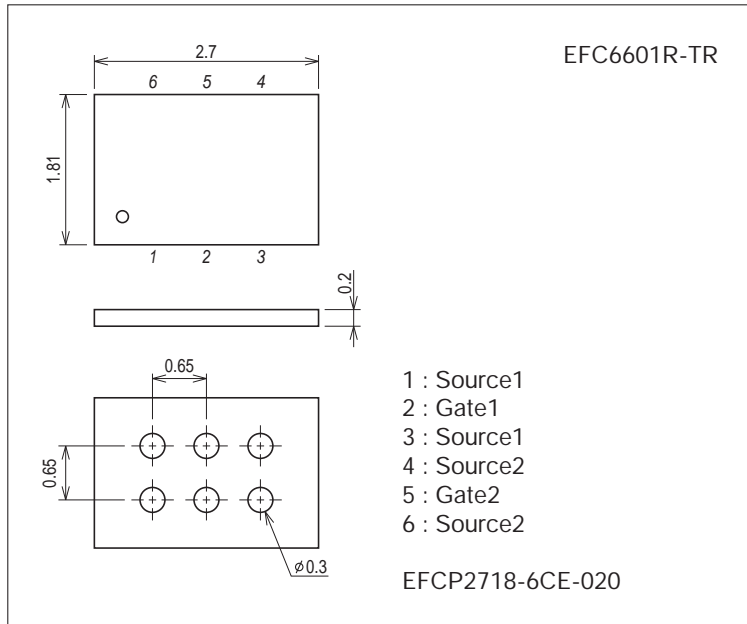
Parameter	Symbol	Conditions	Ratings	Unit
Source-to-Source Voltage	V _{SSS}		24	V
Gate-to-Source Voltage	V _{GSS}		±12	V
Source Current (DC)	I _S		13	A
Source Current (Pulse)	I _{SP}	PW≤10μs, duty cycle≤1%	60	A
Total Dissipation	P _T	When mounted on ceramic substrate (5000mm ² ×0.8mm)	2.0	W
Channel Temperature	T _{ch}		150	°C
Storage Temperature	T _{stg}		-55 to +150	°C

Stresses exceeding Maximum Ratings may damage the device. Maximum Ratings are stress ratings only. Functional operation above the Recommended Operating Conditions is not implied. Extended exposure to stresses above the Recommended Operating Conditions may affect device reliability.

Package Dimensions

unit : mm (typ)

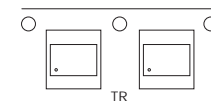
7073-001



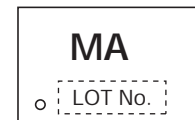
Product & Package Information

- Package : EFCP
- JEITA, JEDEC : -
- Minimum Packing Quantity : 5,000 pcs./reel

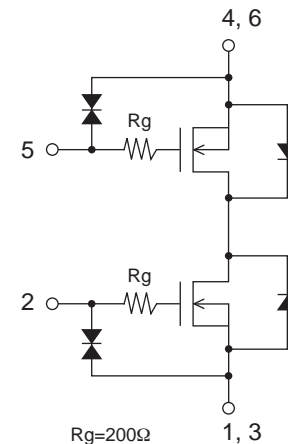
Taping Type : TR



Marking



Electrical Connection



EFC6601R

Electrical Characteristics at Ta=25°C

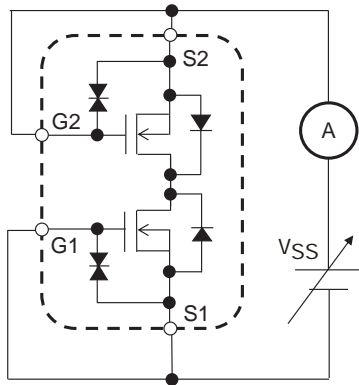
Parameter	Symbol	Conditions	Ratings			Unit
			min	typ	max	
Source-to-Source Breakdown Voltage	V(BR)SSS	IS=1mA, VGS=0V Test Circuit 1	24			V
Zero-Gate Voltage Source Current	ISSS	VSS=20V, VGS=0V Test Circuit 1			1	μA
Gate-to-Source Leakage Current	IGSS	VGS=±8V, VSS=0V Test Circuit 2			±1	μA
Cutoff Voltage	VGS(off)	VSS=10V, IS=1mA Test Circuit 3	0.5		1.3	V
Forward Transfer Admittance	yfs	VSS=10V, IS=3A Test Circuit 4		15.5		S
Static Source-to-Source On-State Resistance	RSS(on)1	IS=3A, VGS=4.5V Test Circuit 5	6.6	9.5	11.5	mΩ
	RSS(on)2	IS=3A, VGS=4.0V Test Circuit 5	7.0	10	12	mΩ
	RSS(on)3	IS=3A, VGS=3.8V Test Circuit 5	7.3	10.5	13	mΩ
	RSS(on)4	IS=3A, VGS=3.1V Test Circuit 5	8.0	11.5	15	mΩ
	RSS(on)5	IS=3A, VGS=2.5V Test Circuit 5	9.0	13	17	mΩ
Turn-ON Delay Time	td(on)	VDD=10V, VGS=4.5V, IS=3A Test Circuit 7		280		ns
Rise Time	tr			630		ns
Turn-OFF Delay Time	td(off)			53000		ns
Fall Time	tf			47000		ns
Total Gate Charge	Qg		VDD=10V, VGS=4.5V, IS=13A Test Circuit 8		48	
Forward Source-to-Source Voltage	VF(S-S)	IS=3A, VGS=0V Test Circuit 6		0.76	1.2	V

Ordering Information

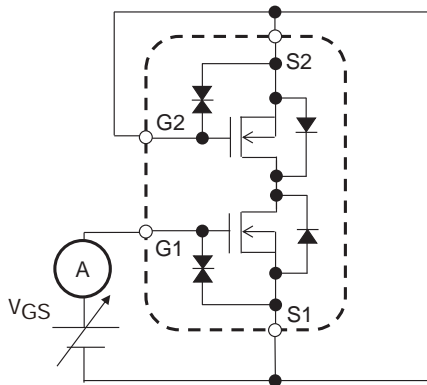
Device	Package	Shipping	memo
EFC6601R-TR	EFCP	5,000pcs./reel	Pb Free and Halogen Free

Test circuits are example of measuring FET1 side

Test Circuit 1
ISSS

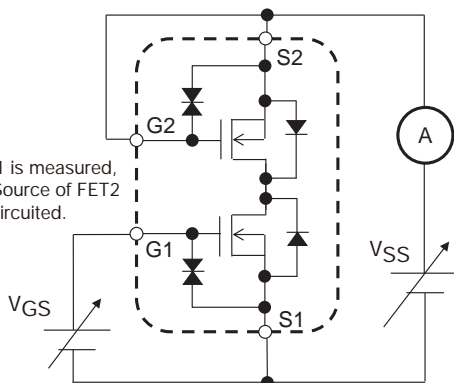


Test Circuit 2
IGSS



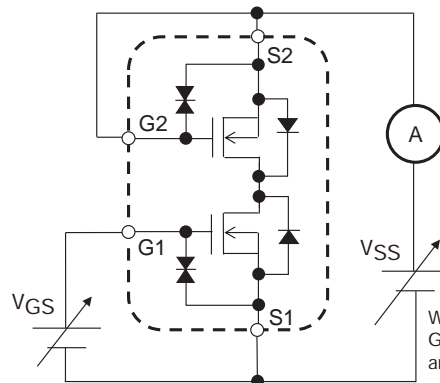
When FET1 is measured, Gate and Source of FET2 are short-circuited.

Test Circuit 3
VGS(off)



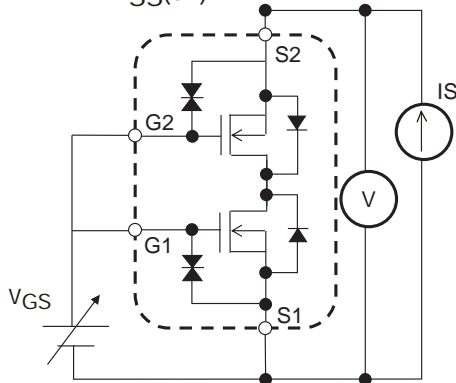
When FET1 is measured, Gate and Source of FET2 are short-circuited.

Test Circuit 4
 $|y_{fs}|$

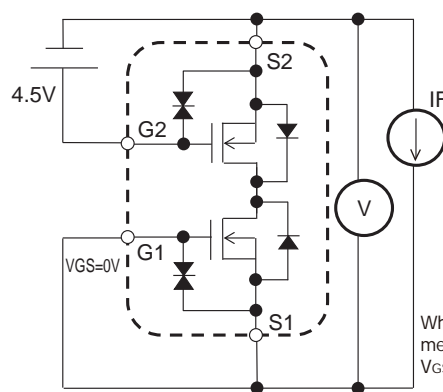


When FET1 is measured, Gate and Source of FET2 are short-circuited.

Test Circuit 5
RSS(on)

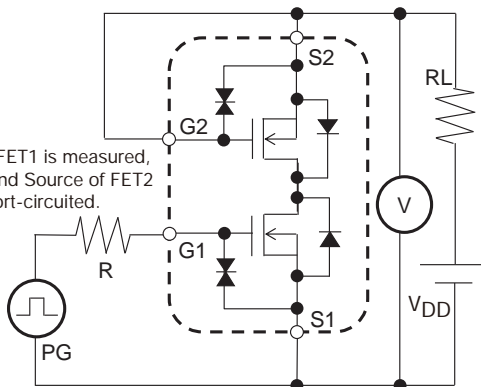


Test Circuit 6
VF(S-S)



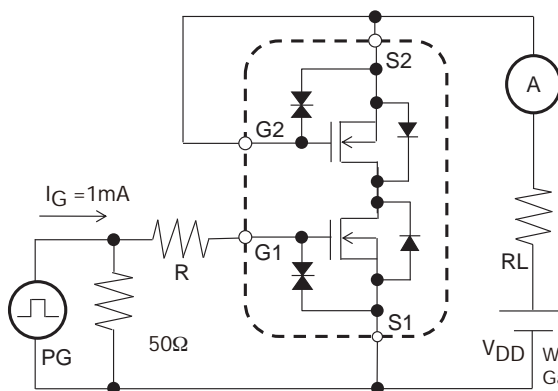
When FET1 is measured, +4.5V is added to Vgs of FET2.

Test Circuit 7
 $t_d(on)$, t_r , $t_d(off)$, t_f

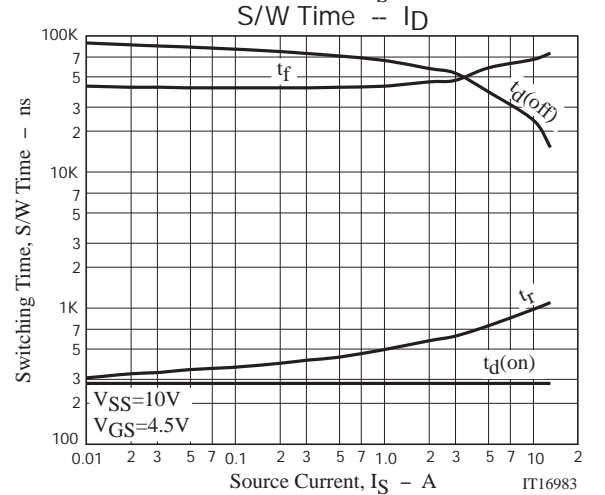
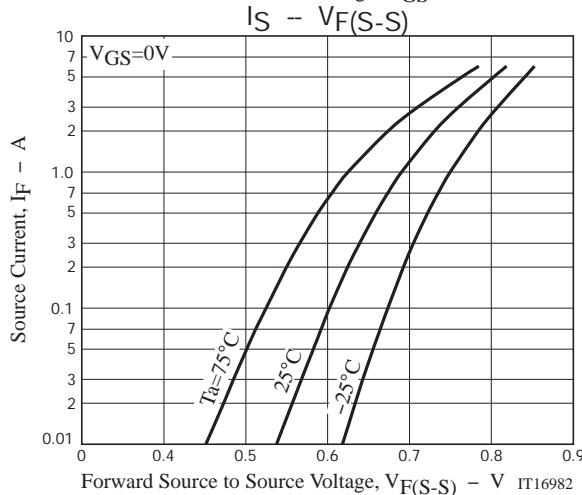
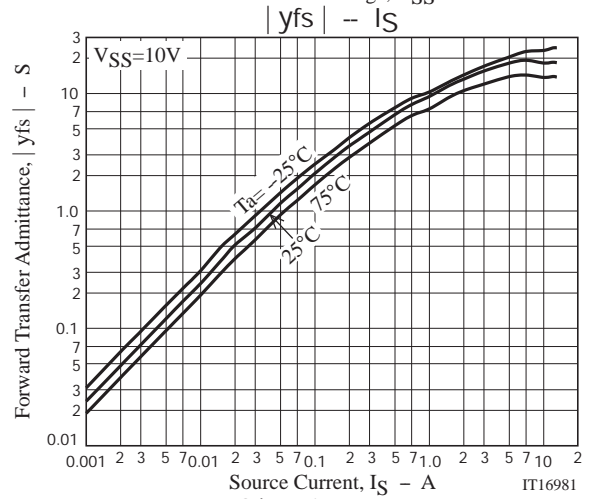
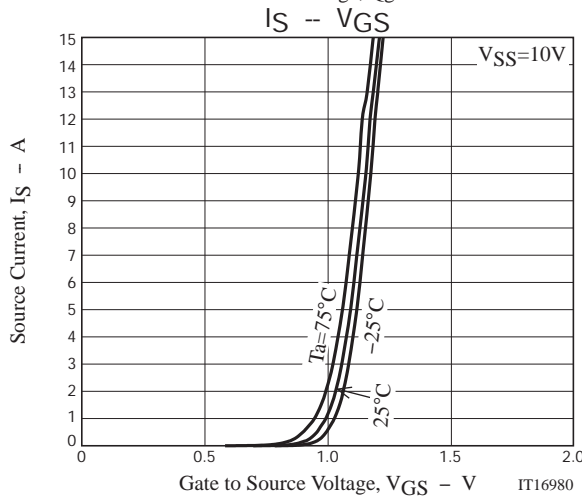
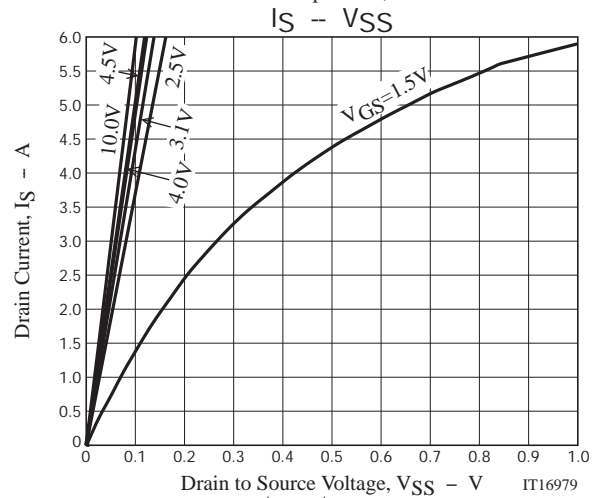
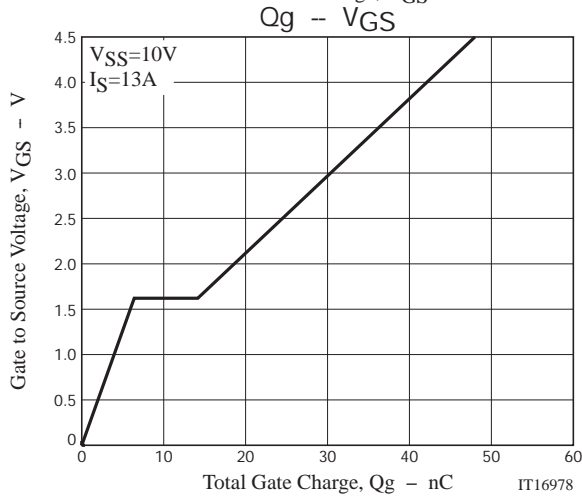
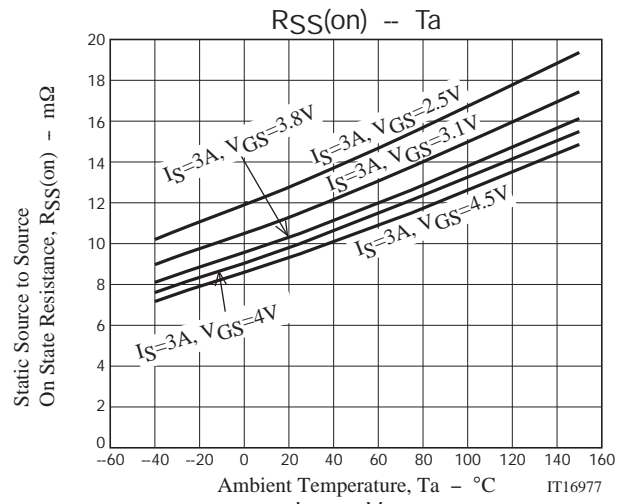
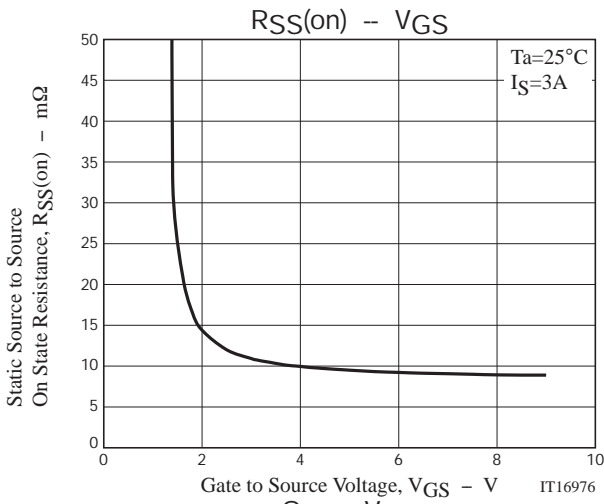


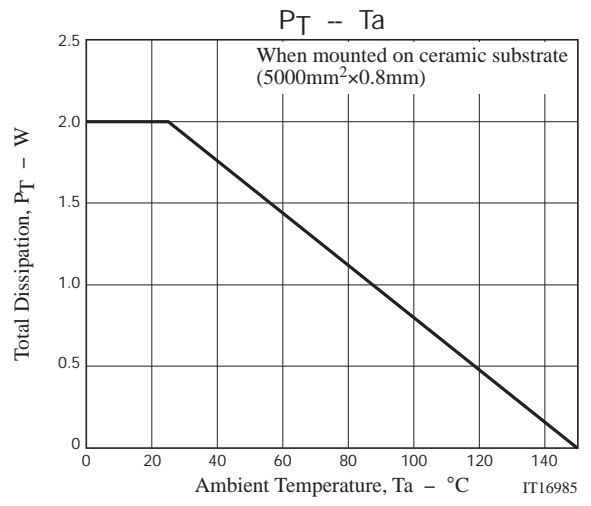
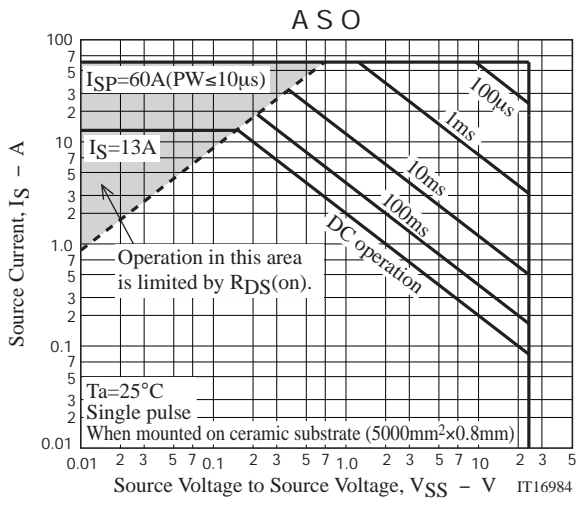
When FET1 is measured, Gate and Source of FET2 are short-circuited.

Test Circuit 8
Qg



When FET1 is measured, Gate and Source of FET2 are short-circuited.



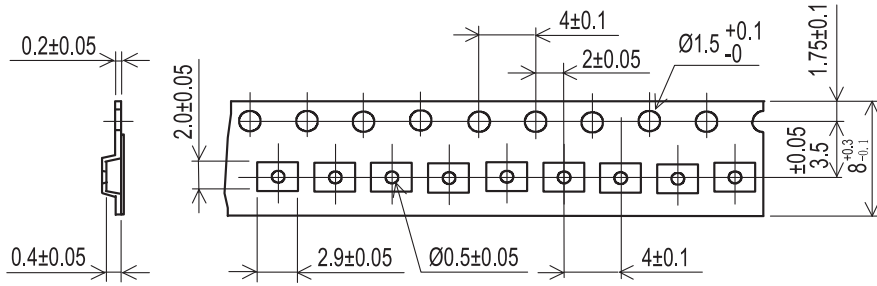


Taping Specification

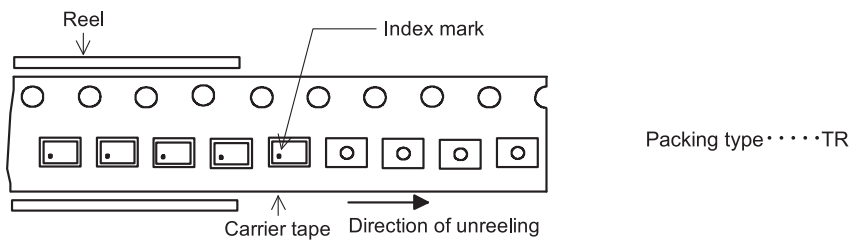
EFC6601R-TR

1. Taping Configuration

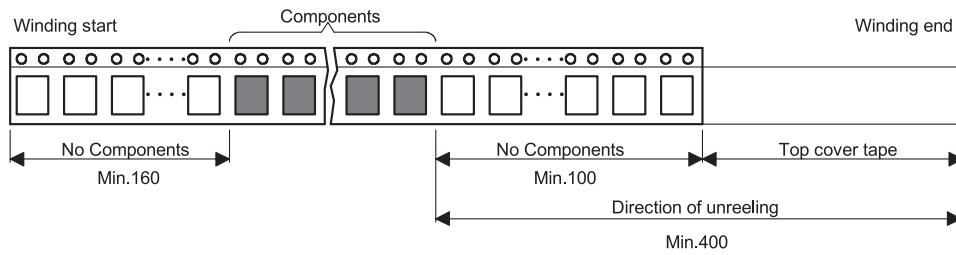
1-1 .Carrier Tape Size (unit:mm)



1-2 .Device Placement Direction



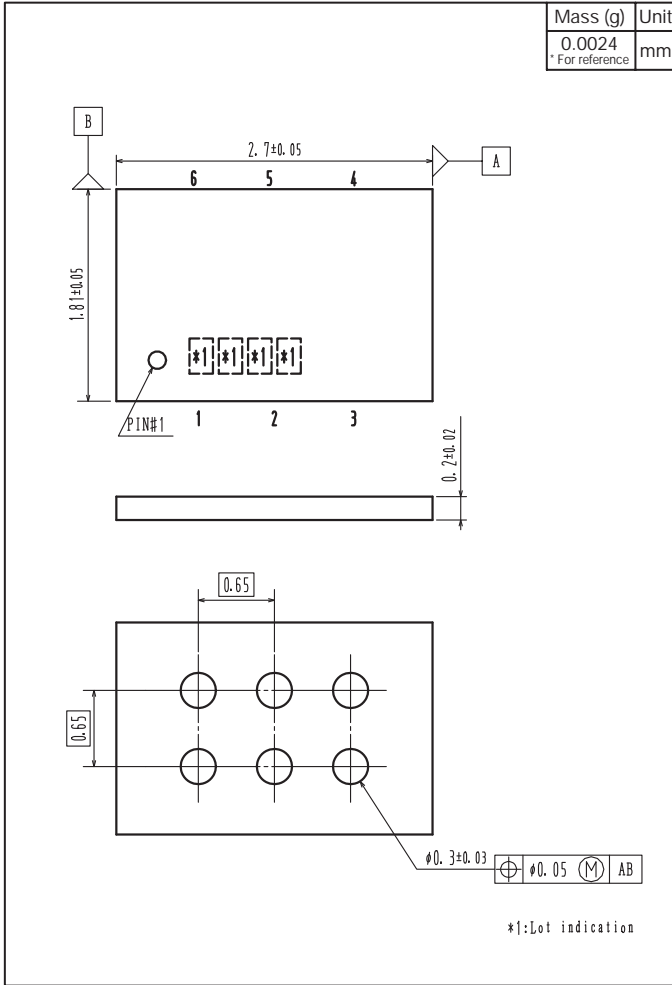
1-3 .Leader portion and Trailer portion (unit:mm)



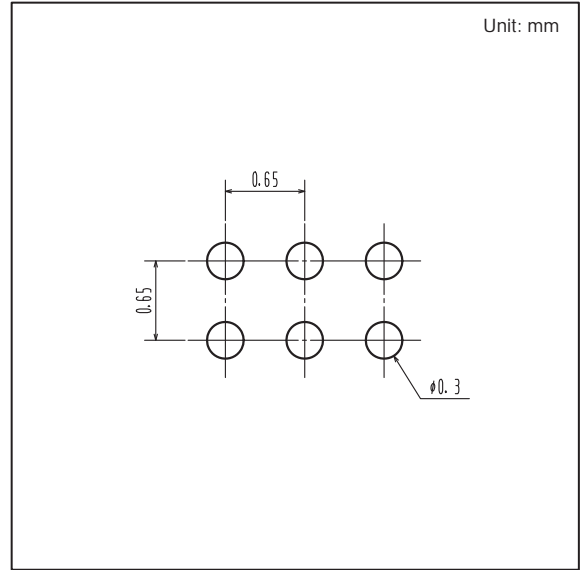
EFC6601R

Outline Drawing

EFC6601R-TR



Land Pattern Example



Note on usage : Since the EFC6601R is a MOSFET product, please avoid using this device in the vicinity of highly charged objects.

ON Semiconductor and the ON logo are registered trademarks of Semiconductor Components Industries, LLC (SCILLC). SCILLC owns the rights to a number of patents, trademarks, copyrights, trade secrets, and other intellectual property. A listing of SCILLC's product/patent coverage may be accessed at www.onsemi.com/site/pdf/Patent-Marking.pdf. SCILLC reserves the right to make changes without further notice to any products herein. SCILLC makes no warranty, representation or guarantee regarding the suitability of its products for any particular purpose, nor does SCILLC assume any liability arising out of the application or use of any product or circuit, and specifically disclaims any and all liability, including without limitation special, consequential or incidental damages. "Typical" parameters which may be provided in SCILLC data sheets and/or specifications can and do vary in different applications and actual performance may vary over time. All operating parameters, including "Typicals" must be validated for each customer application by customer's technical experts. SCILLC does not convey any license under its patent rights nor the rights of others. SCILLC products are not designed, intended, or authorized for use as components in systems intended for surgical implant into the body, or other applications intended to support or sustain life, or for any other application in which the failure of the SCILLC product could create a situation where personal injury or death may occur. Should Buyer purchase or use SCILLC products for any such unintended or unauthorized application, Buyer shall indemnify and hold SCILLC and its officers, employees, subsidiaries, affiliates, and distributors harmless against all claims, costs, damages, and expenses, and reasonable attorney fees arising out of, directly or indirectly, any claim of personal injury or death associated with such unintended or unauthorized use, even if such claim alleges that SCILLC was negligent regarding the design or manufacture of the part. SCILLC is an Equal Opportunity/Affirmative Action Employer. This literature is subject to all applicable copyright laws and is not for resale in any manner.

Mouser Electronics

Authorized Distributor

Click to View Pricing, Inventory, Delivery & Lifecycle Information:

[ON Semiconductor:](#)

[EFC6601R-TR](#) [EFC6601R-A-TR](#)