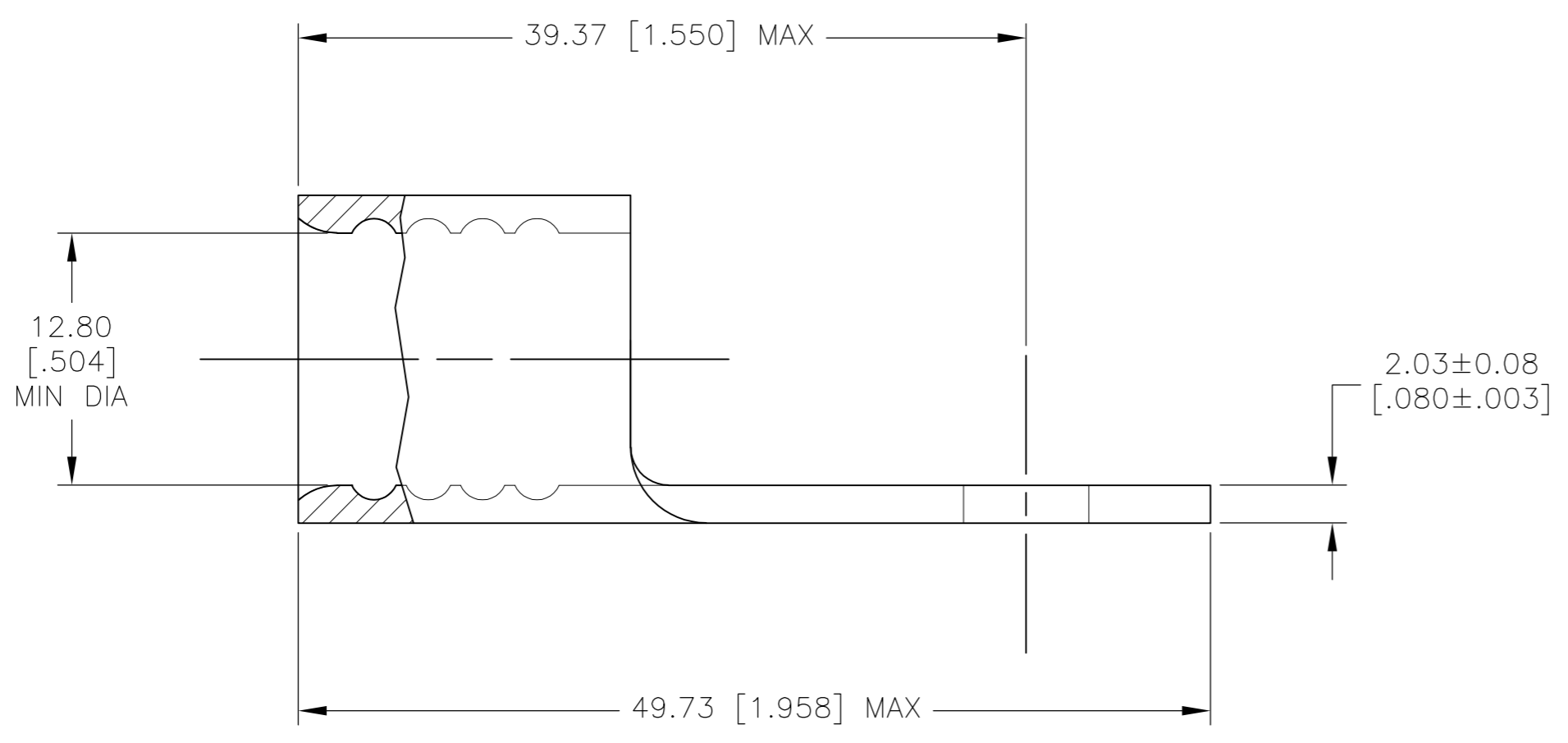
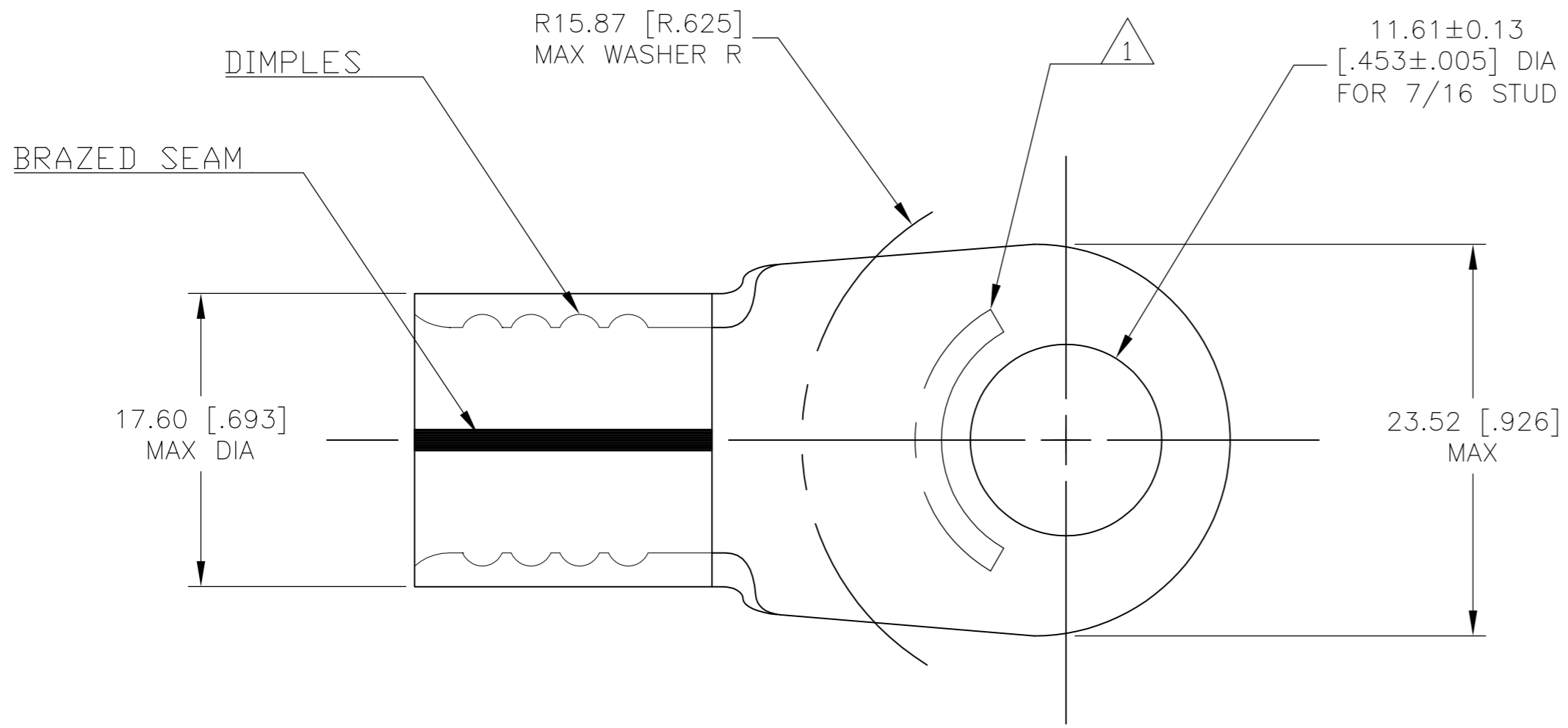


THIS DRAWING IS UNPUBLISHED. RELEASED FOR PUBLICATION
 © COPYRIGHT BY TYCO ELECTRONICS CORPORATION. ALL INTERNATIONAL RIGHTS RESERVED.

LOC	DIST	REVISIONS					
		P	LTR	DESCRIPTION	DATE	DWN	APVD
G	14	F		REV PER ECR 10-000722	22JAN10	JR	TM



AMP WIRE RANGE	Listed FILE E13288
2/0 AWG SOLID OR STRANDED	2/0 AWG STRANDED
LR7189 Certified	MILITARY P/N AND CLASS
2/0 AWG SOLID OR STRANDED	MS 20659-154 CLASS 2

- STAMP AMP 2/OW* APPROX AS SHOWN
- COPPER PER ASTM B-152, ANNEALED
- TIN PLATE 0/00254 [.000100] MIN EXT THK PER ASTM B-545

50	LOOSE PIECE	321872
QTY	PACKAGE TYPE	PART NO.

MAX RECOMMENDED OPERATING TEMPERATURE: 170°C MAX	THIS DRAWING IS A CONTROLLED DOCUMENT.		DWN DK SCHRUM 1/14/94	Tyco Electronics Corporation Harrisburg, PA 17105-3608
	VOLTAGE RATING: N/A	DIMENSIONS: MM [INCHES]	CHK AJ KAUFMAN 1/19/94	
CIRCULAR MIL AREA: 60.6-76.3mm² [119,500-150,500] SOLID OR STRANDED	TOLERANCES UNLESS OTHERWISE SPECIFIED: 0 PLC ± - 1 PLC ± - 2 PLC ± 0.20[.008] 3 PLC ± - 4 PLC ± - ANGLES ± - FINISH	APVD JL MECKLEY 1/19/94	NAME JL MECKLEY	RESTRICTED TO
MATERIAL -		PRODUCT SPEC - APPLICATION SPEC -	SIZE A2	SCALE 2:1
		WEIGHT -	CAGE CODE 00779	DRAWING NO 321872
		CUSTOMER DRAWING	REV F	SHEET 1 of 1

321872

Mouser Electronics

Authorized Distributor

Click to View Pricing, Inventory, Delivery & Lifecycle Information:

[TE Connectivity:](#)

[321872](#)