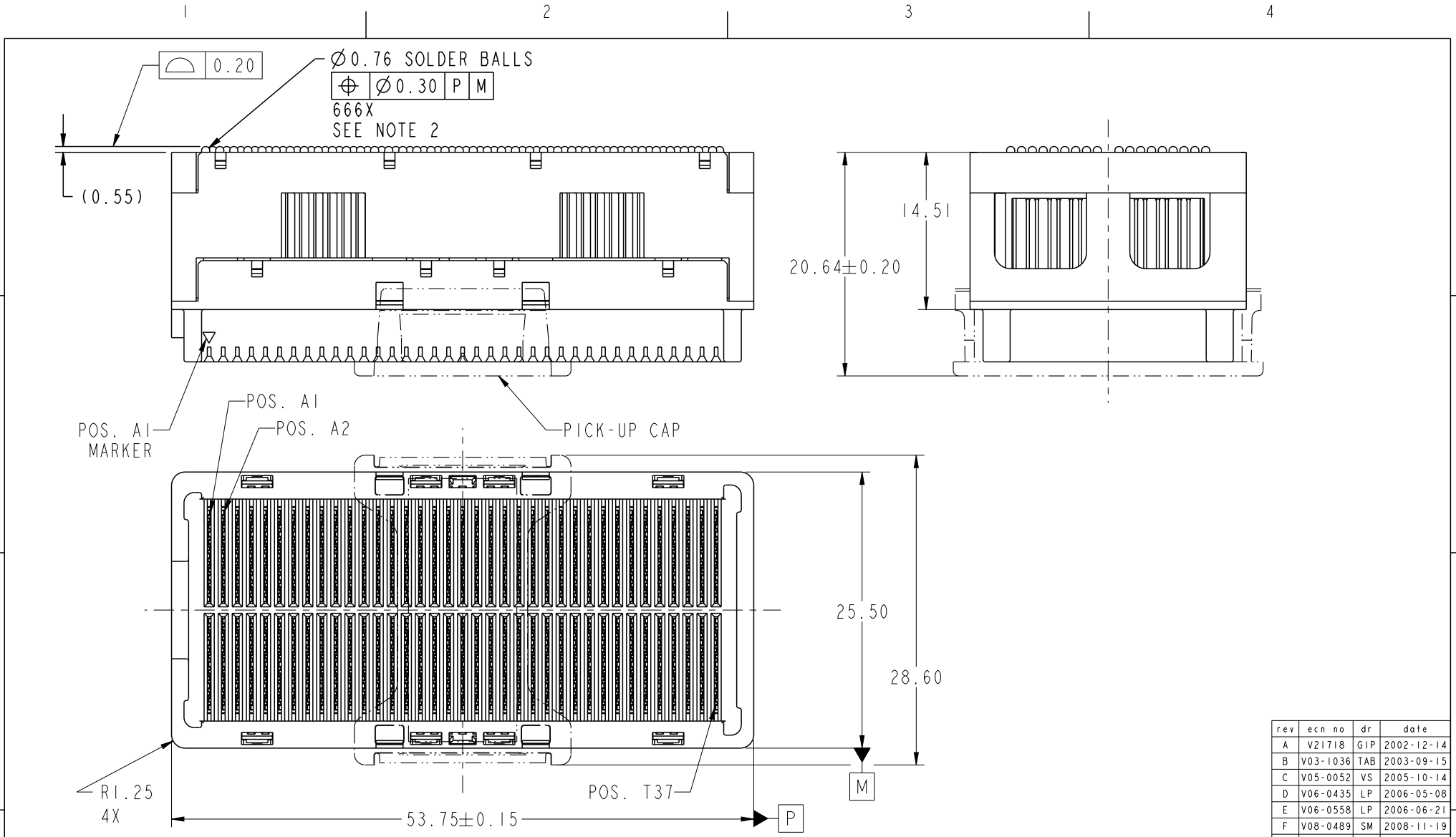




Copyright FCI.



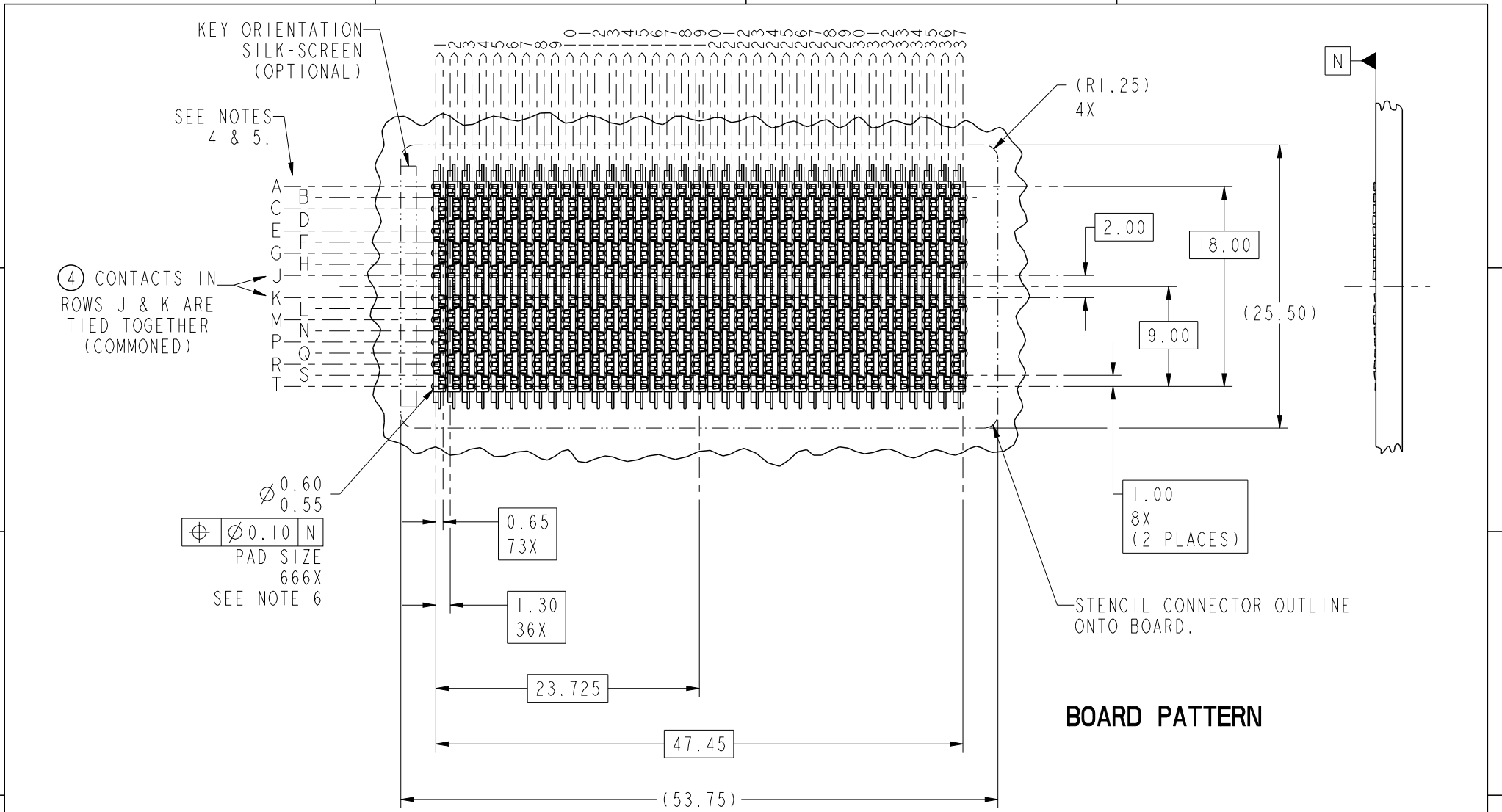
rev	ecn no	dr	date
A	V21718	GIP	2002-12-14
B	V03-1036	TAB	2003-09-15
C	V05-0052	VS	2005-10-14
D	V06-0435	LP	2006-05-08
E	V06-0558	LP	2006-06-21
F	V08-0489	SM	2008-11-19
-	-	-	-

spec ref	-	dr	Bill Lin	2010/02/02	projection	mm	size	A4	scale	1:1		
tolerance std	TOLERANCES UNLESS OTHERWISE SPECIFIED	eng	Nickor Zuo	2011/06/09			ecn no	ELX-DG-003943-1				
		chr	Alex Cao	2011/06/24				rel level	Released			
		appr	Pei-Ming Zheng	2011/06/27	product family	GIG-Array						
surface	3.2	linear	0.X	$\pm 0.30$		title GIG-Array 15mm RECP. ASSY. 296 SIG. POS.	dwg no 55733	rev		G		
			0.XX	$\pm 0.10$				cat. no.		-		
			0.XXX	$\pm 0.05$				Product - Customer Drw		sheet 1 of 5		
ASME Y14.5		angular	0°	$\pm 2^\circ$	www.fci.com							

PreE File - REV C - 2009-06-09



Copyright FCI.



**BOARD PATTERN**

spec ref	-	dr	Bill Lin	2010/02/02	projection	mm	size	A4	scale	1:1		
tolerance std	TOLERANCES UNLESS OTHERWISE SPECIFIED	eng	Nickor Zuo	2011/06/09			ecn no		ELX-DG-003943-1			
-		chr	Alex Cao	2011/06/24			rel level		Released			
-		appr	Pei-Ming Zheng	2011/06/27			product family		GIG-Array			
surface	3.2	linear	0.X	±0.30		title GIG-Array 15mm RECP. ASSY. 296 SIG. POS.	dwg no 55733	rev G	ASME Y14.5			
		angular	0°	±2°					cat. no.		-	
									www.fci.com		Product - Customer Drw	
sheet 2 of 5												

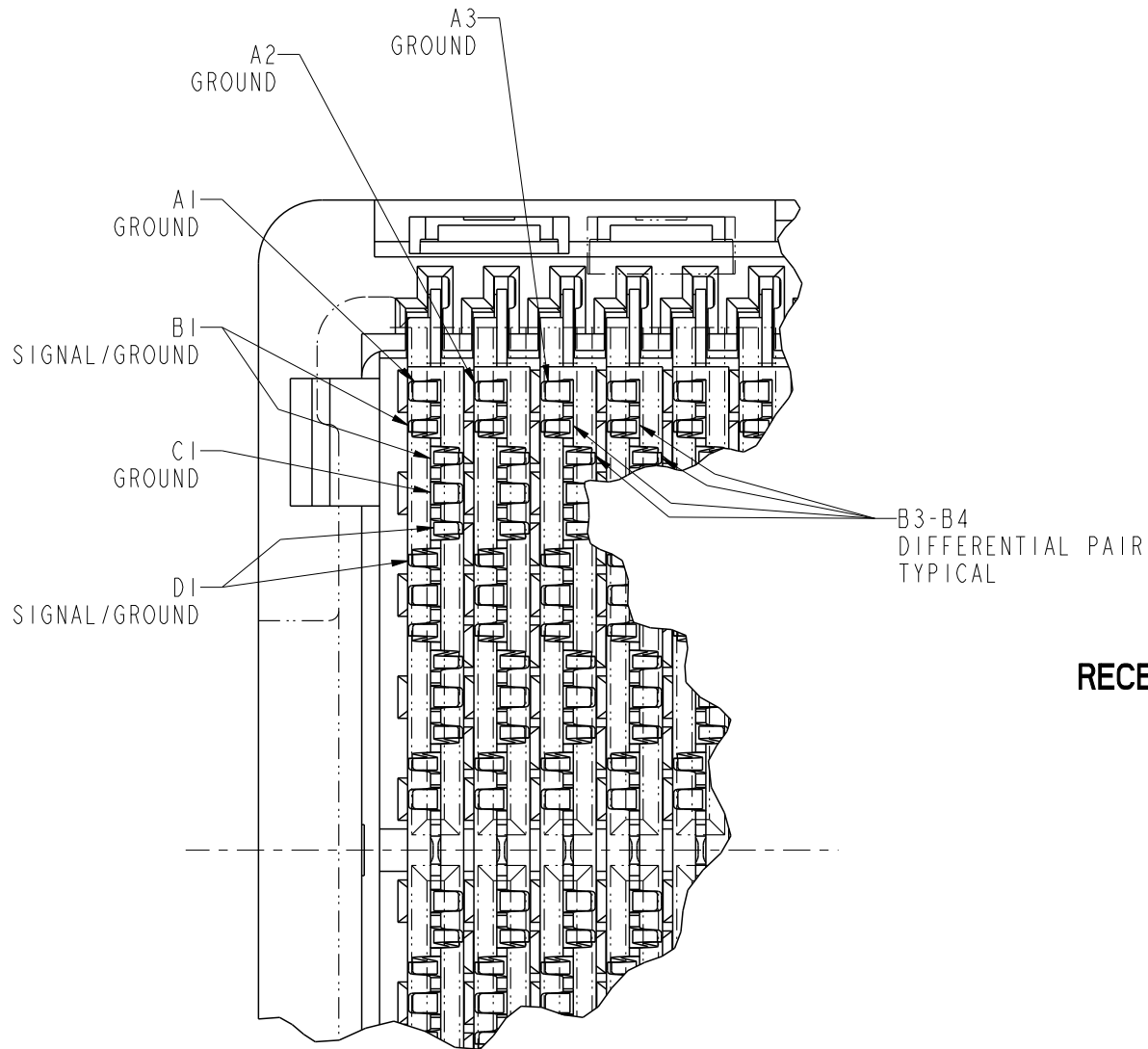
PrdE File - REV C - 2009-06-09

A

B

C

D



RECEPTACLE INTERFACE DESCRIPTION

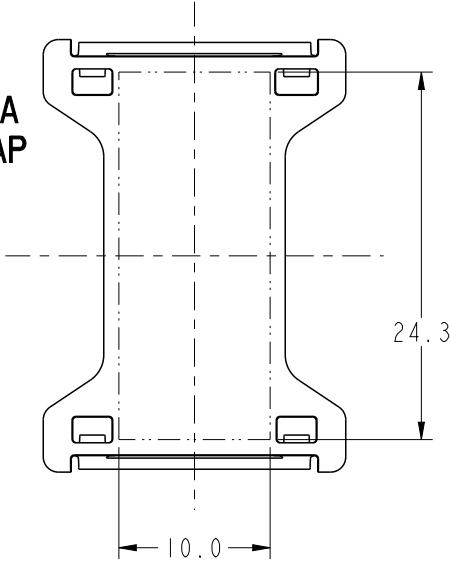


Copyright FCI.

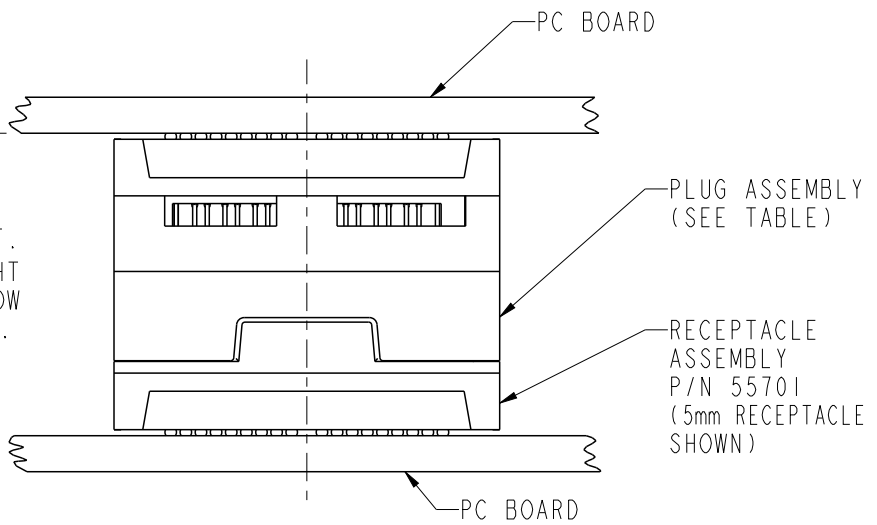
spec ref		-		dr	Bill Lin	2010/02/02	projection 	mm 	size	A4	scale	1:1	
tolerance std		TOLERANCES UNLESS OTHERWISE SPECIFIED		eng	Nickor Zuo	2011/06/09			ecn no	ELX-DG-003943-1			
-		-		chr	Alex Cao	2011/06/24				rel level		Released	
-		-		appr	Pei-Ming Zheng	2011/06/27			product family		GIG-Array		
surface	3.2	linear	0.X	±0.30		title GIG-Array 15mm RECP. ASSY. 296 SIG. POS.	dwg no 55733	rev G	ASME Y14.5		angular	0°	±2°
			0.XX	±0.10					cat. no.	-	Product - Customer Drw		sheet 3 of 5
			0.XXX	±0.05					www.fci.com		Product - Customer Drw		sheet 3 of 5

PreE File - REV C - 2009-06-09

**FLAT AREA PICK-UP CAP**  
SCALE 2:1



DIM "A" REF.  
MATED HEIGHT  
AFTER REFLOW  
SEE NOTE 3.



**END VIEW OF MATED CONNECTORS**  
SCALE 2:1

DIM. "A"	PLUG ASSEMBLY P/N
25	55720
27	10026804
28	10008026
30	55700
35	55727
40	10054784



Copyright FCI.

spec ref -			dr <b>Bill Lin</b>	2010/02/02	projection 	mm 	size A4	scale 1:1	
tolerance std -			eng <b>Nickor Zuo</b>	2011/06/09			ecn no ELX-DG-003943-1		
TOLERANCES UNLESS OTHERWISE SPECIFIED			chr <b>Alex Cao</b>	2011/06/24			rel level <b>Released</b>		
surface 3.2	linear	0.X	±0.30		title GIG-Array	dwg no 55733	rev <b>G</b>	ASME Y14.5	
		0.XX	±0.10						
	angular	0°	±2°	www.fci.com	cat. no. -	Product - Customer Drw		sheet 4 of 5	

ProE File - REV C - 2009-06-09

PRODUCT NUMBER	SOLDER BALL COMPOSITION	CONTACT PLATING PERFORMANCE LEVEL
55733-001	STANDARD (EUTECTIC)	PERFORMANCE-BASED PLATING, QUALIFIED TO MEET THE REQUIREMENTS OF FCI PRODUCT SPECIFICATION GS-12-192, INCLUDING TELCORDIA CENTRAL OFFICE  Au over Ni
55733-001LF	LEADFREE	
55733-201	STANDARD (EUTECTIC)	
55733-201LF	LEADFREE	

NOTES:

- ① MATERIAL:  
HOUSING: LCP  
CONTACT: COPPER ALLOY  
PLATING (CONTACT): Au OVER Ni.  
UL RATING: 94 V-0  
SOLDER BALL: (SEE TABLE) EUTECTIC SnPb OR LEADFREE 95.5 Sn/4Ag/0.5Cu
- ② SOLDER BALLS WILL NOT BE PERFECT SPHERICAL SHAPE DUE TO REFLOW ATTACHMENT.
- ③ MATED HEIGHT EFFECTED BY CUSTOMERS' PCB PAD SIZE, PLATING, SOLDER REFLOW PROFILE & SOLDER PASTE.
- ④ CONTACTS IN ROWS A,C,E,G,J,K,M,P,R AND T ARE SINGLE BEAM CONTACTS, TYPICALLY USED AS GROUND PINS.  
(NOTE: CONTACTS IN ROWS J & K ARE TIED TOGETHER [COMMONED])
- ⑤ CONTACTS IN ROWS B,D,F,H,L,N,Q AND S ARE DUAL BEAM CONTACTS, TYPICALLY USED AS SIGNAL PINS.

NOTES CONTINUED

- ⑥ SPECIFIED POSITIONAL TOLERANCE DEFINES PAD TO PAD LOCATION WITHIN LAND PATTERN. POSITIONAL TOLERANCE OF LAND PATTERN TO FUDICIAL MARKS OR PCB DATUMS SHALL BE DEFINED BY CUSTOMER. FOR RECOMMENDED PRODUCT APPLICATION AND PCB DESIGN DETAILS, SEE DOC. NO. GS-20-016.
- ⑦ FOR PROPER APPLICATION FOLLOW FCI APPLICATION SPECIFICATION GS-20-033 LEADFREE SOLDER BALLS WILL NOT SOLDER PROPERLY IN A LEADED SOLDER PROCESS DUE TO A HIGHER REFLOW TEMPERATURE, LEADFREE PRODUCT IS THEREFORE NOT BACKWARDS COMPATIBLE WITH LEADED OR SOME SOLDERING APPLICATIONS. REFERENCE FCI APPLICATION SPECIFICATION.
- ⑧ THIS PRODUCT MEETS THE EUROPEAN UNION DIRECTIVES AND OTHER COUNTRY REGULATIONS AS DESCRIBED IN GS-22-008. PRODUCT MEETING WITH THIS DIRECTIVE IS IDENTIFIED IN THE LOT CODE NUMBER MARKED ON EACH PART BY HAVING AN "X" IN THE SEVENTH CHARACTER POSITION.

spec ref	-			dr	Bill Lin	2010/02/02	projection 	mm 	size	A4	scale	1:1	
tolerance std	TOLERANCES UNLESS OTHERWISE SPECIFIED			eng	Nickor Zuo	2011/06/09			ecn no	ELX-DG-003943-1			
-				chr	Alex Cao	2011/06/24			product family	GIG-Array		rel level	Released
-				appr	Pei-Ming Zheng	2011/06/27			surface	3.2		rev	G
ASME Y14.5	linear	0.X	±0.30		title	GIG-Array	15mm RECP. ASSY. 296 SIG. POS.	dwg no	55733		sheet 5 of 5		
		0.XX	±0.10										
		0.XXX	±0.05										
	angular	0°	±2°	www.fci.com	cat. no.	-	Product - Customer Drw						

# Mouser Electronics

Authorized Distributor

Click to View Pricing, Inventory, Delivery & Lifecycle Information:

[FCI / Amphenol:](#)

[55733-001](#) [55733-001LF](#) [55733-201](#)