



Is Now Part of



**ON Semiconductor®**

To learn more about ON Semiconductor, please visit our website at  
[www.onsemi.com](http://www.onsemi.com)

Please note: As part of the Fairchild Semiconductor integration, some of the Fairchild orderable part numbers will need to change in order to meet ON Semiconductor's system requirements. Since the ON Semiconductor product management systems do not have the ability to manage part nomenclature that utilizes an underscore (\_), the underscore (\_) in the Fairchild part numbers will be changed to a dash (-). This document may contain device numbers with an underscore (\_). Please check the ON Semiconductor website to verify the updated device numbers. The most current and up-to-date ordering information can be found at [www.onsemi.com](http://www.onsemi.com). Please email any questions regarding the system integration to [Fairchild\\_questions@onsemi.com](mailto:Fairchild_questions@onsemi.com).

ON Semiconductor and the ON Semiconductor logo are trademarks of Semiconductor Components Industries, LLC dba ON Semiconductor or its subsidiaries in the United States and/or other countries. ON Semiconductor owns the rights to a number of patents, trademarks, copyrights, trade secrets, and other intellectual property. A listing of ON Semiconductor's product/patent coverage may be accessed at [www.onsemi.com/site/pdf/Patent-Marking.pdf](http://www.onsemi.com/site/pdf/Patent-Marking.pdf). ON Semiconductor reserves the right to make changes without further notice to any products herein. ON Semiconductor makes no warranty, representation or guarantee regarding the suitability of its products for any particular purpose, nor does ON Semiconductor assume any liability arising out of the application or use of any product or circuit, and specifically disclaims any and all liability, including without limitation special, consequential or incidental damages. Buyer is responsible for its products and applications using ON Semiconductor products, including compliance with all laws, regulations and safety requirements or standards, regardless of any support or applications information provided by ON Semiconductor. "Typical" parameters which may be provided in ON Semiconductor data sheets and/or specifications can and do vary in different applications and actual performance may vary over time. All operating parameters, including "Typicals" must be validated for each customer application by customer's technical experts. ON Semiconductor does not convey any license under its patent rights nor the rights of others. ON Semiconductor products are not designed, intended, or authorized for use as a critical component in life support systems or any FDA Class 3 medical devices or medical devices with a same or similar classification in a foreign jurisdiction or any devices intended for implantation in the human body. Should Buyer purchase or use ON Semiconductor products for any such unintended or unauthorized application, Buyer shall indemnify and hold ON Semiconductor and its officers, employees, subsidiaries, affiliates, and distributors harmless against all claims, costs, damages, and expenses, and reasonable attorney fees arising out of, directly or indirectly, any claim of personal injury or death associated with such unintended or unauthorized use, even if such claim alleges that ON Semiconductor was negligent regarding the design or manufacture of the part. ON Semiconductor is an Equal Opportunity/Affirmative Action Employer. This literature is subject to all applicable copyright laws and is not for resale in any manner.



# FSUSB73

## 3:1 High-Speed USB Multiplexer and Hub Routing Switch

### Features

Switch Type	3:1 MUX + Isolation Switch
USB	USB 2.0 High-Speed & Full-Speed Compliant
R <sub>ON</sub>	6.5Ω
C <sub>ON</sub>	6pF
ESD (IEC61000-4-2)	15kV (Air), 8kV (Contact)
V <sub>CC</sub>	2.5 to 4.4V
I <sub>CCSLP</sub>	<1μA
I <sub>CCACT</sub>	9μA
Package	16-Lead UMLP 1.8 x 2.6 x 0.55mm, 0.40mm Pitch
Ordering Information	FSUSB73UMX (UMLP)

### Description

The FSUSB73 is a bi-directional, low-power, high-speed USB 2.0 3:1 MUX plus one isolation switch. It is optimized for switching three high-speed (480Mbps) or full / low-speed USB / UART sources to one USB 2.0 connector. In addition, the FSUSB73 has an integrated routing USB switch to allow communication between a USB hub and another processor without re-enumeration.

### Related Resources

- For samples and questions, please contact: [Analog.Switch@fairchildsemi.com](mailto:Analog.Switch@fairchildsemi.com).
- FSUSB73 Demonstration Board
- FSUSB73 Evaluation Board

### Applications

- MP3 Portable Media Players
- Cellular Phones, Smartphones
- Netbook, Mobile Internet Device (MID)
- Enables USB Hub Switching

### Typical Application

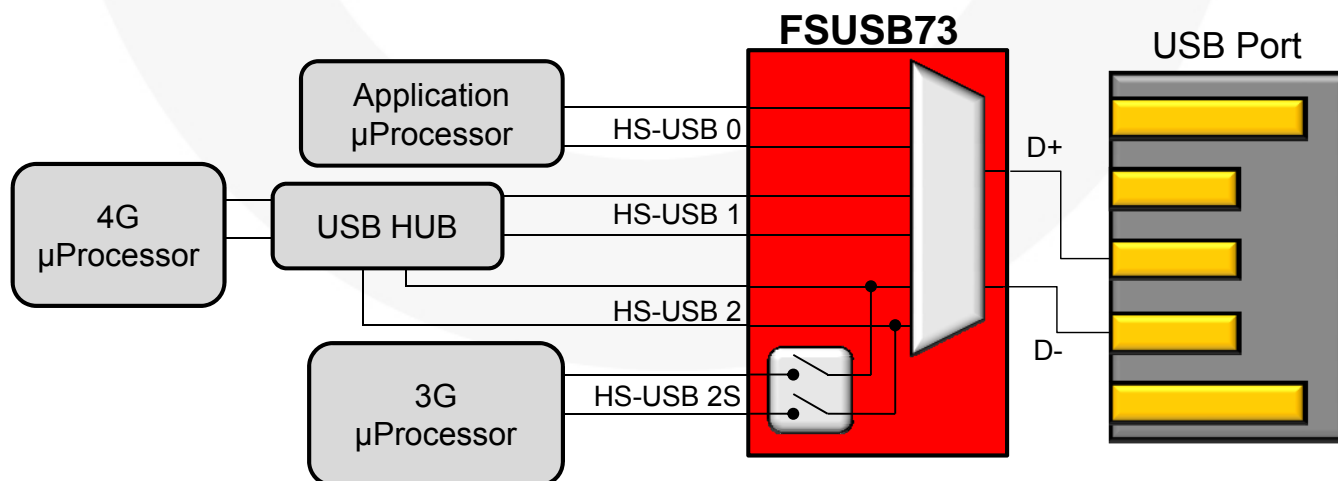


Figure 1. Mobile Phone Example

## Pin Configuration

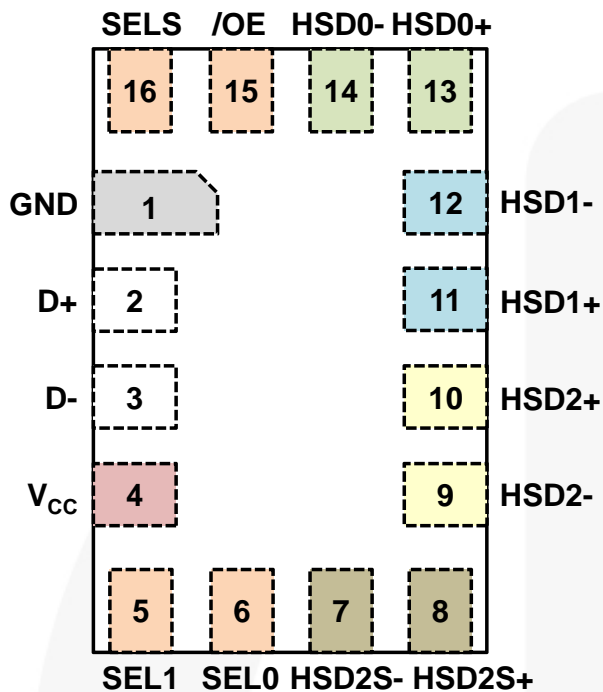


Figure 2. Pin Assignments (Top View)

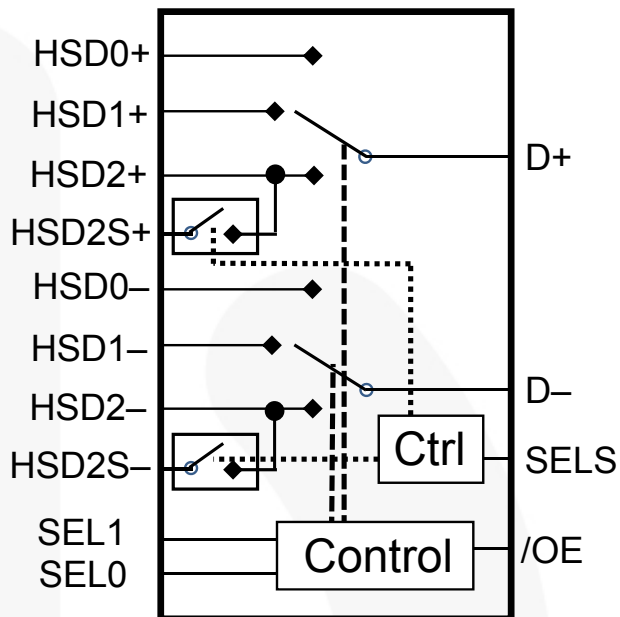


Figure 3. Analog Symbol

## Pin Descriptions

Pin #	Name	Type	Description
1	GND	Ground	Ground
2	D+	I/O	D+ Common Port (HS or FS USB)
3	D-	I/O	D- Common Port (HS or FS USB)
4	V <sub>CC</sub>	Power Supply	Supply Voltage
5	SEL1	Input	Path Selection Control Input (see Truth Tables)
6	SEL0	Input	Path Selection Control Input (see Truth Tables)
7	HSD2S-	I/O	HSD2- from Isolation Switch (HS or FS USB)
8	HSD2S+	I/O	HSD2+ from Isolation Switch (HS or FS USB)
9	HSD2-	I/O	D- from Third Source Path (HS or FS USB)
10	HSD2+	I/O	D+ from Third Source Path (HS or FS USB)
11	HSD1+	I/O	D+ from Second Source Path (HS or FS USB)
12	HSD1-	I/O	D- from Second Source Path (HS or FS USB)
13	HSD0+	I/O	D+ from First Source Path (HS or FS USB)
14	HSD0-	I/O	D- from First Source Path (HS or FS USB)
15	/OE	Input	Enable Control Input (see Truth Tables)
16	SELS	Input	Path Selection Control Input (see Truth Table)

## Truth Tables

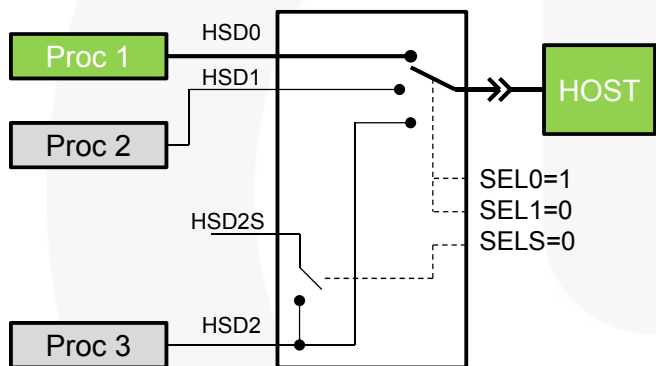
**Table 1. 3:1 USB Switch Control**

/OE	SEL1	SEL0	Function
1	X	X	All Switch Paths Open
0	0	1	D+ = HSD0+, D- = HSD0-
0	1	0	D+ = HSD1+, D- = HSD1-
0	1	1	D+ = HSD2+, D- = HSD2-
0	0	0	All Switch Paths Open

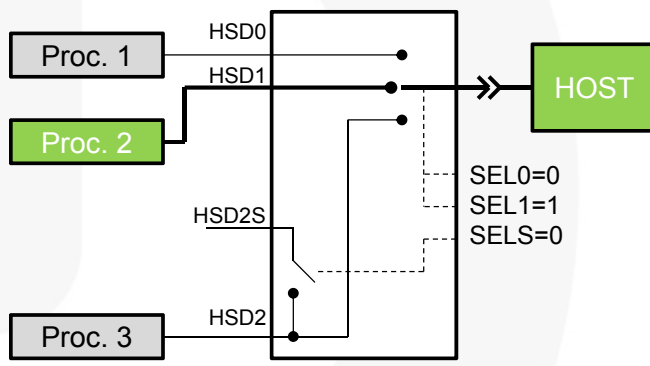
**Table 2. Isolation Switch Control**

SELS	Function
0	HSD2S+ = Open, HSD2S- = Open
1	HSD2S+ = HSD2+, HSD2S- = HSD2-

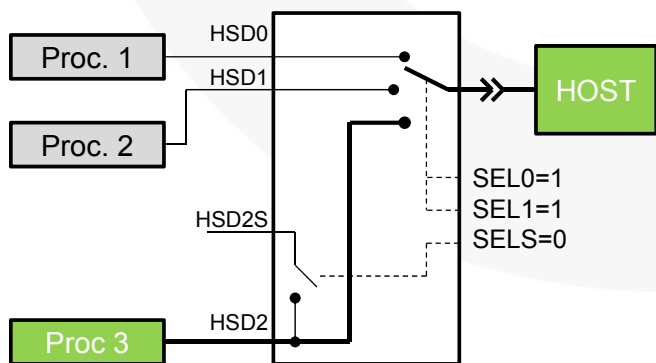
## Functionality



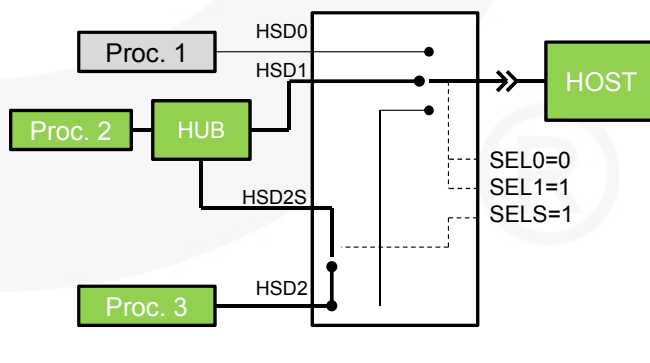
**Figure 4. Typical USB Application 1**



**Figure 5. Typical USB Application 2**



**Figure 6. Typical USB Application 3**



**Figure 7. Loopback USB Application**

## Absolute Maximum Ratings

Stresses exceeding the absolute maximum ratings may damage the device. The device may not function or be operable above the recommended operating conditions and stressing the parts to these levels is not recommended. In addition, extended exposure to stresses above the recommended operating conditions may affect device reliability. The absolute maximum ratings are stress ratings only.

Symbol	Parameter	Min.	Max.	Unit	
V <sub>CC</sub>	Supply Voltage	-0.50	5.25	V	
V <sub>CNTRL</sub>	DC Input Voltage (SEL1, SEL0, /OE, SELS) <sup>(1)</sup>	-0.5	V <sub>CC</sub>	V	
V <sub>SW</sub>	DC Switch I/O Voltage <sup>(1)</sup>	-0.50	5.25	V	
I <sub>IK</sub>	DC Input Diode Current	-50		mA	
T <sub>STG</sub>	Storage Temperature	-65	+150	°C	
MSL	Moisture Sensitivity Level (JEDEC J-STD-020A)		1	Level	
ESD	IEC61000-4-2 System on USB Connector Pins D+ & D-	Air Gap	15		kV
		Contact	8		
	Human Body Model, JEDEC: JESD22-A114	D+, D- to GND	6		
		Power to GND	12		
		All Other Pins	2		

**Note:**

- The input and output negative ratings may be exceeded if the input and output diode current ratings are observed.

## Recommended Operating Conditions

The Recommended Operating Conditions table defines the conditions for actual device operation. Recommended operating conditions are specified to ensure optimal performance to the datasheet specifications. Fairchild does not recommend exceeding them or designing to Absolute Maximum Ratings.

Symbol	Parameter	Min.	Max.	Unit
V <sub>CC</sub>	Supply Voltage	2.5	4.4	V
V <sub>CNTRL</sub>	Control Input Voltage (SEL1, SEL0, /OE, and SELS) <sup>(2)</sup>	0	V <sub>CC</sub>	V
V <sub>SW</sub>	Switch I/O Voltage	-0.5	4.4	V
T <sub>A</sub>	Operating Temperature	-40	+85	°C

**Note:**

- The control input must be held HIGH or LOW; it must not float.

## DC Electrical Characteristics

All typical values are for  $V_{CC}=3.3V$  at  $T_A=25^\circ C$  unless otherwise specified.

Symbol	Parameter	Conditions	$V_{CC}$ (V)	$T_A=-40^\circ C$ to $+85^\circ C$			Unit
				Min.	Typ.	Max.	
$R_{ON}$	HS Switch On Resistance <sup>(3)</sup>	$V_{SW}=0.4V$ , $I_{ON}=-8mA$ , Figure 8	3.3		6.5	9.0	$\Omega$
$\Delta R_{ON}$	HS Delta $R_{ON}$ <sup>(4,3)</sup>	$V_{SW}=0.4V$ , $I_{ON}=-8mA$	3.3		0.5		$\Omega$
$I_{IN}$	Control Input Leakage	All Combinations of /OE, SELS, SEL1, SEL0 in Truth Tables (Table 1, Table 2) ( $1=V_{CC}$ , $0=0V$ )	4.4	-1		1	$\mu A$
$I_{OZ}$	Off State Leakage	$0 \leq D_n$ , HSD0n, HSD1n, HSD2n, HSD3n, HSD2Sn $\leq 4.4V$	4.4	-1		1	$\mu A$
$I_{OFF}$	Power-Off Leakage Current (All I/O Ports)	$V_{SW}=0V$ to $4.4V$ , $V_{CC}=0V$ , Figure 9	0	-1		1	$\mu A$
$I_{CCSLP}$	Sleep Mode Supply Current	All Disabled Conditions in Truth Tables (Table 1, Table 2)	4.4			1	$\mu A$
$I_{CCACT}$	Active Mode Supply Current	All Active Modes in Truth Tables (Table 1, Table 2)	4.4		9	18	$\mu A$
$I_{CCT}$	Increase in $I_{CC}$ Current per Control Input and $V_{CC}$	$V_{CTRL}=1.8V$	4.4		3.3	4.0	$\mu A$
		$V_{CTRL}=1.2V$	4.4		4.9	6.0	$\mu A$
$V_{IK}$	Clamp Diode Voltage	$I_{IN}=-18mA$	2.5			-1.2	V
$V_{IH}$	Control Input Voltage HIGH	SEL1, SEL0, /OE, SELS	2.5 to 4.4	1.0			V
$V_{IL}$	Control Input Voltage LOW	SEL1, SEL0, /OE, SELS	2.5 to 4.4			0.35	V

### Notes:

- Measured by the voltage drop between HSDn and Dn pins at the indicated current through the switch. On resistance is determined by the lower of the voltage on the two (HSDn or Dn ports).
- Guaranteed by characterization.

## AC Electrical Characteristics

All typical values are for  $V_{CC}=3.3V$  at  $T_A=25^\circ C$  unless otherwise specified.

Symbol	Parameter	Conditions	$V_{CC}$ (V)	$T_A=-40^\circ C$ to $+85^\circ C$			Unit
				Min.	Typ.	Max.	
$t_{ON}$	Turn-On Time when Switching from One USB Path (or Disabled i.e. /OE=1) to Another USB Path	$R_L=50\Omega$ , $C_L=35pF$ , $V_{SW}=0.8V$ , Figure 10, Figure 11	2.5 to 4.4	126		400	$\mu s$
$t_{OFF}$	Turn-Off Time, Turning Off Any of the USB Paths	$R_L=50\Omega$ , $C_L=35pF$ , $V_{SW}=0.8V$ , Figure 10, Figure 11	2.5 to 4.4			80	ns
$t_{PD}$	Propagation Delay <sup>(5)</sup>	$C_L=5pF$ , $R_L=50\Omega$ , Figure 10, Figure 12	3.3		0.25		ns
$t_{RF}$	Slow Turn on/off Switch Paths <sup>(5)</sup>	$C_L=5pF$ , Dn at 0V or 3.6V, 40.5 $\Omega$ in Series with Switch 10% to 90%	3.3		4.5		ns
$t_{BBM}$	Break-Before-Make Time <sup>(5)</sup>	$R_L=50\Omega$ , $C_L=35pF$ , $V_{SW1}=V_{SW2}=0.8V$ , Figure 14	2.5 to 4.4	126		400	$\mu s$
$O_{IRR}$	Off Isolation <sup>(5)</sup>	$R_L=50\Omega$ , $f=240MHz$ , Figure 16	2.5 to 4.4		-40		dB
Xtalk	Channel-to-Channel Crosstalk <sup>(5)</sup>	$R_L=50\Omega$ , $f=240MHz$ , Figure 17	2.5 to 4.4		-40		dB
$t_{SK(P)}$	Pulse Skew <sup>(5)</sup>	$V_{SW}=0.2V_{diffPP}$ , Figure 13, $C_L=5pF$	2.5 to 4.4		25		ps
$t_{SK(I)}$	Skew Between Differential Signals within a Pair <sup>(5)</sup>	$V_{SW}=0.2V_{diffPP}$ , Figure 13, $C_L=5pF$	2.5 to 4.4		25		ps

### Note:

5. Guaranteed by characterization.

## Capacitance Characteristics

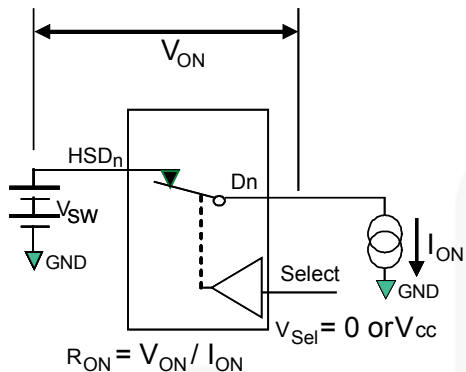
All typical values are for  $V_{CC}=3.3V$  at  $T_A=25^\circ C$  unless otherwise specified.

Symbol	Parameter	Conditions	$V_{CC}$ (V)	$T_A=-40^\circ C$ to $+85^\circ C$		Unit
				Typ.		
$C_{IN}$	Input Capacitance <sup>(6)</sup>		0	3.0		pF
$C_{ONa}$	D+/D- On Capacitance <sup>(6)</sup>	HSD0 or HSD1 path, $f=1MHz$ , Figure 19	3.3	7.2		pF
$C_{ONb}$	D+/D- On Capacitance <sup>(6)</sup>	HSD2 path, $f=1MHz$ , Figure 19	3.3	7.7		pF
$C_{ONc}$	D+/D- On Capacitance <sup>(6)</sup>	HSD2S to HSD2S path, $f=1MHz$ , Figure 19	3.3	5.4		pF
$C_{OFF}$	HSD0n, HSD1n, HSD2Sn, HSD3n Off Capacitance <sup>(6)</sup>	If $V_{CC}=3.3V$ , then /OE=3.3V, $f=1MHz$ , Figure 18	0 or 3.3	2.2		pF

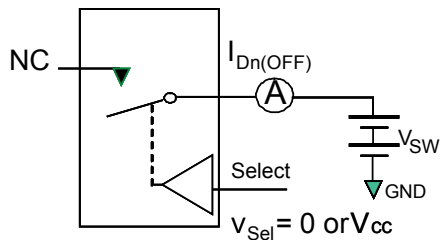
### Note:

6. Guaranteed by characterization

### Test Diagrams

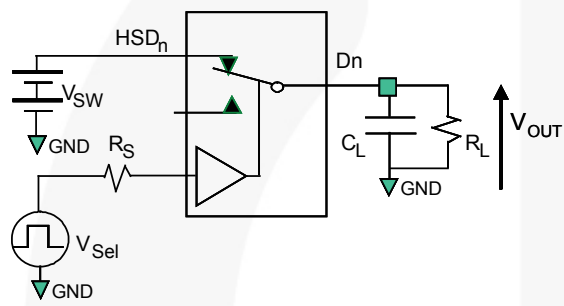


**Figure 8. On Resistance**



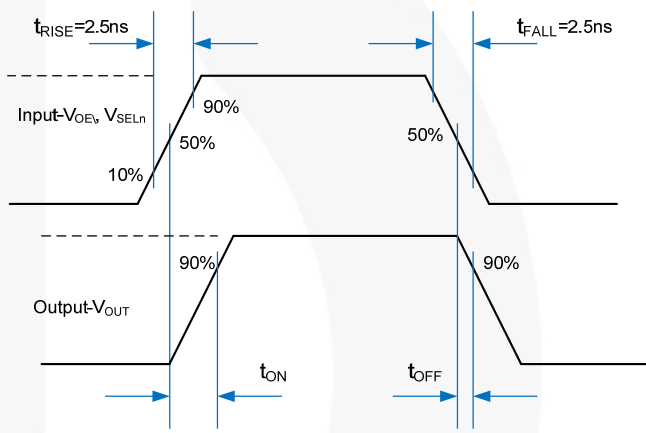
\*\*Each switch port is tested separately

**Figure 9. Off Leakage**

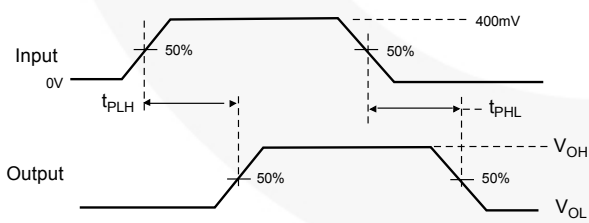


$R_L$ ,  $R_S$ , and  $C_L$  are functions of the application environment (see AC Tables for specific values)  
 $C_L$  includes test fixture and stray capacitance.

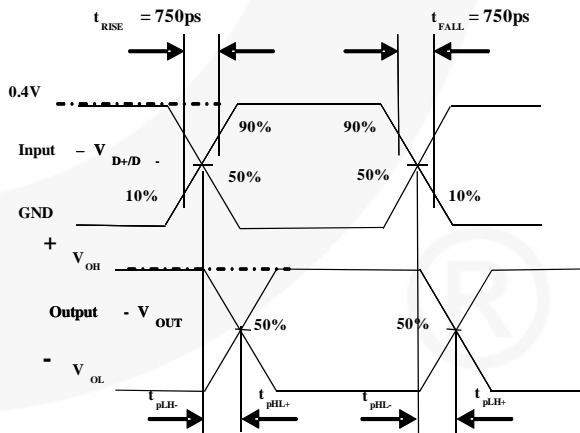
**Figure 10. AC Test Circuit Load**



**Figure 11. Turn-On / Turn-Off Waveforms**



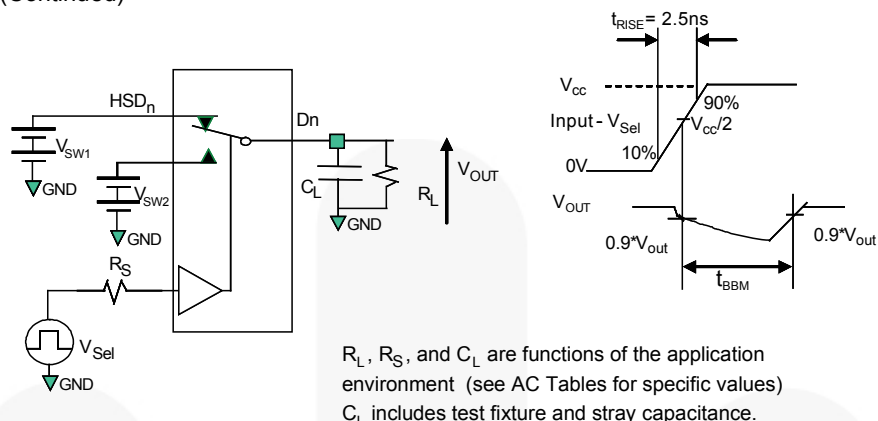
**Figure 12. Propagation Delay ( $t_{rtf} - 500ps$ )**



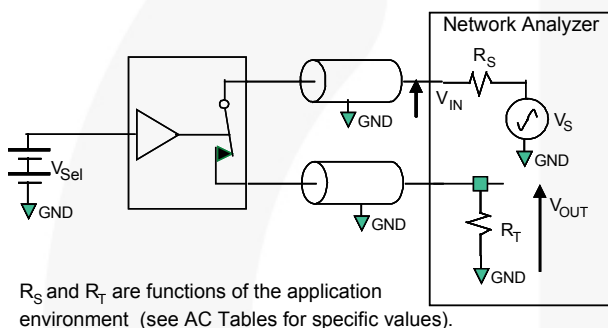
**Figure 13. Skew Test Waveforms**  
 $t_{SK(P)} = |t_{PLH-} - t_{PHL-}| \text{ OR } |t_{PLH+} - t_{PHL+}|$   
 $t_{SK(I)} = |t_{PLH-} - t_{PHL+}| \text{ OR } |t_{PLH+} - t_{PHL-}|$



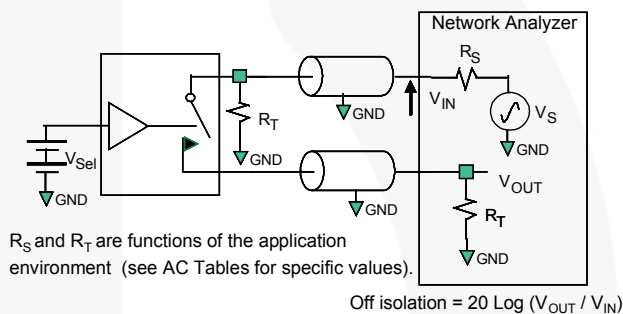
**Test Diagrams (Continued)**



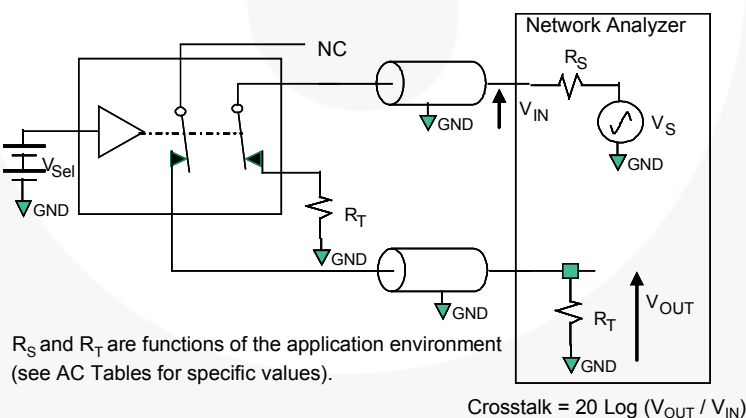
**Figure 14. Break-Before-Make Interval Timing**



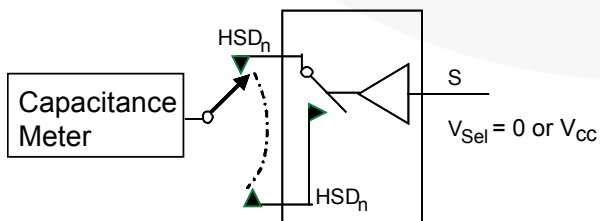
**Figure 15. Bandwidth**



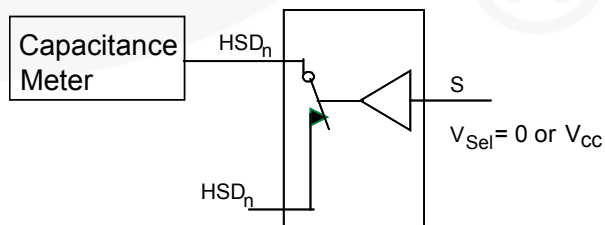
**Figure 16. Channel-Off Isolation**



**Figure 17. Non-Adjacent Channel-to-Channel Crosstalk**

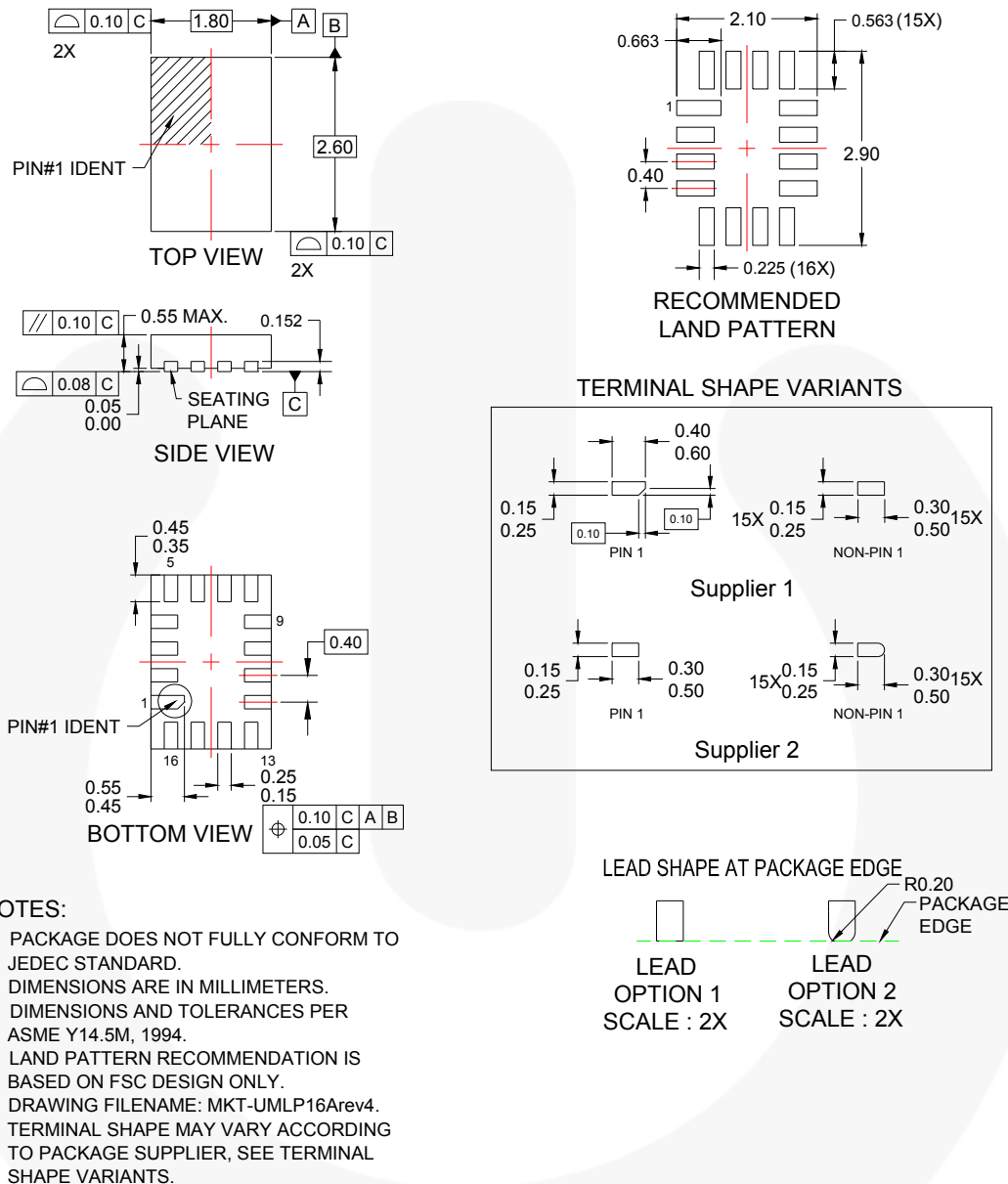


**Figure 18. Channel Off Capacitance**



**Figure 19. Channel On Capacitance**

## Physical Dimensions



**Figure 20. 16-Pin Ultrathin Molded Leadless Package (UMLP)**

Order Number	Operating Temperature Range	Package Description	Packing Method
FSUSB73UMX	-40 to 85°C	16-Terminal Ultrathin Molded Leadless Package (UMLP)	Tape & Reel

Package drawings are provided as a service to customers considering Fairchild components. Drawings may change in any manner without notice. Please note the revision and/or date on the drawing and contact a Fairchild Semiconductor representative to verify or obtain the most recent revision. Package specifications do not expand the terms of Fairchild's worldwide terms and conditions, specifically the warranty therein, which covers Fairchild products.





Always visit Fairchild Semiconductor's online packaging area for the most recent package drawings:

<http://www.fairchildsemi.com/packaging/>



**TRADEMARKS**

The following includes registered and unregistered trademarks and service marks, owned by Fairchild Semiconductor and/or its global subsidiaries, and is not intended to be an exhaustive list of all such trademarks.

- |  |  |  |  |
|--|--|--|--|
| 2Cool™   | F-PFS™   | PowerTrench®   | The Power Franchise®   |
| AccuPower™   | FRFET®   | PowerXS™   | the power franchise  |
| AX-CAP™*   | Global Power Resource <sup>SM</sup>            | Programmable Active Droop™   | TinyBoost™   |
| BitSiC™  | GreenBridge™                                   | QFET®  | TinyBuck™  |
| Build it Now™  | Green FPS™                                     | QS™  | TinyCalc™  |
| CorePLUS™  | Green FPS™ e-Series™                           | Quiet Series™  | TinyLogic®   |
| CorePOWER™   | Gmax™  | RapidConfigure™  | TINYOPTO™  |
| CROSSVOLT™   | GTO™   |  ™                | TinyPower™   |
| CTL™   | IntelliMAX™                                    | Saving our world, 1mW/W/kW at a time™  | TinyPWM™   |
| Current Transfer Logic™  | ISOPLANAR™                                     | SignalWise™  | TinyWire™  |
| DEUXPEED®  | Making Small Speakers Sound Louder and Better™ | SmartMax™  | Tran SiC™  |
| Dual Cool™   | MegaBuck™                                      | SMART START™   | TriFault Detect™   |
| EcoSPARK®  | MICROCOUPLER™                                  | Solutions for Your Success™  | TRUECURRENT®*  |
| EfficientMax™  | MicroFET™                                      | SPM®   | µSerDes™   |
| ESBC™  | MicroPak™                                      | STEALTH™   |  SerDes |
|  Fairchild® | MicroPak2™                                     | SuperFET®  | UHC®   |
| Fairchild Semiconductor®   | MillerDrive™                                   | SuperSOT™-3  | Ultra FRFET™   |
| FACT Quiet Series™   | MotionMax™                                     | SuperSOT™-6  | UniFET™  |
| FACT®  | Motion-SPM™                                    | SuperSOT™-8  | VCX™   |
| FAST®  | mWSaver™                                       | SupreMOS®  | VisualMax™   |
| FastvCore™   | OptoHit™                                       | SyncFET™   | VoltagePlus™   |
| FETBench™  | OPTOLOGIC®                                     | Sync-Lock™   | XS™  |
| FlashWriter®*  | OPTOPLANAR®                                    |  SYSTEM GENERAL®* |  |
| FPS™   |  |  |  |

\* Trademarks of System General Corporation, used under license by Fairchild Semiconductor.

**DISCLAIMER**

FAIRCHILD SEMICONDUCTOR RESERVES THE RIGHT TO MAKE CHANGES WITHOUT FURTHER NOTICE TO ANY PRODUCTS HEREIN TO IMPROVE RELIABILITY, FUNCTION, OR DESIGN. FAIRCHILD DOES NOT ASSUME ANY LIABILITY ARISING OUT OF THE APPLICATION OR USE OF ANY PRODUCT OR CIRCUIT DESCRIBED HEREIN; NEITHER DOES IT CONVEY ANY LICENSE UNDER ITS PATENT RIGHTS, NOR THE RIGHTS OF OTHERS. THESE SPECIFICATIONS DO NOT EXPAND THE TERMS OF FAIRCHILD'S WORLDWIDE TERMS AND CONDITIONS, SPECIFICALLY THE WARRANTY THEREIN, WHICH COVERS THESE PRODUCTS.

**LIFE SUPPORT POLICY**

FAIRCHILD'S PRODUCTS ARE NOT AUTHORIZED FOR USE AS CRITICAL COMPONENTS IN LIFE SUPPORT DEVICES OR SYSTEMS WITHOUT THE EXPRESS WRITTEN APPROVAL OF FAIRCHILD SEMICONDUCTOR CORPORATION.

As used herein:

1. Life support devices or systems are devices or systems which, (a) are intended for surgical implant into the body or (b) support or sustain life, and (c) whose failure to perform when properly used in accordance with instructions for use provided in the labeling, can be reasonably expected to result in a significant injury of the user.
2. A critical component in any component of a life support, device, or system whose failure to perform can be reasonably expected to cause the failure of the life support device or system, or to affect its safety or effectiveness.

**ANTI-COUNTERFEITING POLICY**

Fairchild Semiconductor Corporation's Anti-Counterfeiting Policy. Fairchild's Anti-Counterfeiting Policy is also stated on our external website, [www.fairchildsemi.com](http://www.fairchildsemi.com), under Sales Support.

Counterfeiting of semiconductor parts is a growing problem in the industry. All manufacturers of semiconductor products are experiencing counterfeiting of their parts. Customers who inadvertently purchase counterfeit parts experience many problems such as loss of brand reputation, substandard performance, failed applications, and increased cost of production and manufacturing delays. Fairchild is taking strong measures to protect ourselves and our customers from the proliferation of counterfeit parts. Fairchild strongly encourages customers to purchase Fairchild parts either directly from Fairchild or from Authorized Fairchild Distributors who are listed by country on our web page cited above. Products customers buy either from Fairchild directly or from Authorized Fairchild Distributors are genuine parts, have full traceability, meet Fairchild's quality standards for handling and storage and provide access to Fairchild's full range of up-to-date technical and product information. Fairchild and our Authorized Distributors will stand behind all warranties and will appropriately address any warranty issues that may arise. Fairchild will not provide any warranty coverage or other assistance for parts bought from Unauthorized Sources. Fairchild is committed to combat this global problem and encourage our customers to do their part in stopping this practice by buying direct or from authorized distributors.

**PRODUCT STATUS DEFINITIONS**

**Definition of Terms**

Datasheet Identification	Product Status	Definition
Advance Information	Formative / In Design	Datasheet contains the design specifications for product development. Specifications may change in any manner without notice.
Preliminary	First Production	Datasheet contains preliminary data; supplementary data will be published at a later date. Fairchild Semiconductor reserves the right to make changes at any time without notice to improve design.
No Identification Needed	Full Production	Datasheet contains final specifications. Fairchild Semiconductor reserves the right to make changes at any time without notice to improve the design.
Obsolete	Not In Production	Datasheet contains specifications on a product that is discontinued by Fairchild Semiconductor. The datasheet is for reference information only.

Rev. I61

ON Semiconductor and  are trademarks of Semiconductor Components Industries, LLC dba ON Semiconductor or its subsidiaries in the United States and/or other countries. ON Semiconductor owns the rights to a number of patents, trademarks, copyrights, trade secrets, and other intellectual property. A listing of ON Semiconductor's product/patent coverage may be accessed at [www.onsemi.com/site/pdf/Patent-Marking.pdf](http://www.onsemi.com/site/pdf/Patent-Marking.pdf). ON Semiconductor reserves the right to make changes without further notice to any products herein. ON Semiconductor makes no warranty, representation or guarantee regarding the suitability of its products for any particular purpose, nor does ON Semiconductor assume any liability arising out of the application or use of any product or circuit, and specifically disclaims any and all liability, including without limitation special, consequential or incidental damages. Buyer is responsible for its products and applications using ON Semiconductor products, including compliance with all laws, regulations and safety requirements or standards, regardless of any support or applications information provided by ON Semiconductor. "Typical" parameters which may be provided in ON Semiconductor data sheets and/or specifications can and do vary in different applications and actual performance may vary over time. All operating parameters, including "Typicals" must be validated for each customer application by customer's technical experts. ON Semiconductor does not convey any license under its patent rights nor the rights of others. ON Semiconductor products are not designed, intended, or authorized for use as a critical component in life support systems or any FDA Class 3 medical devices or medical devices with a same or similar classification in a foreign jurisdiction or any devices intended for implantation in the human body. Should Buyer purchase or use ON Semiconductor products for any such unintended or unauthorized application, Buyer shall indemnify and hold ON Semiconductor and its officers, employees, subsidiaries, affiliates, and distributors harmless against all claims, costs, damages, and expenses, and reasonable attorney fees arising out of, directly or indirectly, any claim of personal injury or death associated with such unintended or unauthorized use, even if such claim alleges that ON Semiconductor was negligent regarding the design or manufacture of the part. ON Semiconductor is an Equal Opportunity/Affirmative Action Employer. This literature is subject to all applicable copyright laws and is not for resale in any manner.

## PUBLICATION ORDERING INFORMATION

### LITERATURE FULFILLMENT:

Literature Distribution Center for ON Semiconductor  
19521 E. 32nd Pkwy, Aurora, Colorado 80011 USA  
**Phone:** 303-675-2175 or 800-344-3860 Toll Free USA/Canada  
**Fax:** 303-675-2176 or 800-344-3867 Toll Free USA/Canada  
**Email:** [orderlit@onsemi.com](mailto:orderlit@onsemi.com)

**N. American Technical Support:** 800-282-9855 Toll Free  
USA/Canada  
**Europe, Middle East and Africa Technical Support:**  
Phone: 421 33 790 2910  
**Japan Customer Focus Center**  
Phone: 81-3-5817-1050

**ON Semiconductor Website:** [www.onsemi.com](http://www.onsemi.com)  
**Order Literature:** <http://www.onsemi.com/orderlit>  
For additional information, please contact your local  
Sales Representative

# Mouser Electronics

Authorized Distributor

Click to View Pricing, Inventory, Delivery & Lifecycle Information:

[ON Semiconductor:](#)

[FSUSB73UMX](#)