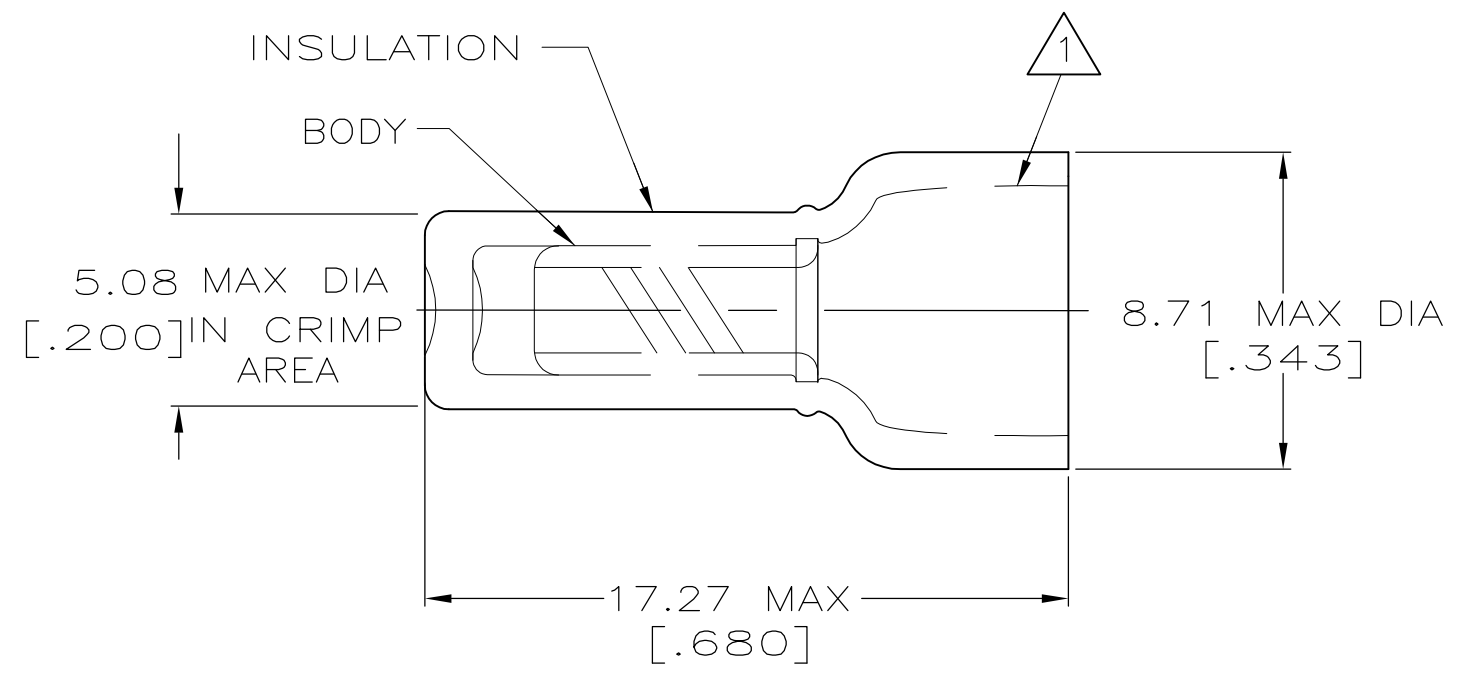
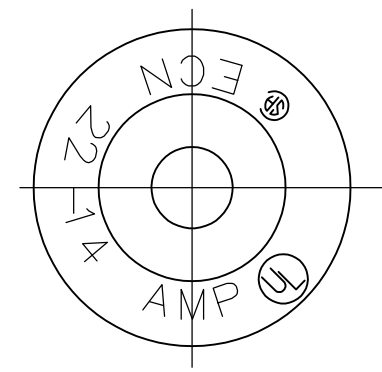


THIS DRAWING IS UNPUBLISHED. RELEASED FOR PUBLICATION  
 © COPYRIGHT - By - ALL RIGHTS RESERVED.

LOC	DIST	REVISIONS					
		P	LTR	DESCRIPTION	DATE	DWN	APVD
G	14		AJ1	REVISED PER ECO-11-004820	11MAR11	RK	HMR

<b>AMP</b> WIRE RANGE	Listed FILE E13288	LR7189 Certified
22-14 AWG SOLID OR STRANDED	22-14 AWG SOLID OR STRANDED	22-14 AWG SOLID OR STRANDED



- △1 FOR 6.35 [.250] MAX WIRE INSULATION DIA
- △2 SUPERSEDED BY 35115
- △3 SUPERSEDED BY 8-35115-5
- △4 MATERIAL, BODY, COPPER INSULATION, NYLON
- △5 FINISH, BODY, TIN PLATE ASTM B545 INSULATION, COLOR NATURAL

QTY	DESCRIPTION	PART NO
25	LOOSE PC,BAG	8-35115-5
5	LOOSE PC,BLS	8-35115-4 △3
100	LOOSE PC,BOX	8-35115-1
10000	SPECIAL PKG	1-35115-2 △2
2500	TAPE MOUNTED	1-35115-0
1000	LOOSE PC,BOX	35115

**AMP INCORPORATED**  
**CUSTOMER SERVICE SYSTEMS**

FOR ADDITIONAL PRODUCT INFORMATION OR COPIES OF DRAWINGS AND TECHNICAL DOCUMENTS  
 PRODUCT INFORMATION CENTER  
 1-800-522-6752

FOR APPLICATION TOOLING INFORMATION  
 TOOLING ASSISTANCE CENTER  
 1-800-722-1111

FOR ORDER ENTRY  
 1-800-526-5142

MAX RECOMMENDED OPERATING TEMPERATURE:  
 105° C MAX

VOLTAGE RATING:  
 300V MAX

CIRCULAR MIL AREA:  
 0.26-2.62mm<sup>2</sup> [509-5,180]  
 SOLID OR STRANDED

THIS DRAWING IS A CONTROLLED DOCUMENT.

DIMENSIONS: INCHES

TOLERANCES UNLESS OTHERWISE SPECIFIED:

0 PLC	± -
1 PLC	± -
2 PLC	± 0.20[.008]
3 PLC	± -
4 PLC	± -
ANGLES	± -

MATERIAL: △4

FINISH: △5

DWN: JR RUTH 23MAR04  
 CHK: T MICHELUTTI 23MAR04  
 APVD: T MICHELUTTI 23MAR04

**STE** TE Connectivity

NAME: SPLICE, WIRE, CLOSED END

PRODUCT SPEC: -  
 APPLICATION SPEC: -

SIZE: A3 CAGE CODE: 00779 DRAWING NO: C-35115 RESTRICTED TO: -

WEIGHT: -

CUSTOMER DRAWING SCALE: 2:1 SHEET: 1 OF 1 REV: AJ1

# Mouser Electronics

Authorized Distributor

Click to View Pricing, Inventory, Delivery & Lifecycle Information:

[TE Connectivity:](#)

[1-35115-0](#)