

DO NOT SCALE FROM THIS PRINT

NOTES:

1. REPRESENTS A CRITICAL DIMENSION.
2. BURR ALLOWANCE: .0015[.038] MAX.
3. LATCH RETENTION FORCE: 1.000LB[4.45N].
4. POSITION 2 THRU 6 TO BE IN BULK PACKING, ALL OTHER SIZES TO BE IN TUBES.
5. GATE PADS ARE RECESSED, LOCATION IS AT MOLDERS DISCRETION.

IPD1-XX-X-XX-X

No OF POSITIONS  
-02 THRU -25 (PER ROW)

ROW SPECIFICATION  
-S: SINGLE  
-D: DOUBLE

LATCH OPTION

-M: METAL LATCH (SEE FIG 1)  
(LEAVE BLANK FOR PLASTIC LATCH, SEE FIG 8 & FIG 10, SHT 2)

OPTION

- \*\* -P: POLARIZED (SEE FIG 2)  
(NOT AVAILABLE WITH -K, -GP OPTIONS)  
(LEAVE BLANK FOR NO POLARIZATION)
  - K: KEYED POLARIZATION (SEE FIG 3)  
(NOT AVAILABLE WITH -P, -GP OPTIONS)
  - \*\* -GP: GUIDE POSTS (SEE FIG 5, SHT 2)  
(NOT AVAILABLE WITH -P, -K OPTIONS)
  - \*\*\* -H: HORIZONTAL (SEE FIG 7, SHT 2)
- (\* = NOT RELEASED FOR PRODUCTION)  
(\*\* = -P, -GP & -H OPTION AVAILABLE ON -D ONLY)

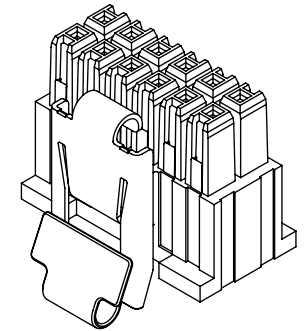
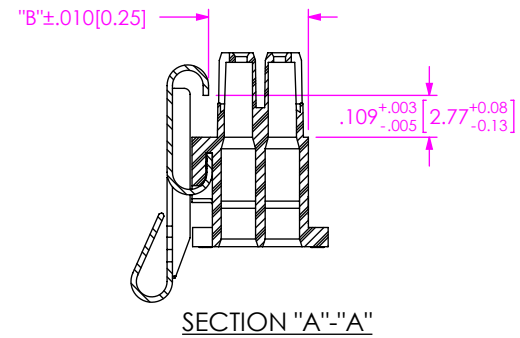
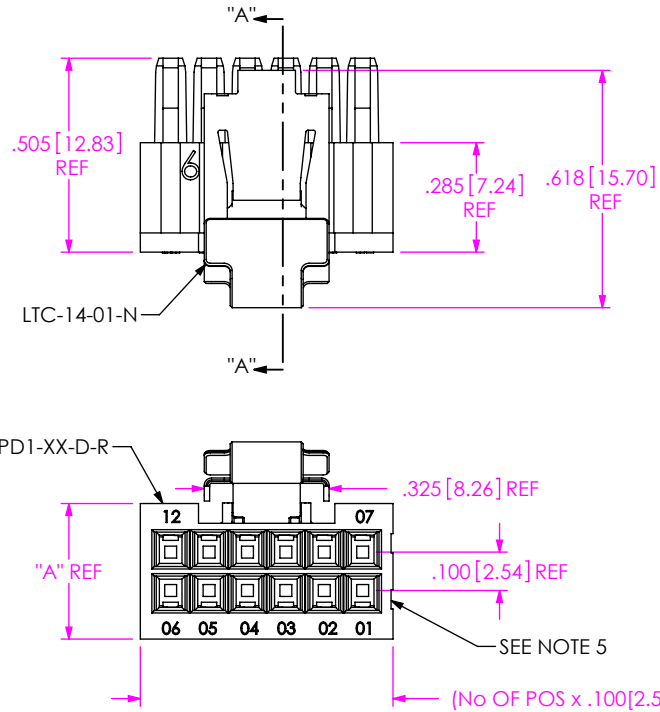
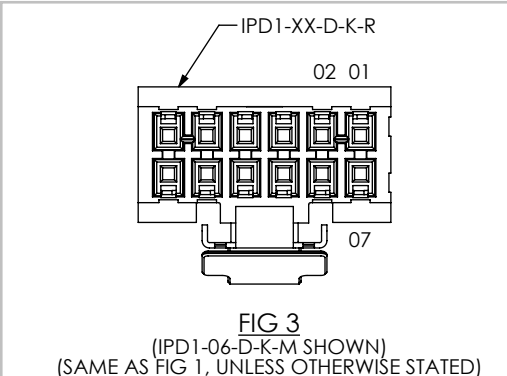
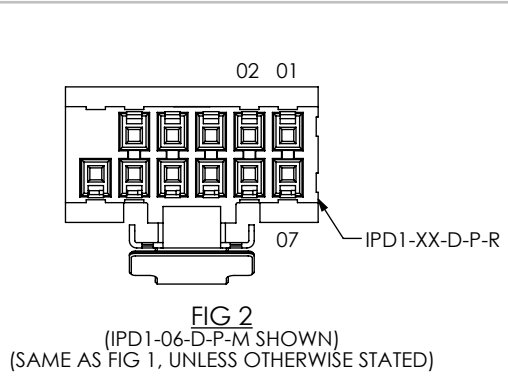


FIG 1  
(IPD1-06-D-M SHOWN)

TABLE 1				
ROW SPECS	"A"	"B"	"C"	"D"
-S	.300 [7.62]	.210 [5.33]	.213 [5.41]	.403 [10.24]
-D	.353 [8.97]	.260 [6.60]	.267 [6.77]	.451 [11.46]



UNLESS OTHERWISE SPECIFIED, DIMENSIONS ARE IN INCHES.  
TOLERANCES ARE:  
DECIMALS ANGLES  
.XX: ±.01 [.3] 2°  
.XXX: ±.005 [.13]  
.XXXX: ±.0020 [.051]

PROPRIETARY NOTE  
THIS DOCUMENT CONTAINS CONFIDENTIAL AND PROPRIETARY INFORMATION AND ALL DESIGN, MANUFACTURING, REPRODUCTION, USE, PATENT RIGHTS AND SALES RIGHTS ARE EXPRESSLY RESERVED BY SAMTEC, INC. THIS DOCUMENT SHALL NOT BE DISCLOSED, IN WHOLE OR PART, TO ANY UNAUTHORIZED PERSON OR ENTITY NOR REPRODUCED, TRANSFERRED OR INCORPORATED IN ANY OTHER PROJECT IN ANY MANNER WITHOUT THE EXPRESS WRITTEN CONSENT OF SAMTEC, INC.

MATERIAL: DO NOT SCALE DRAWING SHEET SCALE: 2:1  
INSULATOR: NYLON, UL 94 V2  
LATCH: NICKEL-PLATED BeCu, #25, 1/2 HT



520 PARK EAST BLVD, NEW ALBANY, IN 47150  
PHONE: 812-944-6733 FAX: 812-948-5047  
e-Mail: info@SAMTEC.com code 55322

DESCRIPTION:  
.100[2.54] DISCRETE WIRE INSULATOR & LATCH ASM

DWG. NO. IPD1-XX-X-XX-X

BY: T NEWTON 03/12/2008 SHEET 1 OF 3

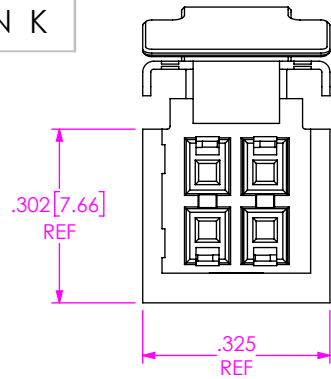
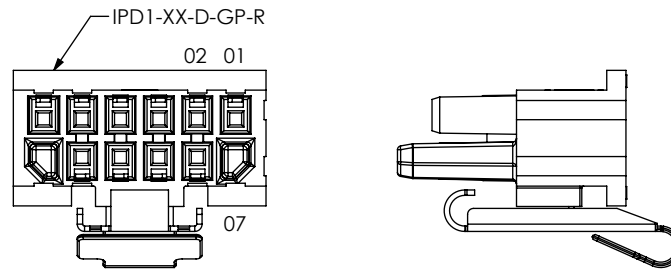


FIG 4  
(IPD1-02-D-M SHOWN)  
(SAME AS FIG 1, UNLESS OTHERWISE STATED)



.310 [7.87]  
REF

FIG 5  
(IPD1-06-D-GP-M SHOWN)  
(SAME AS FIG 1, UNLESS OTHERWISE STATED)

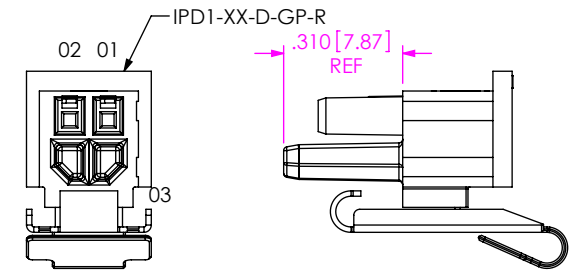


FIG 6  
(IPD1-02-D-GP-M SHOWN)  
(SAME AS FIG 4, UNLESS OTHERWISE STATED)

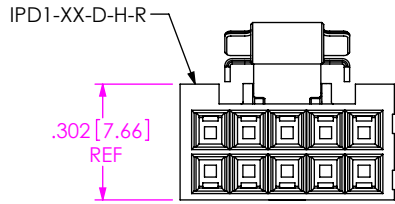
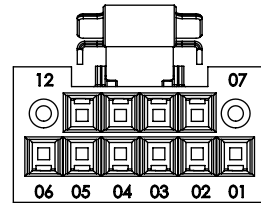
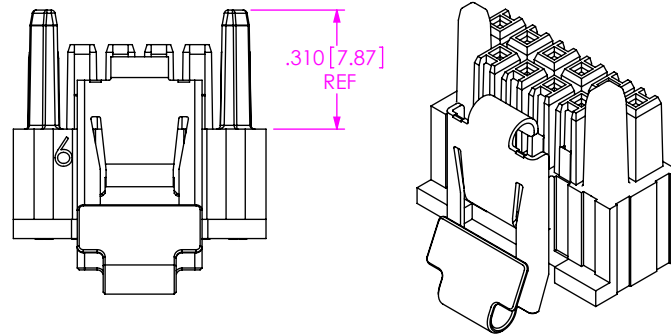
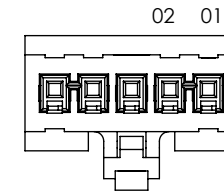
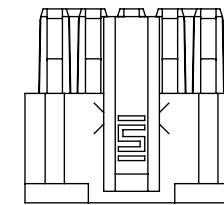


FIG 7  
(IPD1-05-D-H-M SHOWN)  
(SAME AS FIG 1, UNLESS OTHERWISE STATED)



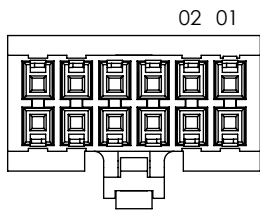
"C" REF  
(SEE TABLE 1, SHT 1)



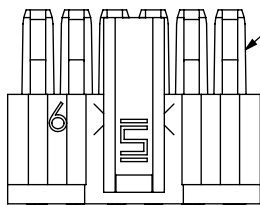
.105 [2.67]  
REF

"D" REF  
(SEE TABLE 1, SHT 1)

FIG 10  
(IPD1-05-S-K SHOWN)  
(SAME AS FIG 1, UNLESS OTHERWISE STATED)



"C" REF  
(SEE TABLE 1, SHT 1)



.105 [2.67] REF

"D" REF  
(SEE TABLE 1, SHT 1)

FIG 8  
(IPD1-06-D-K SHOWN)  
(SAME AS FIG 1, UNLESS OTHERWISE STATED)

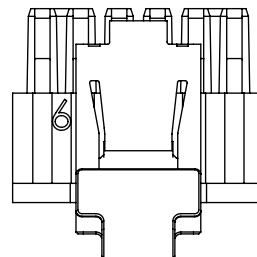
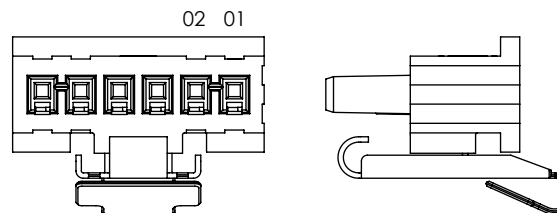


FIG 9  
(IPD1-06-S-K-M SHOWN)  
(SAME AS FIG 1, UNLESS OTHERWISE STATED)

PROPRIETARY NOTE

THIS DOCUMENT CONTAINS CONFIDENTIAL AND PROPRIETARY INFORMATION AND ALL DESIGN, MANUFACTURING, REPRODUCTION, USE, PATENT RIGHTS AND SALES RIGHTS ARE EXPRESSLY RESERVED BY SAMTEC, INC. THIS DOCUMENT SHALL NOT BE DISCLOSED, IN WHOLE OR PART, TO ANY UNAUTHORIZED PERSON OR ENTITY NOR REPRODUCED, TRANSFERRED OR INCORPORATED IN ANY OTHER PROJECT IN ANY MANNER WITHOUT THE EXPRESS WRITTEN CONSENT OF SAMTEC, INC.

DO NOT SCALE DRAWING

SHEET SCALE: 2:1



520 PARK EAST BLVD. NEW ALBANY, IN 47150  
PHONE: 812-944-6733 FAX: 812-948-5047  
e-Mail: info@SAMTEC.com code 55322

DESCRIPTION:  
.100[2.54] DISCRETE WIRE INSULATOR & LATCH ASM

DWG. NO. IPD1-XX-X-XX-X

BY: T NEWTON 03/12/2008 SHEET 2 OF 3

TABLE 2	
No OF POS	"E"
-02	.325 [8.26]
-03	.425 [10.80]

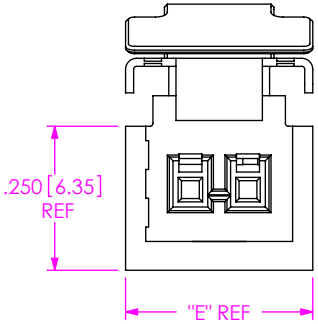
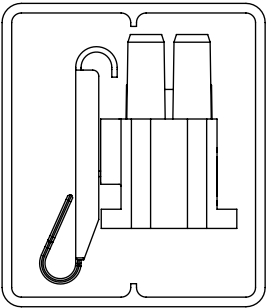
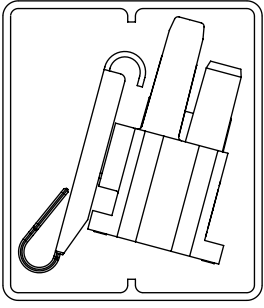


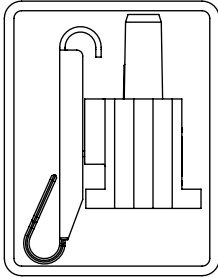
FIG 11  
(IPD1-02-S-K-M SHOWN)  
(SAME AS FIG 1, UNLESS OTHERWISE STATED)



-D ROW  
TUBE: PT-1-24-04-56  
PLUG: TP-25



-D-GP  
TUBE: PT-1-24-04-56  
PLUG: TP-25



-S ROW  
TUBE: PT-1-24-02-112  
PLUG: TP-28

PACKAGING VIEW  
(SEE NOTE 4)

**PROPRIETARY NOTE**

THIS DOCUMENT CONTAINS CONFIDENTIAL AND PROPRIETARY INFORMATION AND ALL DESIGN, MANUFACTURING, REPRODUCTION, USE, PATENT RIGHTS AND SALES RIGHTS ARE EXPRESSLY RESERVED BY SAMTEC, INC. THIS DOCUMENT SHALL NOT BE DISCLOSED, IN WHOLE OR PART, TO ANY UNAUTHORIZED PERSON OR ENTITY NOR REPRODUCED, TRANSFERRED OR INCORPORATED IN ANY OTHER PROJECT IN ANY MANNER WITHOUT THE EXPRESS WRITTEN CONSENT OF SAMTEC, INC.

DO NOT SCALE DRAWING

SHEET SCALE: 2.5:1



520 PARK EAST BLVD, NEW ALBANY, IN 47150  
PHONE: 812-944-6733 FAX: 812-948-5047  
e-Mail info@SAMTEC.com code 55322

DESCRIPTION:  
.100[2.54] DISCRETE WIRE INSULATOR & LATCH ASM

DWG. NO. IPD1-XX-X-XX-X

BY: T NEWTON 03/12/2008 SHEET 3 OF 3