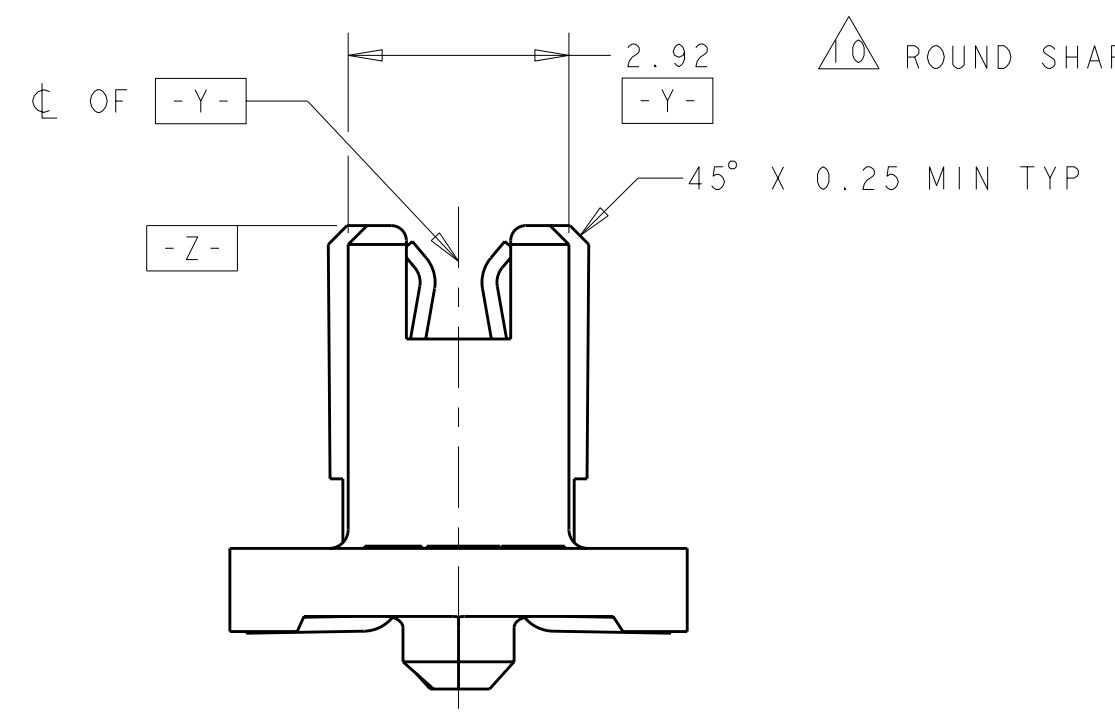
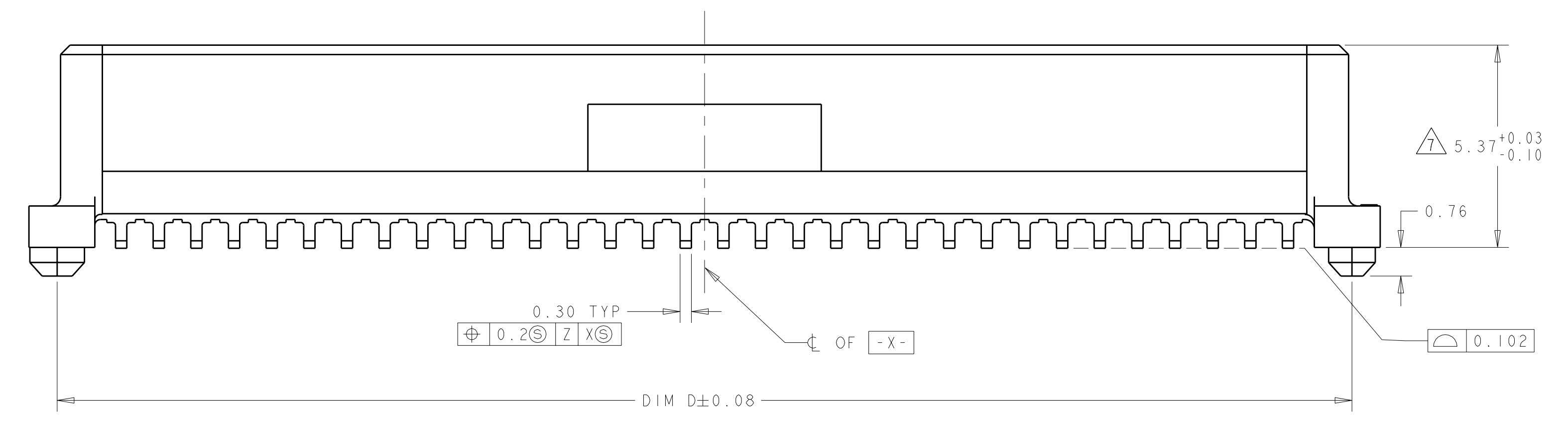
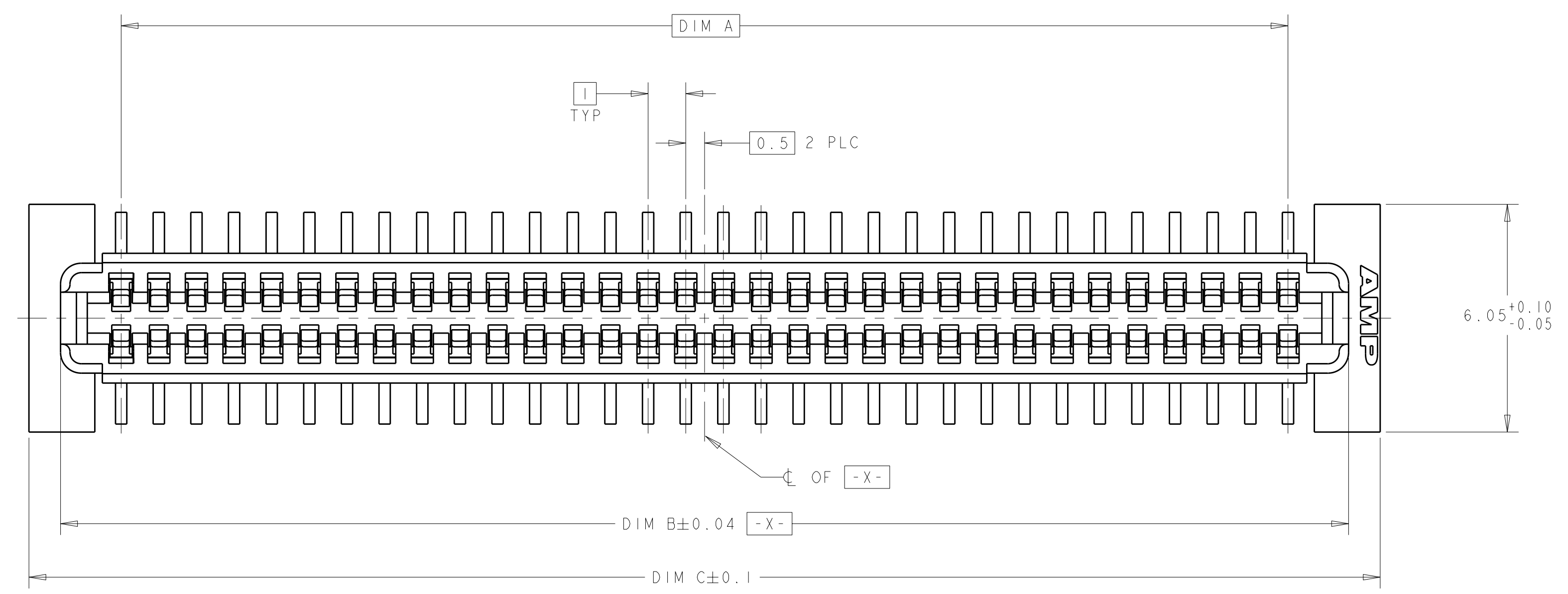
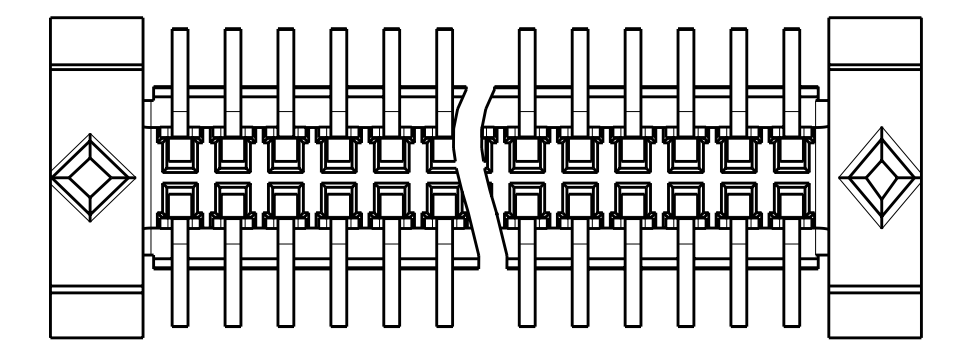


LOC	DIST	REV	DATE	BY	CHK	APP'D
AD	00	A2	11MAR2011	RK	HMR	

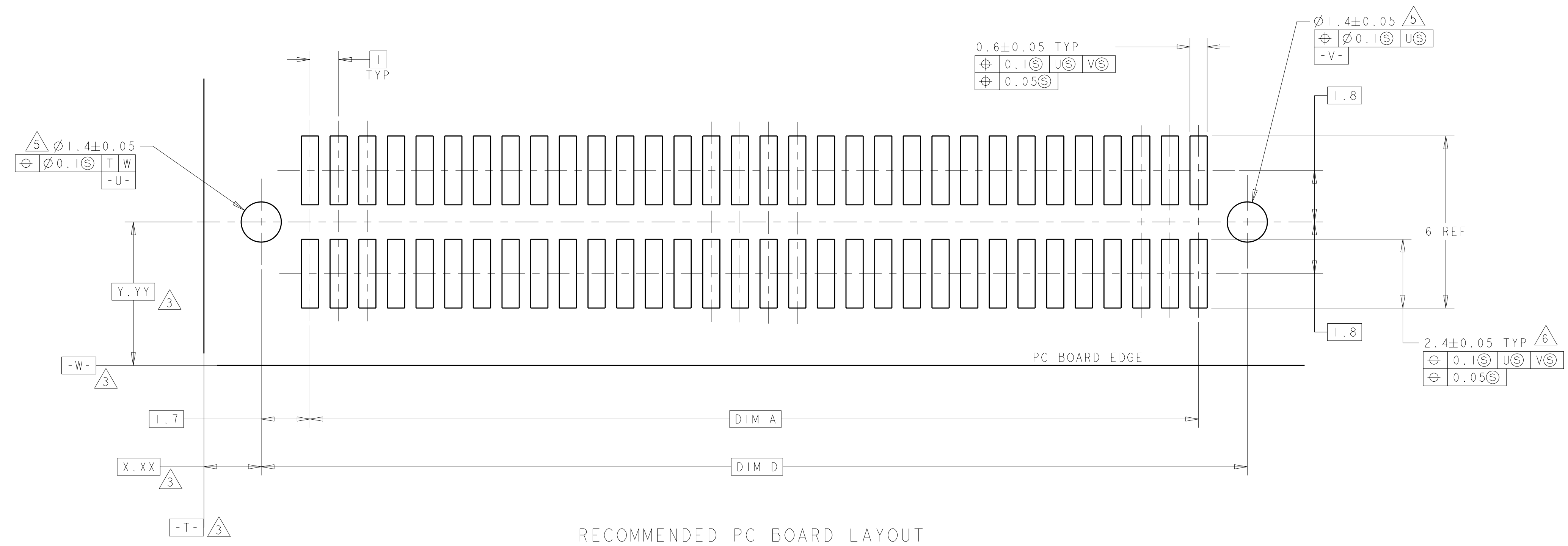
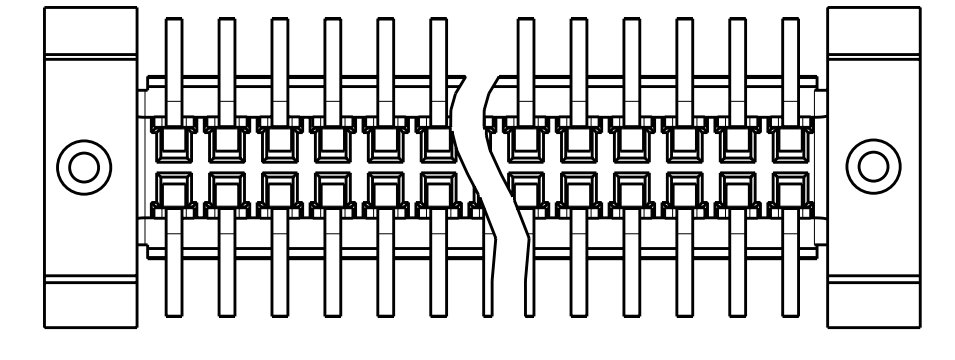


1. HOUSING MATERIAL: HIGH TEMPERATURE THERMOPLASTIC, COLOR: BLACK. CONTACT MATERIAL: PHOSPHOR BRONZE.
2. CONTACT FINISH: NICKEL UNDERPLATE ALL OVER, MATING SURFACES PLATED TO MEET PL1 PERFORMANCE REQUIREMENTS OF INDUSTRY SPECIFICATION EIA-700AAAAB, SOLDER TAILS PLATED TIN.
3. DATUM LOCATIONS AND BASIC DIMENSIONS TO BE ESTABLISHED BY THE CUSTOMER. CONSULT AMP ENGINEERING WHEN PLACING MULTIPLE CONNECTORS ON A PC BOARD.
4. PACKAGED IN TAPE ON REEL PER EIA-481.
5. 1.5 MIN DIAMETER HOLE SHOULD BE USED IF USING POST STYLE "A" AND PLACING ON PCB WITH VACUUM PLACEMENT EQUIPMENT.
6. SHORTER SOLDER LANDS MAY BE USED PER EIA 700AAAAB, HOWEVER 2.4 LENGTH ASSURES OPTIMUM SOLDER FILLET REGARDLESS OF MANUFACTURER OF CONNECTOR.
7. REFERRED TO AS DIM H = 5.30 ± 0.1 IN EIA700AAAAB SPECIFICATION.
8. CONTACT FINISH: 0.00381 MINIMUM MATTE TIN PER ASTM B 545 ON SOLDER AREA, 0.00127 MINIMUM GOLD PER ASTM B 488 ON MATING AREA, BOTH OVER 0.00127 MINIMUM NICKEL PER SAE-AMS-QQ-N-290 ON ENTIRE CONTACT.
9. SQUARE AND DIAMOND SHAPED POSTS
10. ROUND SHAPED POSTS

9 STYLE A POSTS



10 STYLE B POSTS



RECOMMENDED PC BOARD LAYOUT

POST STYLE	FINISH	DIM D	DIM C	DIM B	DIM A	STACK HGTS	POS	PART NO
10	8	44.4	45.9	44.22	41	8, 9, 10	84	3-5120521-2
10	8	34.4	35.9	34.22	31	8, 9, 10	64	3-5120521-1
10	2	44.4	45.9	44.22	41	8, 9, 10	84	2-5120521-2
10	2	34.4	35.9	34.22	31	8, 9, 10	64	2-5120521-1
9	8	44.4	45.9	44.22	41	8, 9, 10	84	1-5120521-2
9	8	34.4	35.9	34.22	31	8, 9, 10	64	1-5120521-1
9	2	44.4	45.9	44.22	41	8, 9, 10	84	5120521-2
9	2	34.4	35.9	34.22	31	8, 9, 10	64	5120521-1

THIS DRAWING IS A CONTROLLED DOCUMENT.

DIMENSIONS: mm  
 TOLERANCES UNLESS OTHERWISE SPECIFIED:  
 9 PLC ±  
 5 PLC ±0.03  
 4 PLC ±0.003  
 ANGLES ±0°-11'

MATERIAL: SEE TABLE  
 FINISH: SEE TABLE

DWG: B. CARBO 29SEP04  
 CHK: R. WERTZ 29SEP04  
 APP'D: R. WERTZ 29SEP04

PRODUCT SPEC: 502-1079  
 APPLICATION SPEC: 114-25045  
 WEIGHT: -

**STE** TE Connectivity  
 NAME: RECEPTACLE ASSY, 1.0mm FH(IEEE1386) CONNECTOR  
 SIZE: A100779  
 CAGE CODE: C=5120521  
 SCALE: 10:1 SHEET 1 OF 1 REV A2

# Mouser Electronics

Authorized Distributor

Click to View Pricing, Inventory, Delivery & Lifecycle Information:

[TE Connectivity:](#)

[5120521-1](#)