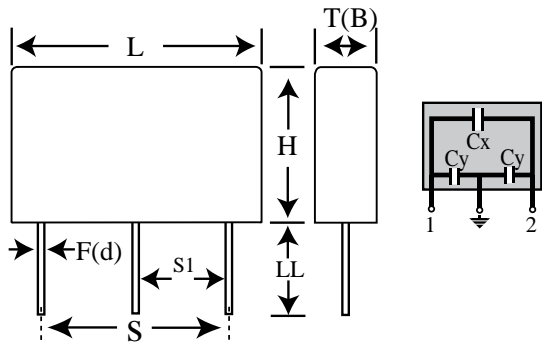


KEMET Part Number: PZB300MC11R30
(P300PL104M275AC222)

PZB300/P300, Film, Metallized Paper, Safety, 0.1 uF, 20%, 100°C, Lead Spacing = 20mm



Note: '()' correspond to the letters used in the product bulletin

General Information

| | |
|------------------------|--------------------------|
| Series: | PZB300/P300 |
| Dielectric: | Metallized Paper |
| Style: | Radial |
| Features: | EMI Safety |
| RoHS: | Yes |
| Lead: | 3 Leads |
| Qualifications: | ENEC, UL, cUL |
| AEC-Q200: | No |
| Construction: | Molded |
| Miscellaneous: | y2_cap_value= 0.0022 uF. |

Dimensions

| | |
|-----------|-----------------|
| L | 24mm MAX |
| H | 16mm MAX |
| T | 12.5mm MAX |
| S | 20mm +/-0.5mm |
| S1 | 10mm NOM |
| LL | 30mm +5mm |
| F | 0.8mm +/-0.05mm |

Specifications

| | |
|-------------------------------|--------------------|
| Capacitance: | 0.1 uF |
| Capacitance Tolerance: | 20% |
| Voltage AC: | 275 VAC |
| Temperature Range: | -40/+100°C |
| Rated Temperature: | 100°C |
| Dissipation Factor: | 1.3% 1kHz |
| Insulation Resistance: | 12 GOhms |
| Max dV/dt: | 600 V/us |
| Safety Class: | Delta EMI X2+Y2+Y2 |

Packaging Specifications

| | |
|----------------------------|-----------|
| Packaging: | Bulk, Bag |
| Packaging Quantity: | 150 |