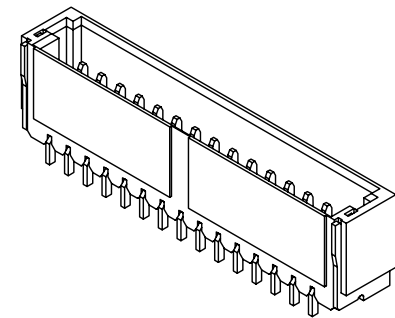
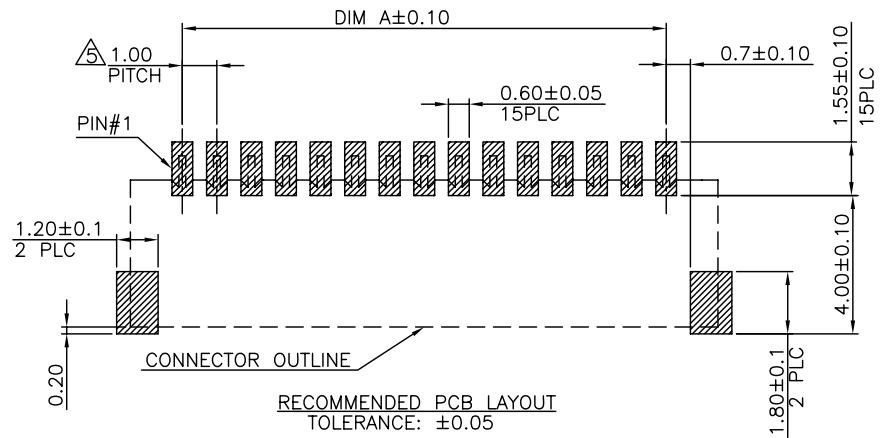
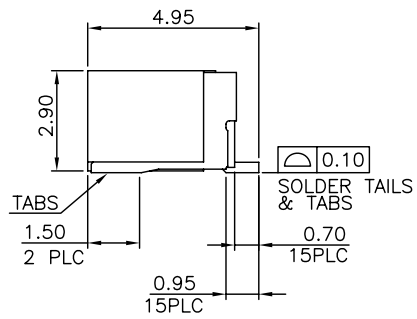
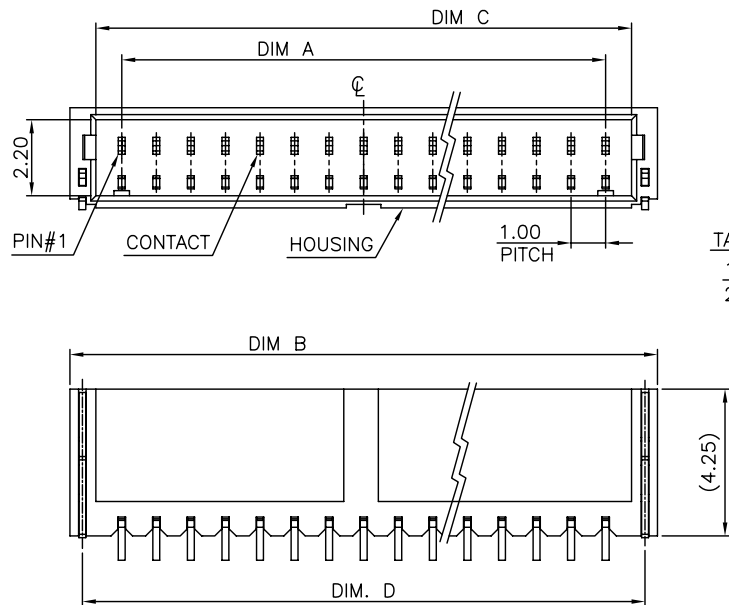


LOC		DIST		REVISIONS			DATE	DWN	APVD
P	LTR	DESCRIPTION			DATE	DWN	APVD		
DW		A	RELEASED			11AUG09	FY	WK	



NOTE:

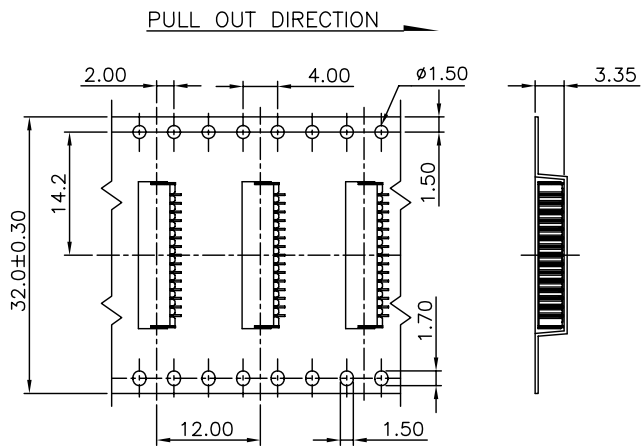
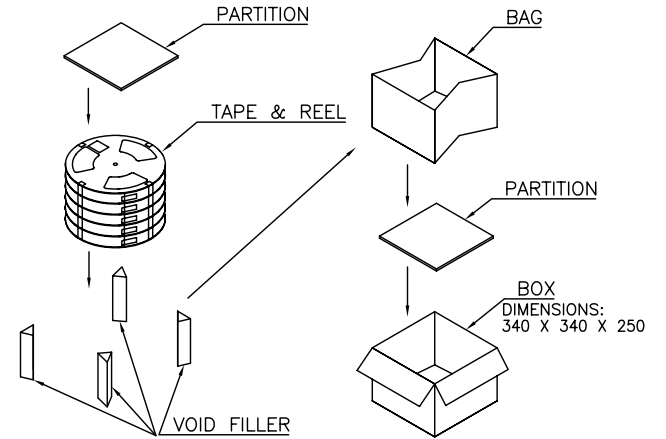
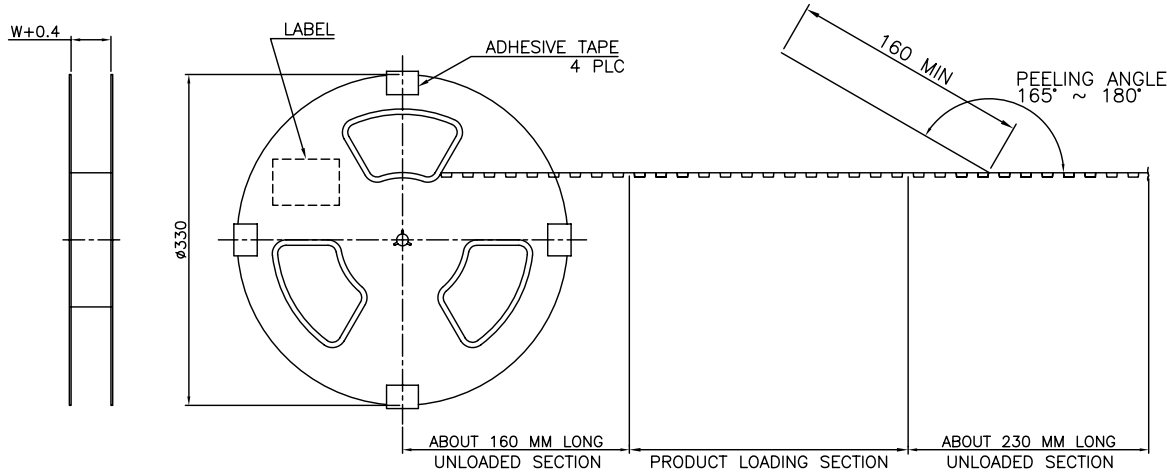
- MATERIAL:
HOUSING: LCP WITH 30% GF, UL 94V-0, COLOR: NATURAL.
CONTACTS: PHOSPHOR BRONZE, 0.2±0.05mm THICKNESS.
TABS: BRASS, 0.2±0.05mm THICKNESS.
- FINISH:
CONTACTS: 2.54µm [100µ"] MIN. MATTE-TIN OVER 1.27µm [50µ"] MIN. NICKEL PLATED.
TABS: 2.54µm [100µ"] MIN. MATTE-TIN OVER 1.27µm [50µ"] MIN. NICKEL PLATED.
- REFLOW SOLDER CAPABLE TO 260°C PER TE TEST SPEC. 109-201, CONDITION B.
- NO TE LOGO AND DATE CODE ON THE PRODUCT.
- NO ACCUMULATE TOLERANCE.
- LOW HALOGEN SPEC:
CHLORINE(Cl): 900ppm MAX.
BROMIN(Br): 900ppm MAX.
CHLORINE(Cl) & BROMIN(Br): 1500ppm MAX.

WEIGHT	DIMENSIONS				NO. OF CONTACTS	PART NUMBER
	D	C	B	A		
0.21g	16.6	15.50	17.30	14.00	15	1-2041191-5
0.08g	5.3	4.50	6.30	3.00	4	2041191-4
0.05g	3.3	2.50	4.30	1.00	2	2041191-2

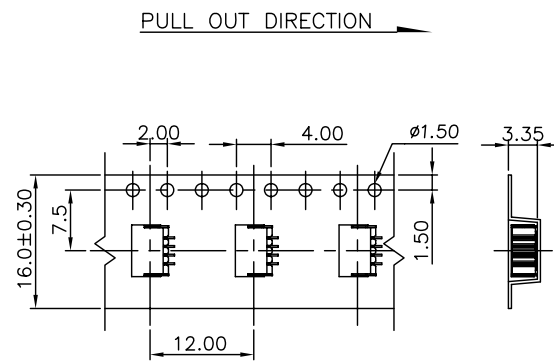
THIS DRAWING IS A CONTROLLED DOCUMENT.		DWN F. YANG 11AUG2009	Tyco Electronics Corporation Taipei, Taiwan													
DIMENSIONS: MM		CHK S. CHIEN 11AUG2009	Tyco Electronics													
TOLERANCES UNLESS OTHERWISE SPECIFIED:		APVD W. KODAMA 11AUG2009	NAME													
<table border="0"> <tr><td>0 PLC</td><td>± -</td></tr> <tr><td>1 PLC</td><td>± 0.3</td></tr> <tr><td>2 PLC</td><td>± 0.2</td></tr> <tr><td>3 PLC</td><td>± 0.15</td></tr> <tr><td>4 PLC</td><td>± -</td></tr> <tr><td>ANGLES</td><td>± 3°</td></tr> </table>		0 PLC	± -	1 PLC	± 0.3	2 PLC	± 0.2	3 PLC	± 0.15	4 PLC	± -	ANGLES	± 3°	PRODUCT SPEC 108-57264		WIRE TO BOARD CONNECTOR, 1.0 PITCH, SIDE ENTRY, SINGLE ROW, SMT TYPE
0 PLC	± -															
1 PLC	± 0.3															
2 PLC	± 0.2															
3 PLC	± 0.15															
4 PLC	± -															
ANGLES	± 3°															
MATERIAL SEE NOTE		APPLICATION SPEC		RESTRICTED TO												
FINISH SEE NOTE		WEIGHT SEE TABLE		SCALE												
		CUSTOMER DRAWING		SHEET 1 OF 2												
		SIZE A3 CAGE CODE 00779 C=2041191		REV A												

THIS DRAWING IS UNPUBLISHED. RELEASED FOR PUBLICATION AUG, 2006.
 © COPYRIGHT 2009 BY TYCO ELECTRONICS CORPORATION. ALL RIGHTS RESERVED.

LOC	DIST	REVISIONS			
P	LTR	DESCRIPTION	DATE	DWN	APVD
DW		SEE SHEET 1.			



CARRIER FOR 15PIN



CARRIER FOR 2-4PIN

PCS/ REEL	REELS/ BOX	QUANTITY (PCS)	G/W (kg)	N/W (kg)	NO. OF CONTACTS
1500	6	9000	5.48	1.89	15
1500	10	15000	5.60	1.20	4
1500	10	15000	5.15	0.90	2

THIS DRAWING IS A CONTROLLED DOCUMENT.

Tyco Electronics Tyco Electronics Corporation
Taipei, Taiwan

NAME: WIRE TO BOARD CONNECTOR, 1.0 PITCH, SIDE ENTRY, SINGLE ROW, SMT TYPE

SIZE: A3 CAGE CODE: 00779 DRAWING NO: G=2041191

RESTRICTED TO: []

SCALE: [] SHEET: 2 OF 2 REV: A

CUSTOMER DRAWING

Mouser Electronics

Authorized Distributor

Click to View Pricing, Inventory, Delivery & Lifecycle Information:

[TE Connectivity:](#)

[1-2041191-5](#)