

4

3

2

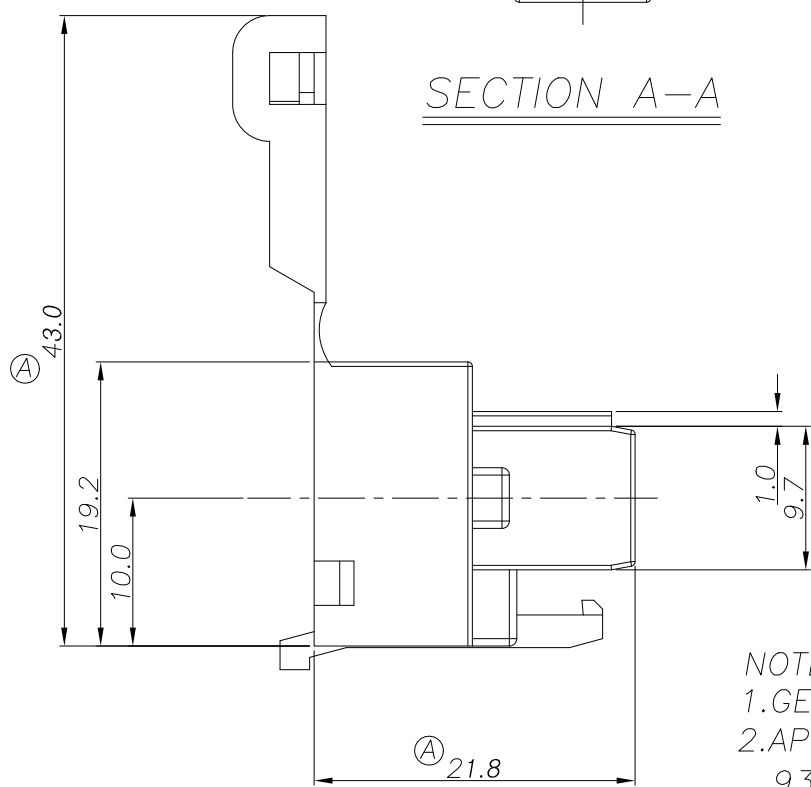
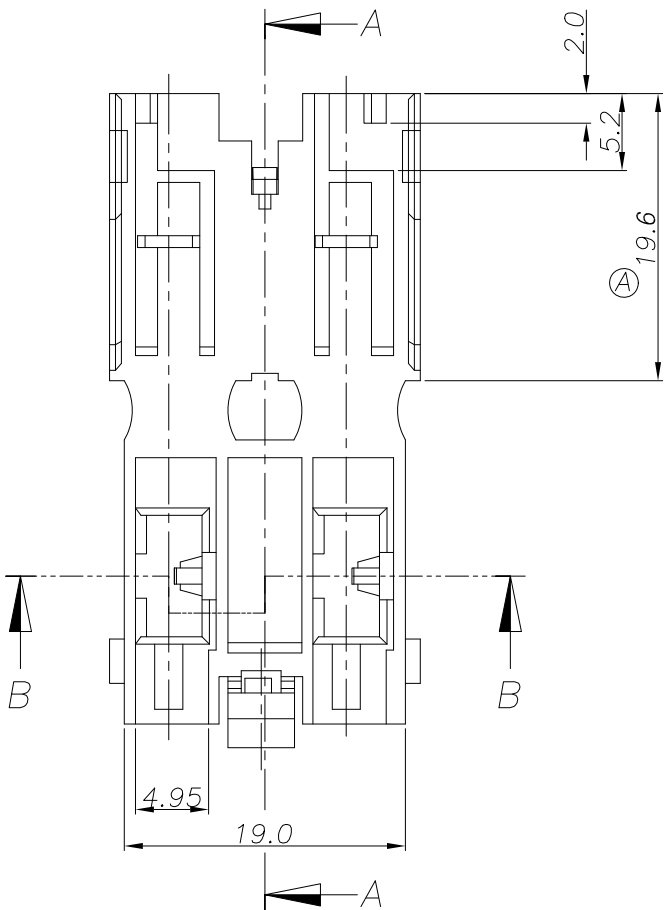
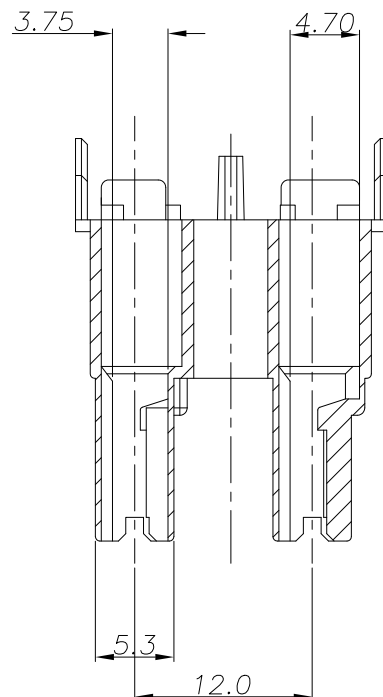
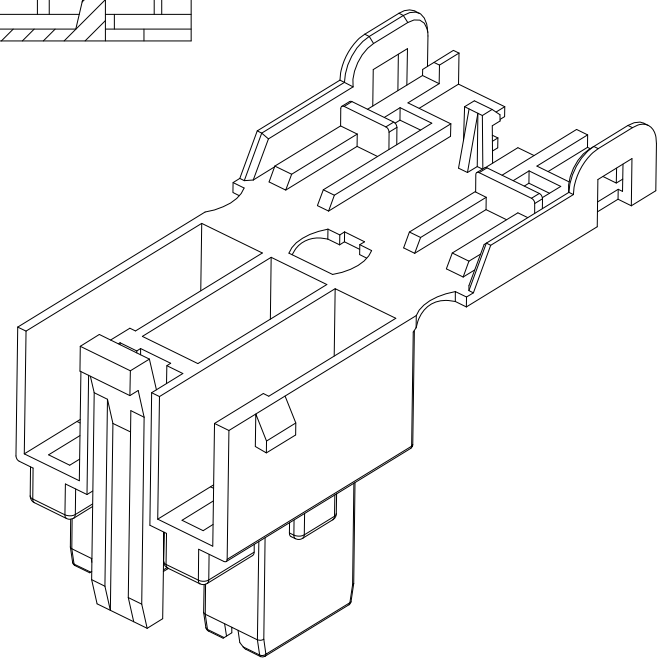
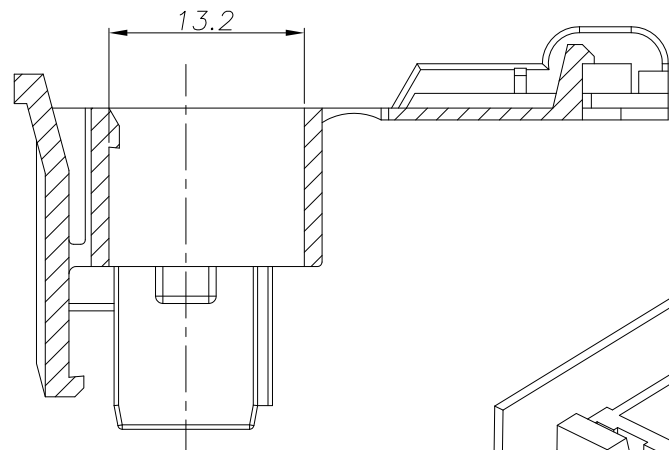
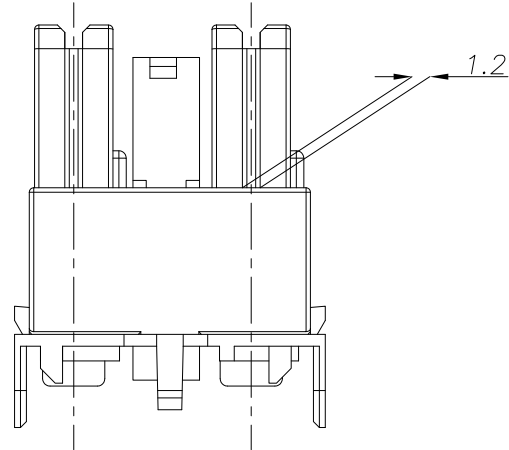
1

THIS DRAWING IS UNPUBLISHED.

RELEASED FOR PUBLICATION

© COPYRIGHT BY TYCO ELECTRONICS CORPORATION. ALL RIGHTS RESERVED.

LOC	DIST	REVISIONS					
		P	LTR	DESCRIPTION	DATE	DWN	APVD
DS	-	0		RELEASED	01.DEC.'04	SC	CS
		A		REVISED (ECR-08-030916)	05DEC.'08	BH	JK



NOTES
 1.GENERAL TOLERANCES : ±0.25, ±1°
 2.APPLICABLE CONTACT P/N : 936603-1
 936604-1,936605-1.

①	P/N	MATERIAL	COLOR
①	1743206-2	6/6 NYLON,V-0	BLACK
①	1743206-1	6/6 NYLON,V-0	NATURAL

THIS DRAWING IS A CONTROLLED DOCUMENT FOR TYCO ELECTRONICS CORPORATION
 IT IS SUBJECT TO CHANGE AND THE CONTROLLING ENGINEERING ORGANIZATION
 SHOULD BE CONTACTED FOR THE LATEST REVISION.

DIMENSIONS: MM	TOLERANCES UNLESS OTHERWISE SPECIFIED:
	0 PLC ± 1 PLC ± 2 PLC ± 3 PLC ± 4 PLC ± ANGLES ±
MATERIAL	FINISH
-	-

DWN BH CHO	AMP KOREA. Kyungsan, Korea
CHK BW KANG	
APVD JK SONG	NAME 250 FLAG POSITIVE LOCK 2P HSG(Pitch=12mm)
PRODUCT SPEC 108-61105	
APPLICATION SPEC -	SIZE A3
WEIGHT -	CAGE CODE 00779
	DRAWING NO 1743206
	RESTRICTED TO -
CUSTOMER DRAWING	SCALE 2/1 SHEET 1 OF 1 REV A

Mouser Electronics

Authorized Distributor

Click to View Pricing, Inventory, Delivery & Lifecycle Information:

[TE Connectivity:](#)

[1743206-1](#)