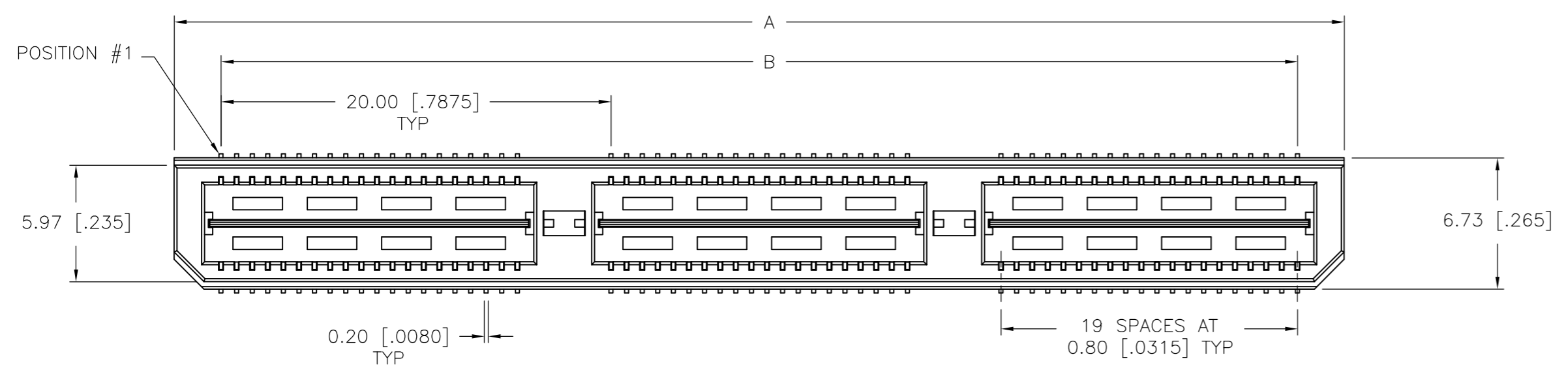
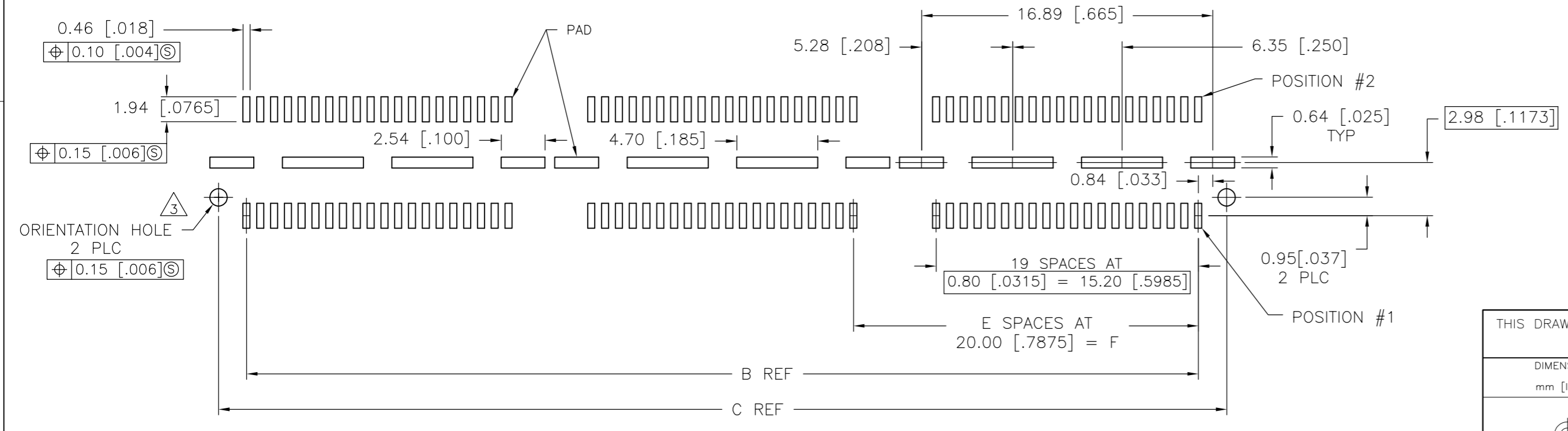
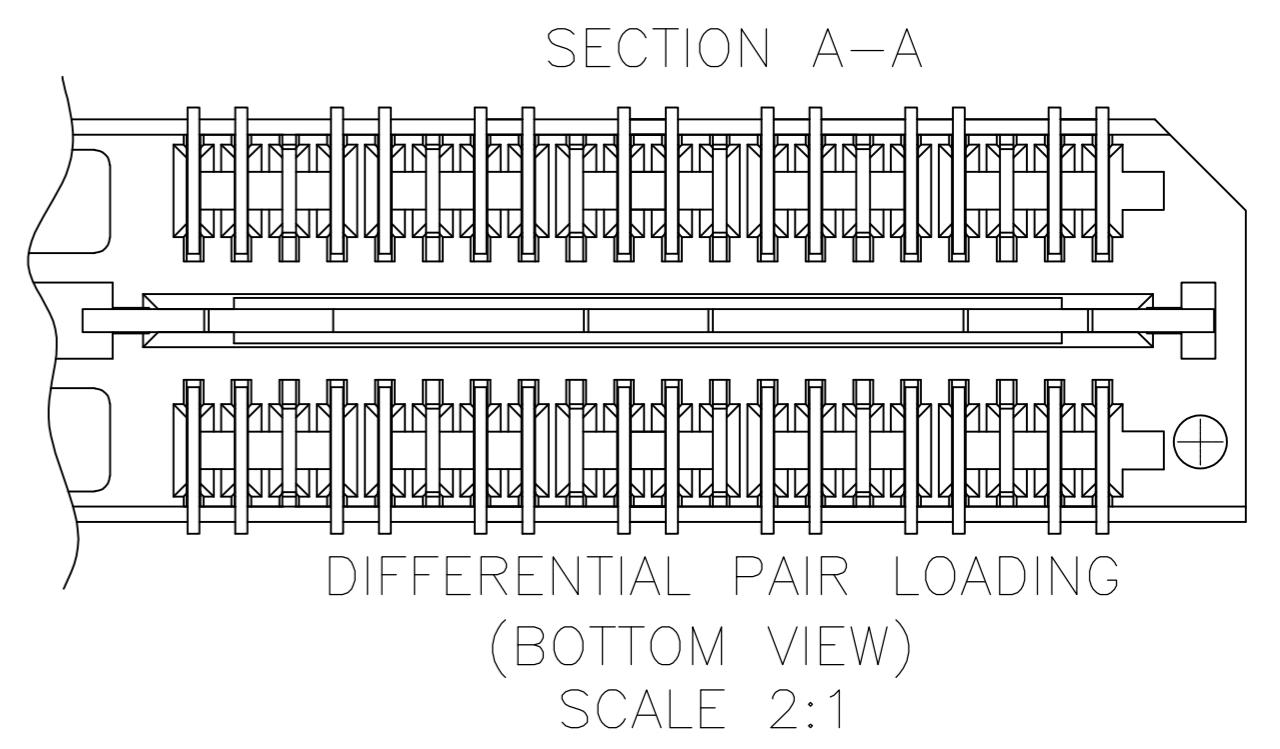
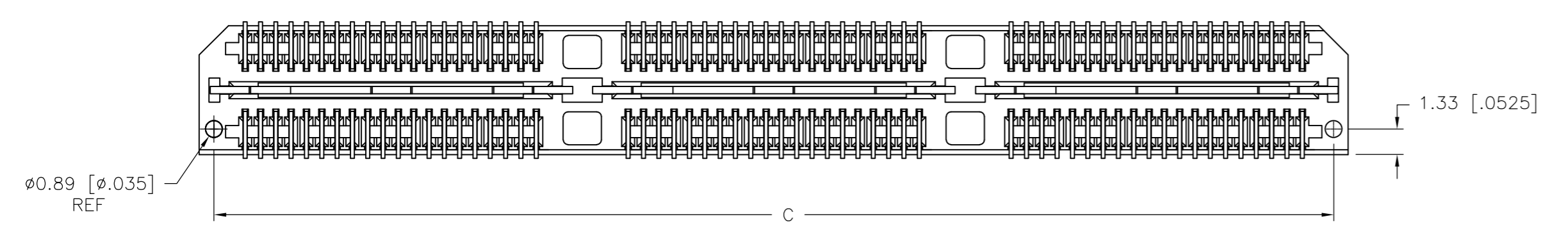
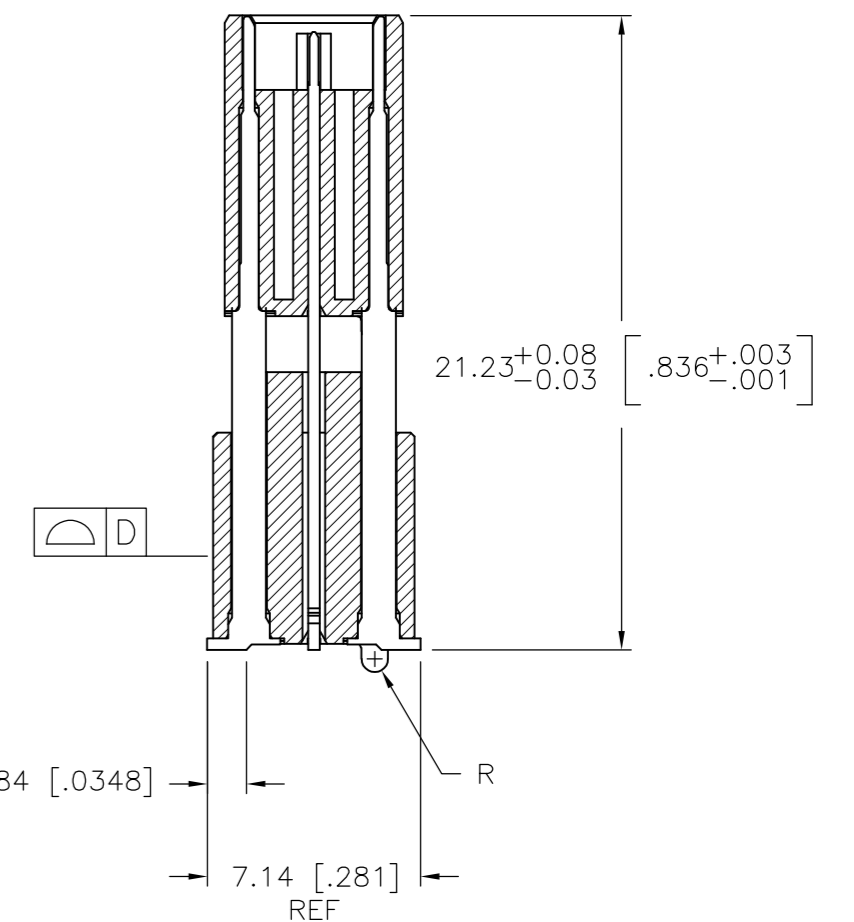
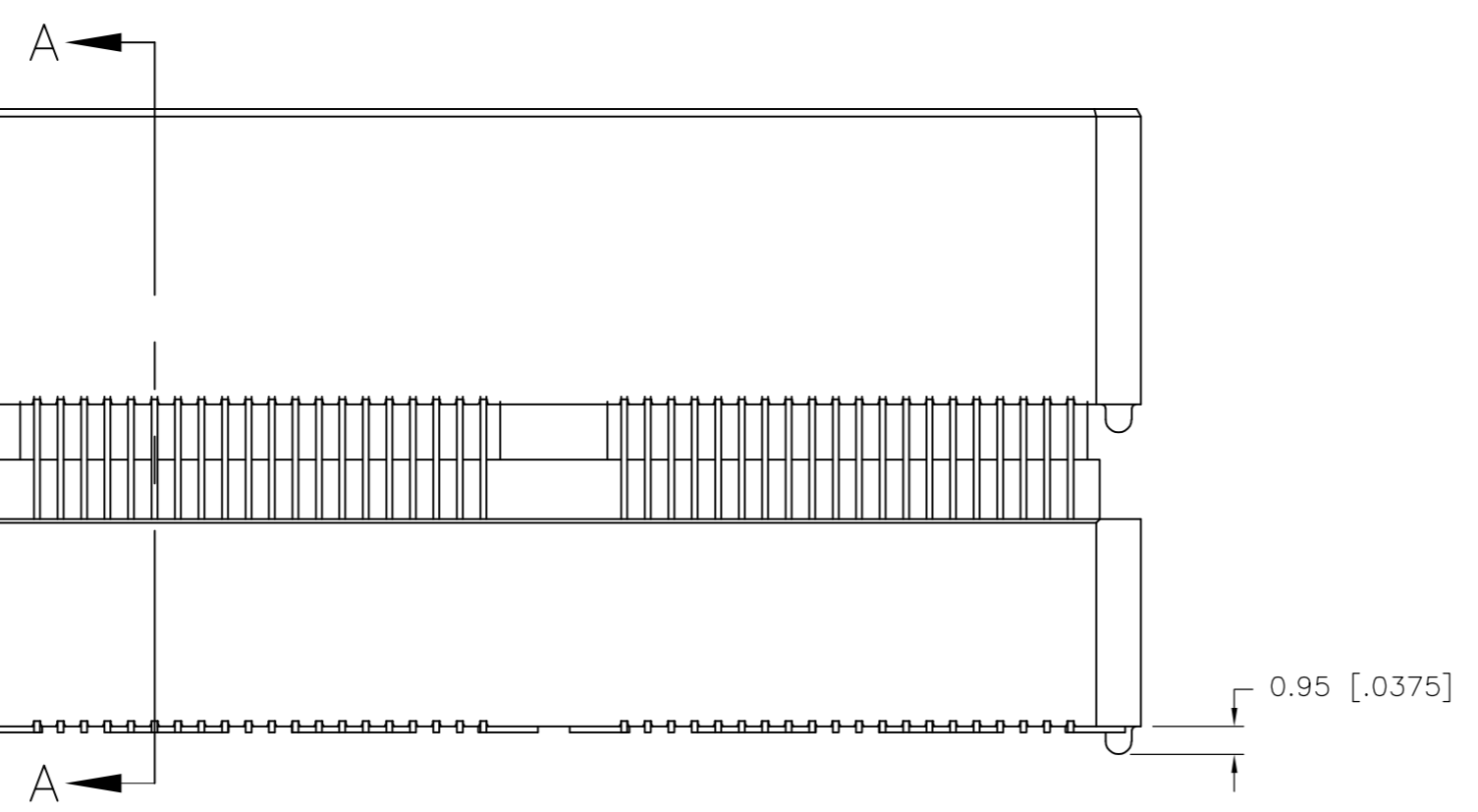


THIS DRAWING IS UNPUBLISHED. RELEASED FOR PUBLICATION  
 © COPYRIGHT - By - ALL RIGHTS RESERVED.

| LOC |     | DIST        |                           | REVISIONS |     |      |  |
|-----|-----|-------------|---------------------------|-----------|-----|------|--|
| P   | LTR | DESCRIPTION |                           | DATE      | DWN | APVD |  |
| AD  | 00  | K1          | REVISED PER ECO-12-013249 | 25JUL12   | KH  | MH   |  |



- 1 HOUSING: LCP, BLACK.  
CONTACT & GROUND PLANE: PHOS BRONZE.
- 2 CONTACT PLATING: SELECT 0.25 MICROMETERS (.000010 IN.) MIN. GOLD.
- 3 FOR STANDARD APPLICATIONS, ORIENTATION HOLE TO BE  $\phi 1.02$  [ $\phi .040$ ].

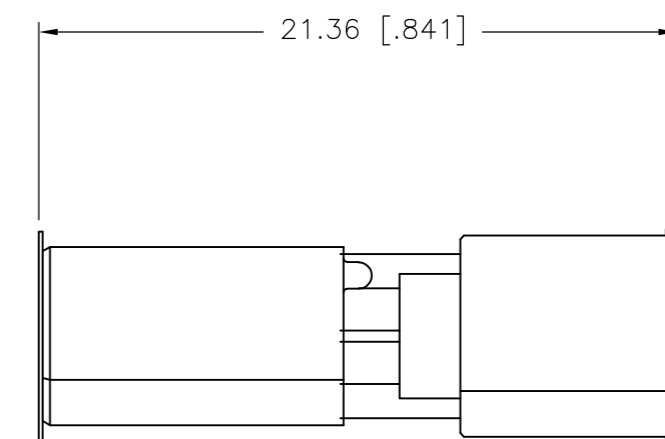
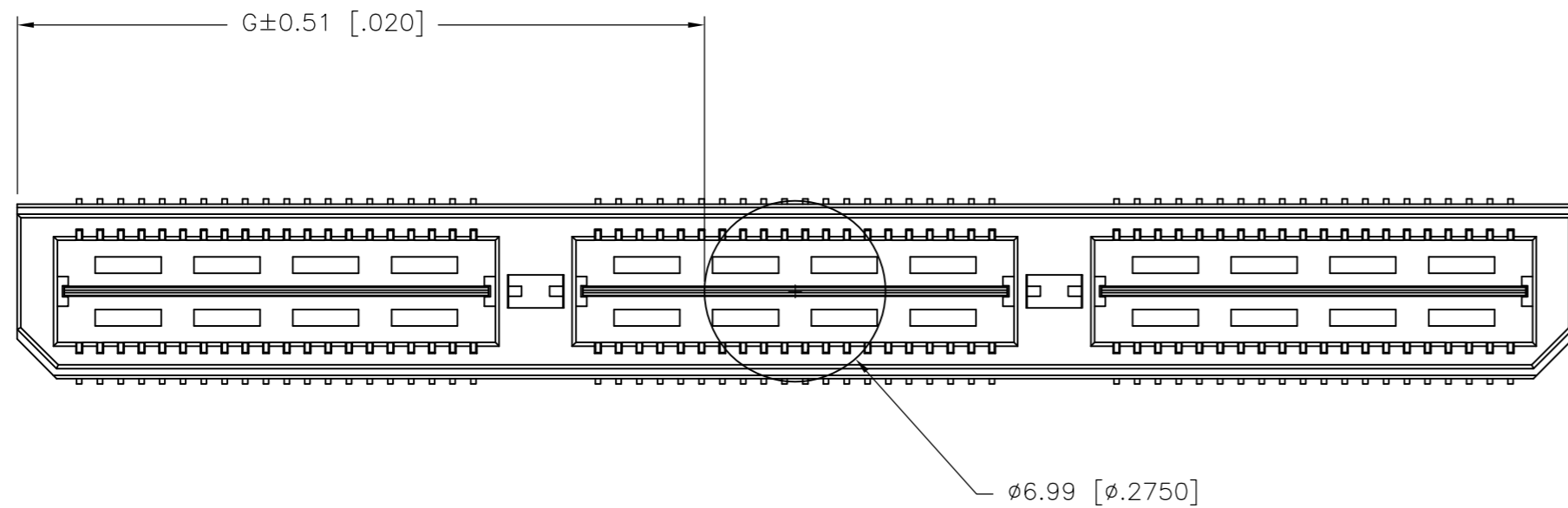


RECOMMENDED PC BOARD LAYOUT  
(VIEWED FROM CONNECTOR SIDE)

|   |  |                                  |                    |   |                         |
|---|--|----------------------------------|--------------------|---|-------------------------|
| THIS DRAWING IS A CONTROLLED DOCUMENT.  |  | DWN<br>B.CARBO<br>30JAN03        |                    | TE Connectivity   |                         |
| DIMENSIONS:<br>mm [INCHES]  |  | CHK<br>D.DIXON<br>30JAN03        |                    | NAME<br>HEADER ASSEMBLY, 22.0MM [.866] VERTICAL,<br>0.80MM CL,<br>MICTOR SB |                         |
| TOLERANCES UNLESS OTHERWISE SPECIFIED:  |  | APVD<br>D.DIXON<br>30JAN03       | SIZE<br>A2         | CAGE CODE<br>00779  | DRAWING NO<br>C=1658018 |
| 0 PLC ± -<br>1 PLC ± 0.3[.01]<br>2 PLC ± 0.13[.005]<br>3 PLC ± 0.051[.0020]<br>4 PLC ± -<br>ANGLES ± 2° |  | PRODUCT SPEC<br>APPLICATION SPEC | RESTRICTED TO<br>- | SCALE<br>3:1  |                         |
| MATERIAL<br>1   |  | FINISH<br>2                      | WEIGHT<br>-        | SHEET<br>1 OF 2   | REV<br>K1               |
| CUSTOMER DRAWING  |  |                                  |                    |   |                         |

THIS DRAWING IS UNPUBLISHED. RELEASED FOR PUBLICATION  
 © COPYRIGHT - By - ALL RIGHTS RESERVED.

| LOC |     | DIST        |   | REVISIONS   |     |      |  |
|-----|-----|-------------|---|-------------|-----|------|--|
| P   | LTR | DESCRIPTION |   | DATE        | DWN | APVD |  |
| AD  | 00  | -           | - | SEE SHEET 1 | -   | -    |  |



| 46.51(1.831) | 80.00(3.150) | 4 | 0.152(.0060) | 98.50(3.748) | 95.20(3.748) | 100.00(3.937) | YES                  | TRAY           | YES         | 140       | 3-1658018-5 |
|--------------|--------------|---|--------------|--------------|--------------|---------------|----------------------|----------------|-------------|-----------|-------------|
| 36.53(1.438) | 60.00(2.362) | 3 | 0.152(.0060) | 78.49(3.090) | 75.20(2.961) | 80.00(3.150)  | YES                  | TRAY           | YES         | 112       | 3-1658018-4 |
| 26.52(1.044) | 40.00(1.575) | 2 | 0.102(.0040) | 58.50(2.303) | 55.20(2.173) | 60.00(2.362)  | YES                  | TRAY           | YES         | 84        | 3-1658018-3 |
| 16.51(.650)  | 20.00(.7874) | 1 | 0.102(.0040) | 38.48(1.515) | 35.20(1.386) | 40.00(1.575)  | YES                  | TRAY           | YES         | 56        | 3-1658018-2 |
| 6.50(.256)   | 0(.000)      | 0 | 0.102(.0040) | 18.49(.728)  | 15.20(.598)  | 20.00(.787)   | YES                  | TRAY           | YES         | 28        | 3-1658018-1 |
| 46.51(1.831) | 80.00(3.150) | 4 | 0.152(.0060) | 98.50(3.748) | 95.20(3.748) | 100.00(3.937) | YES                  | TRAY           | NO          | 200       | 2-1658018-5 |
| 36.53(1.438) | 60.00(2.362) | 3 | 0.152(.0060) | 78.49(3.090) | 75.20(2.961) | 80.00(3.150)  | YES                  | TRAY           | NO          | 160       | 2-1658018-4 |
| 26.52(1.044) | 40.00(1.575) | 2 | 0.102(.0040) | 58.50(2.303) | 55.20(2.173) | 60.00(2.362)  | YES                  | TRAY           | NO          | 120       | 2-1658018-3 |
| 16.51(.650)  | 20.00(.7874) | 1 | 0.102(.0040) | 38.48(1.515) | 35.20(1.386) | 40.00(1.575)  | YES                  | TRAY           | NO          | 80        | 2-1658018-2 |
| 6.50(.256)   | 0(.000)      | 0 | 0.102(.0040) | 18.49(.728)  | 15.20(.598)  | 20.00(.787)   | YES                  | TRAY           | NO          | 40        | 2-1658018-1 |
| -            | 80.00(3.150) | 4 | 0.152(.0060) | 98.50(3.748) | 95.20(3.748) | 100.00(3.937) | NO                   | TRAY           | YES         | 140       | 1-1658018-5 |
| -            | 60.00(2.362) | 3 | 0.152(.0060) | 78.49(3.090) | 75.20(2.961) | 80.00(3.150)  | NO                   | TRAY           | YES         | 112       | 1-1658018-4 |
| -            | 40.00(1.575) | 2 | 0.102(.0040) | 58.50(2.303) | 55.20(2.173) | 60.00(2.362)  | NO                   | TRAY           | YES         | 84        | 1-1658018-3 |
| -            | 20.00(.7874) | 1 | 0.102(.0040) | 38.48(1.515) | 35.20(1.386) | 40.00(1.575)  | NO                   | TRAY           | YES         | 56        | 1-1658018-2 |
| -            | 0(.000)      | 0 | 0.102(.0040) | 18.49(.728)  | 15.20(.598)  | 20.00(.787)   | NO                   | TRAY           | YES         | 28        | 1-1658018-1 |
| -            | 80.00(3.150) | 4 | 0.152(.0060) | 98.50(3.748) | 95.20(3.748) | 100.00(3.937) | NO                   | TRAY           | NO          | 200       | 1658018-5   |
| -            | 60.00(2.362) | 3 | 0.152(.0060) | 78.49(3.090) | 75.20(2.961) | 80.00(3.150)  | NO                   | TRAY           | NO          | 160       | 1658018-4   |
| -            | 40.00(1.575) | 2 | 0.102(.0040) | 58.50(2.303) | 55.20(2.173) | 60.00(2.362)  | NO                   | TRAY           | NO          | 120       | 1658018-3   |
| -            | 20.00(.7874) | 1 | 0.102(.0040) | 38.48(1.515) | 35.20(1.386) | 40.00(1.575)  | NO                   | TRAY           | NO          | 80        | 1658018-2   |
| -            | 0(.000)      | 0 | 0.102(.0040) | 18.49(.728)  | 15.20(.598)  | 20.00(.787)   | NO                   | TRAY           | NO          | 40        | 1658018-1   |
| G            | F            | E | D            | C            | B            | A             | POLYIMIDE FILM PAD ▲ | PACKAGING TYPE | DIFF. PAIRS | NO OF POS | PART NUMBER |

|  |  |   |   |                    |
|--|--|---|---|--------------------|
| THIS DRAWING IS A CONTROLLED DOCUMENT. |  | DWN<br>B.CARBO<br>30JAN03   |   |                    |
|  |  | CHK<br>D.DIXON<br>30JAN03   |   |                    |
| DIMENSIONS:<br>mm [INCHES]             |  | TOLERANCES UNLESS OTHERWISE SPECIFIED:  | NAME<br>HEADER ASSEMBLY, 22.0MM [.866] VERTICAL,<br>0.80MM CL,<br>MICTOR SB |                    |
|  |  | 0 PLC ± -<br>1 PLC ± 0.3[.01]<br>2 PLC ± 0.13[.005]<br>3 PLC ± 0.051[.0020]<br>4 PLC ± -<br>ANGLES ± 2° | APVD<br>D.DIXON<br>30JAN03<br>PRODUCT SPEC                                  |                    |
| MATERIAL<br>SEE SHEET 1                |  | FINISH<br>SEE SHEET 1   | APPLICATION SPEC<br>-<br>WEIGHT<br>-<br>SCALE<br>A2 00779 C=1658018         |                    |
|  |  | CUSTOMER DRAWING  |   | RESTRICTED TO<br>- |
|  |  | SCALE 3:1   |   | SHEET 2 OF 2       |
|  |  |   |   | REV K1             |

# Mouser Electronics

Authorized Distributor

Click to View Pricing, Inventory, Delivery & Lifecycle Information:

[TE Connectivity:](#)

[1658018-1](#)