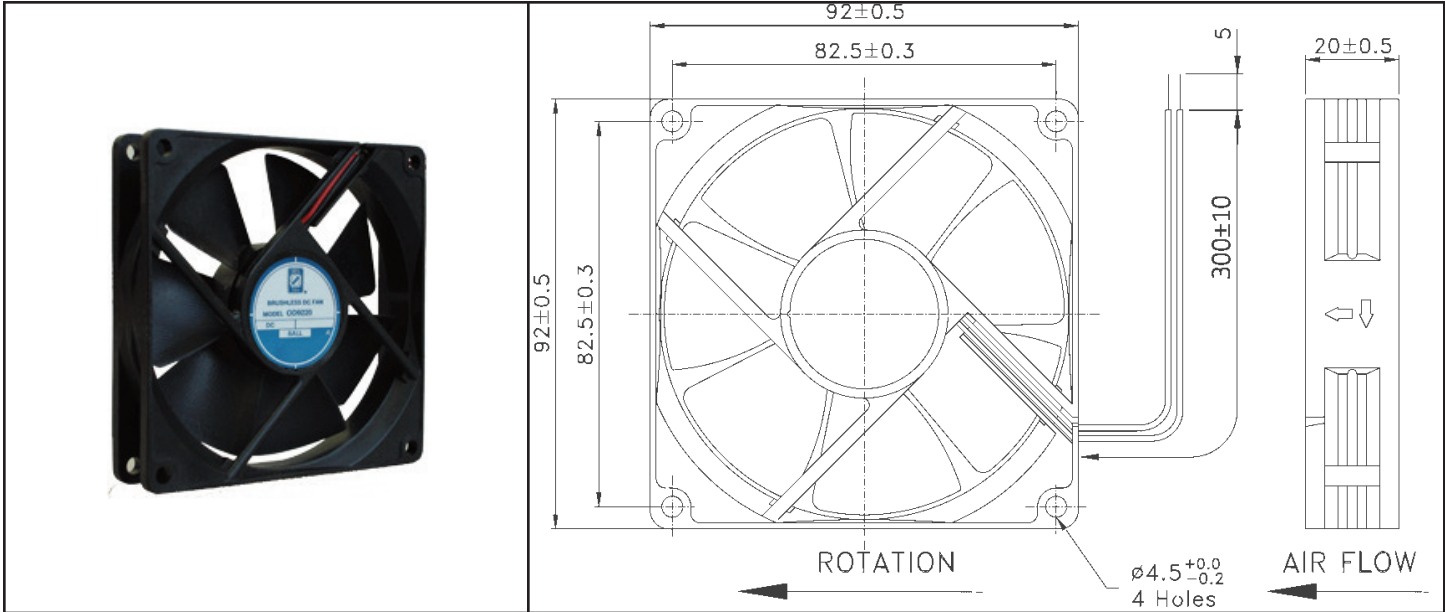


OD9220 Series



DC Fan - 12, 24V
92x20mm (3.6"x 0.79")



Frame & Impeller	PBT, UL94V-0 plastic	Available Options Tachometer - Open Collector Locked Rotor Alarm Weight: ~0.19 lbs Life Expectancy (L10) 65,000 hours (45C) m1	
Connection	2x Lead wires 24AWG		
Motor	Brushless DC, auto restart, polarity protected		
Bearing System	Dual ball bearing		
Insulation Resistance	10M ohm between leadwire and frame (500VDC)		
Dielectric Strength	1 minute at 500 VAC, max leakage < 500 MicroAmp		
Temperature Range	-10C ~ 70C		
Storage Temperature	-40C ~ +80C		

Model Number	Speed (RPM)	Airflow (CFM)	Noise (dB)	Volts DC	Input Power (Watts)	Rated Current (Amps)	Max. Static Pressure (H ₂ O)
OD9220-12H*	2700	32	36.7	12	8~16	0.25	0.13
OD9220-12M*	2400	28	31	12	8~16	0.16	0.11
OD9220-24H*	2700	32	36.7	24	22~28	0.14	0.13
OD9220-24M*	2400	28	31	24	22~28	0.12	0.11

* Indicate "B" to specify Ball bearing or "S" to specify Sleeve bearing

Mouser Electronics

Authorized Distributor

Click to View Pricing, Inventory, Delivery & Lifecycle Information:

Orion Fans:

[OD9220-24HB](#) [OD9220-24MS](#) [OD9220-24MB](#) [OD9220-12HB](#) [OD9220-12HS](#) [OD9220-12MS](#) [OD9220-12MB](#)
[OD9220-12HB01A](#) [OD9220-24HB01A](#) [OD9220-24HS](#) [OD9220-24LS](#)