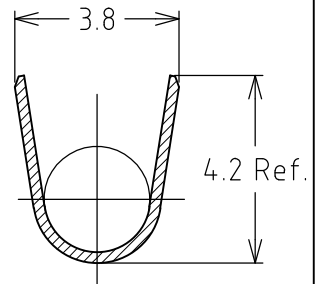
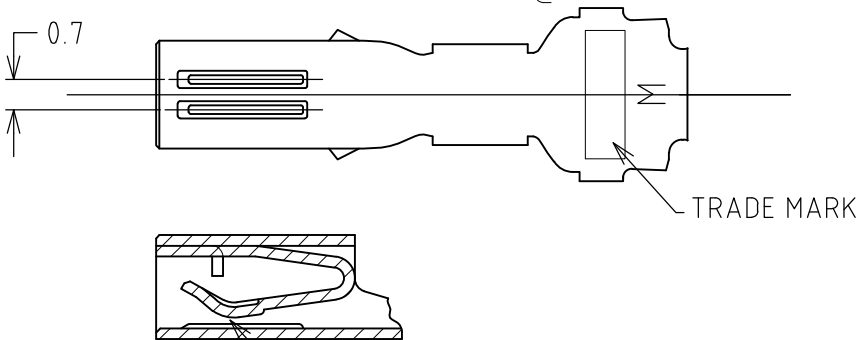
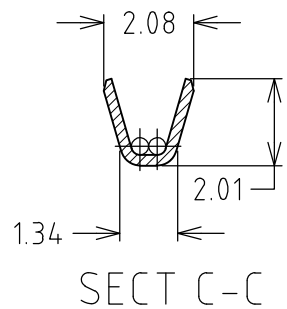
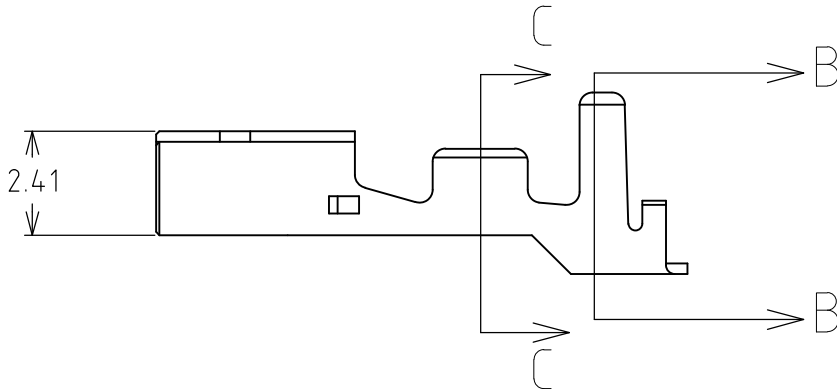
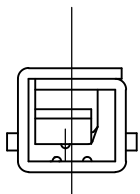
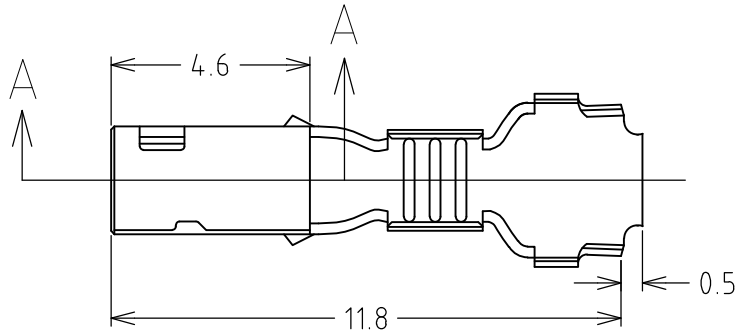


| REVISIONS |     |                       |          |      |
|-----------|-----|-----------------------|----------|------|
| P         | LTR | DESCRIPTION           | DATE     | APVD |
|           | B2  | REVISED ECO-17-007276 | 24MAY'17 | DZ   |



LUBRICANT AREA AND PERMISSIBLE  
OUTSIDE THIS AREA ONLY FOR 1376348-2

SECT A-A

SECT B-B


|                               |                |                |
|-------------------------------|----------------|----------------|
| AWG#24~#20<br>(0.22~0.53mmsq) | 1.7~2.7        | 1376348-2      |
| AWG#24~#20<br>(0.22~0.53mmsq) | 1.7~2.7        | 1376348-1      |
| WIER RANGE                    | INSULATION DIA | 型番<br>PART NO. |

RELEASED FOR PUBLICATION

ALL RIGHTS RESERVED.

THIS DRAWING IS UNPUBLISHED.

© COPYRIGHT - TE Connectivity

|  |                              |  |                    |
|--|------------------------------|--|--------------------|
| DIMENSIONS:<br>mm  | DWN<br>M.SUZUKI<br>16MAY2008 | MATERIAL<br>PRE-TIN COPPER ALLOY   | FINISH<br>TIN      |
|  | CHK<br>S.MANABE<br>19MAY08   |  TE Connectivity |                    |
| TOLERANCES UNLESS OTHERWISE SPECIFIED:                               | APVD<br>S.MANABE<br>19MAY08  |  |                    |
| 0 PLC ±<br>1 PLC ±<br>2 PLC ±<br>3 PLC ±<br>4 PLC ±<br>ANGLES ± 2DEG | PRODUCT SPEC<br>108-5699     | SIZE<br>A4   | CAGE CODE<br>00779 |
|  | APPLICATION SPEC<br>114-5292 | DRAWING NO<br>C-1376348  | RESTRICTED TO<br>- |
|  | WEIGHT<br>0.000000           | CUSTOMER DRAWING   |                    |
|  |                              | SCALE<br>6:1   | SHEET<br>1 OF 1    |
|  |                              |  | REV<br>B2          |