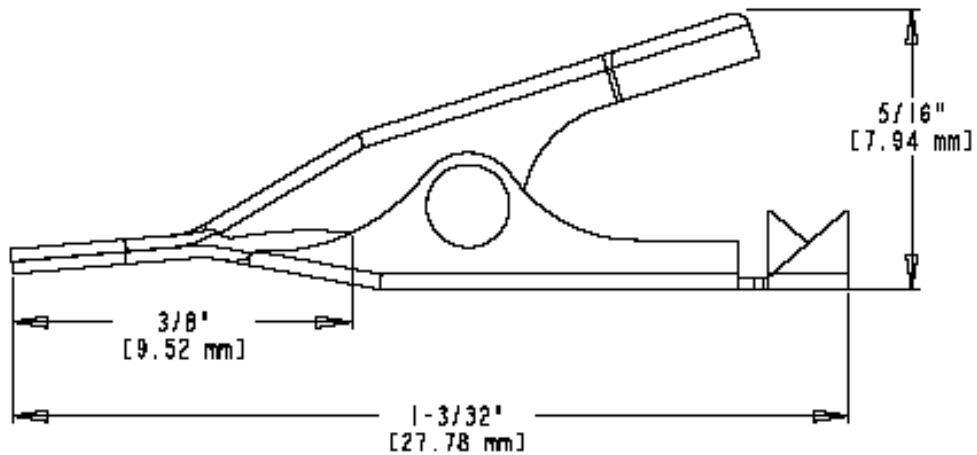
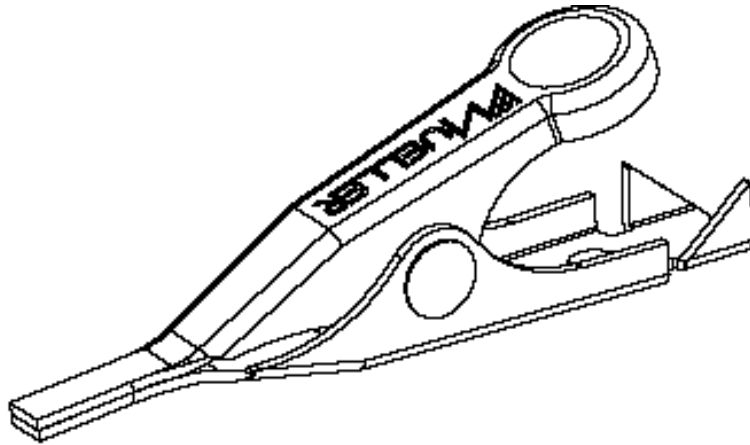




Part Number: BU-34/BU-34C
Description: Micro-Alligator
3107



- Micro-Alligator
- Solder or crimp connection
- Jaw opens 0.22" (5.6 mm) max
- Material: nickel-plated steel (BU-34) or solid copper (BU-34C)
- Length: 1.09" (27.78 mm)
- Rating: 5 Amps
- RoHS Compliant

Mouser Electronics

Authorized Distributor

Click to View Pricing, Inventory, Delivery & Lifecycle Information:

[Mueller Electric:](#)

[BU-34C](#)