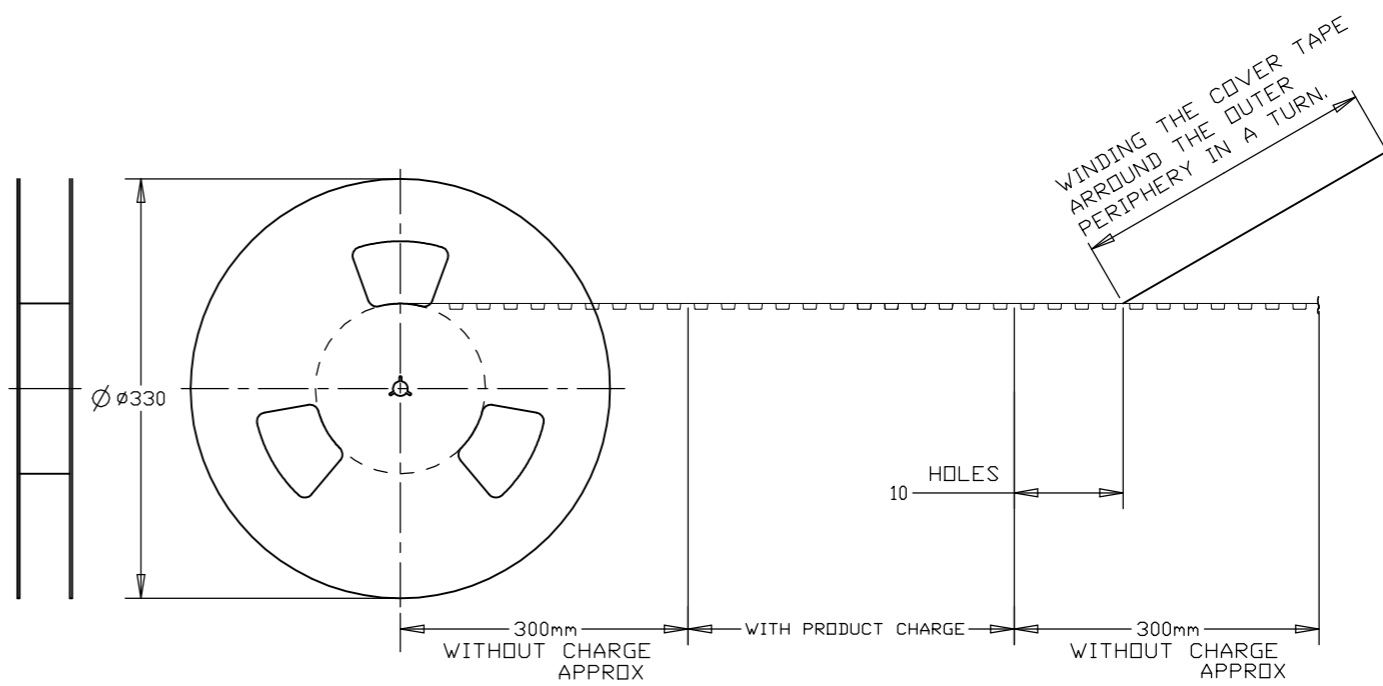
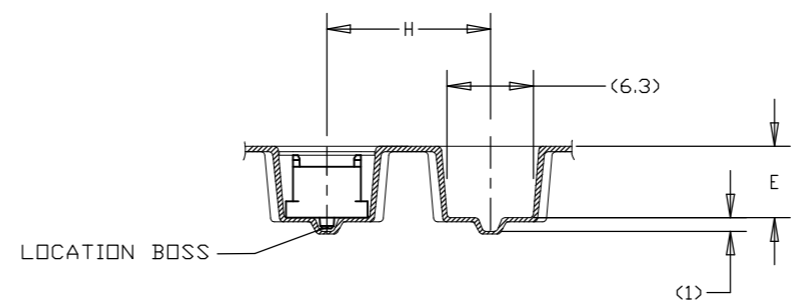
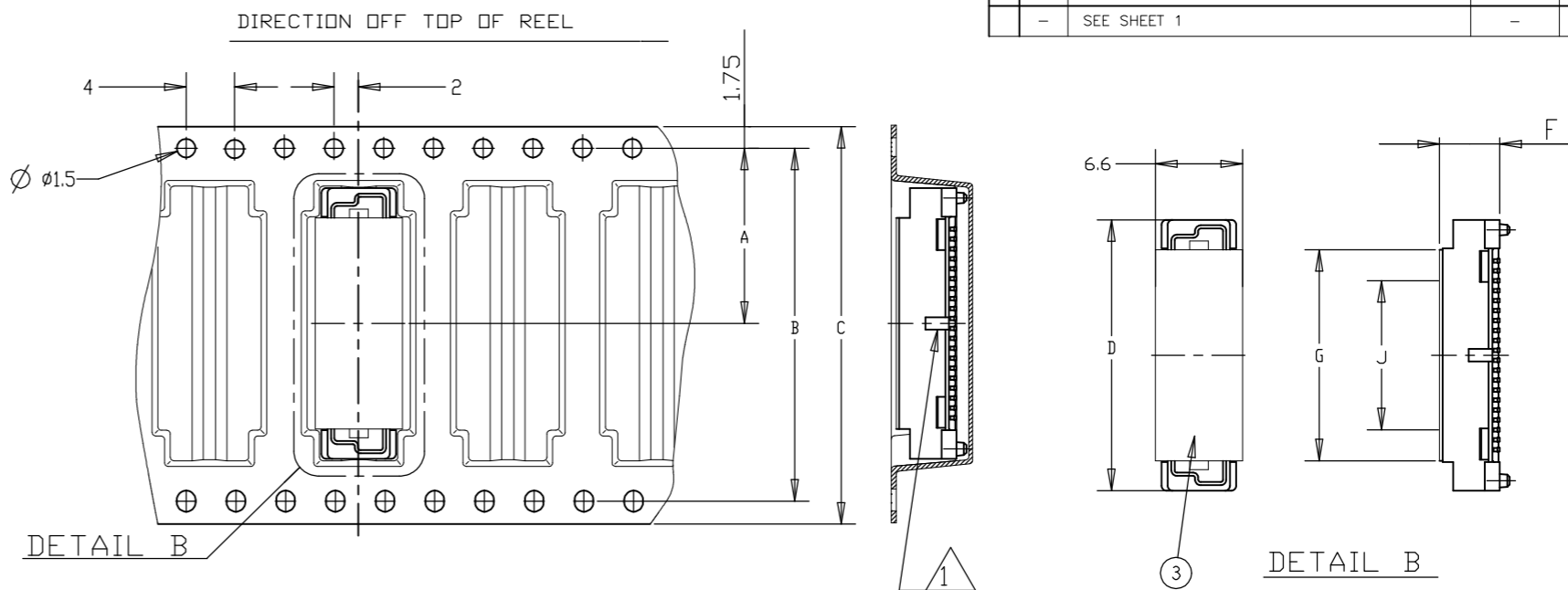


THIS DRAWING IS UNPUBLISHED. RELEASED FOR PUBLICATION
 © COPYRIGHT - TE Connectivity ALL RIGHTS RESERVED.

LOW HALOGEN

| REVISIONS | | | | |
|-----------|-----|-------------|------|------|
| P | LTR | DESCRIPTION | DATE | APVD |
| - | - | SEE SHEET 1 | - | - |

Notes:
 6 0.0002 MIN GOLD PLATING
 (7.8u INCHES GOLD PLATING)

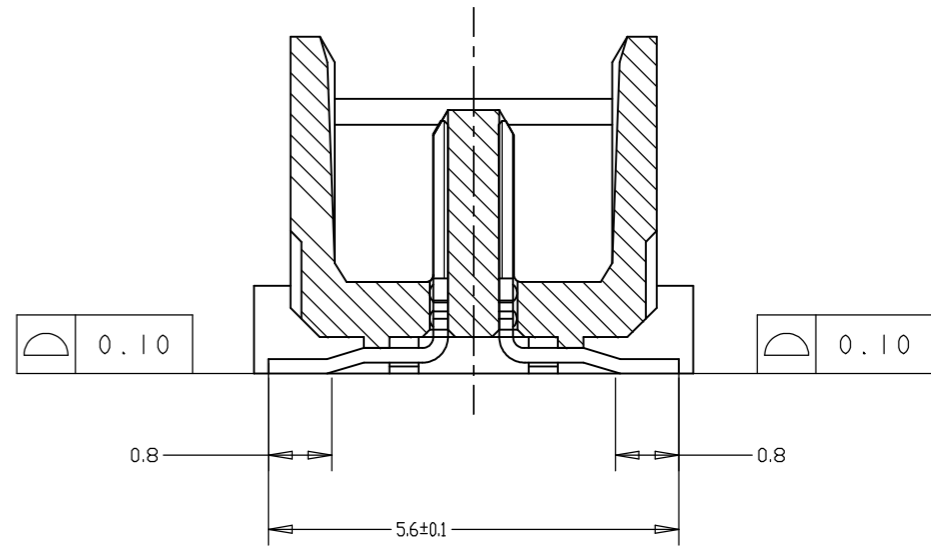
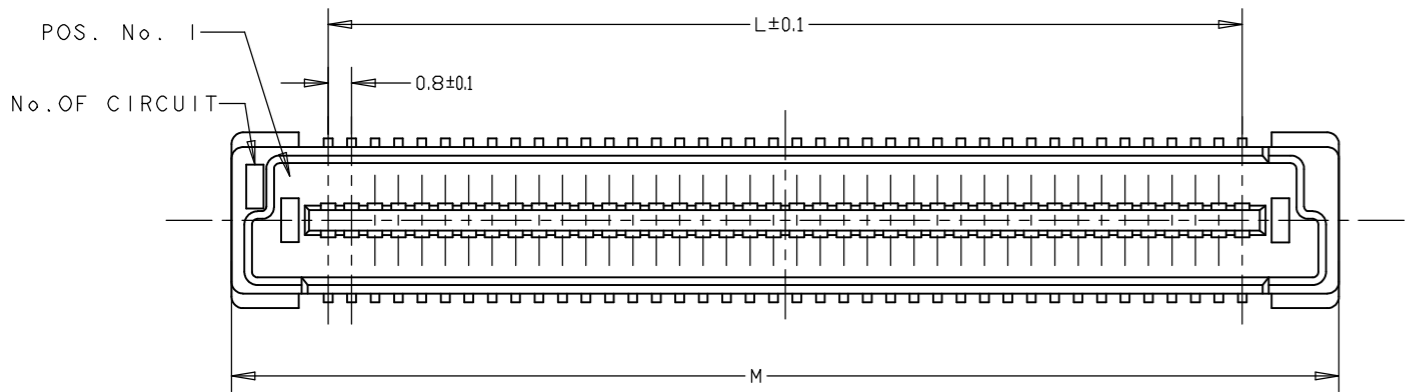


POLYIMIDE COVER

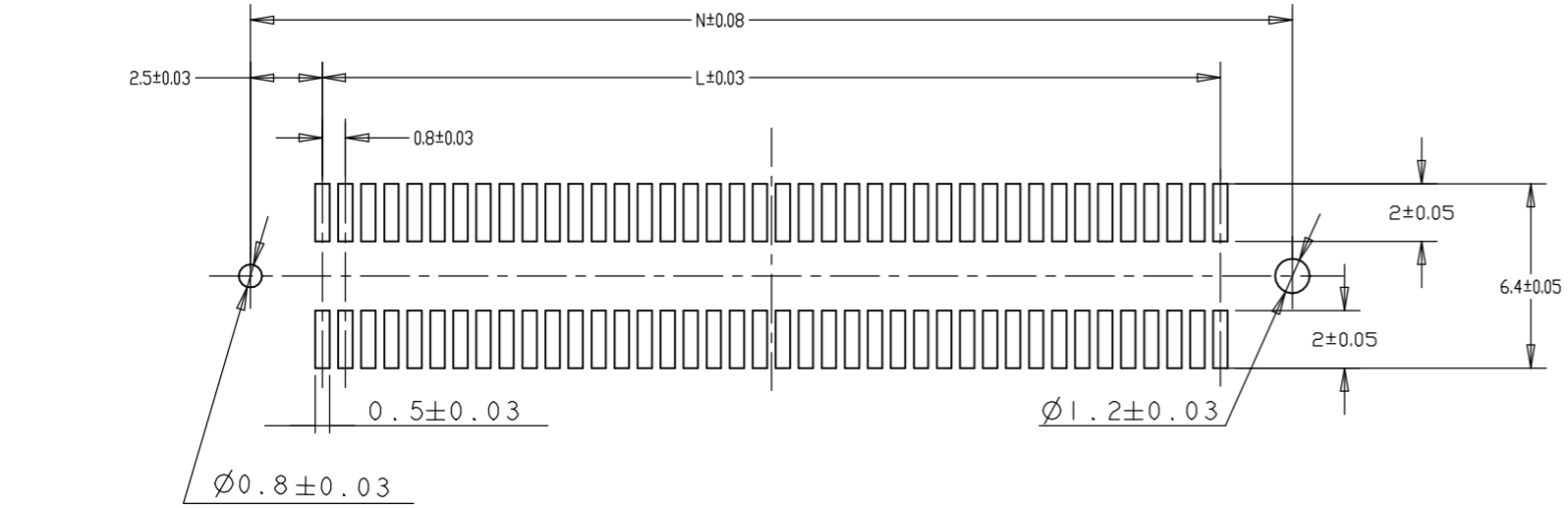
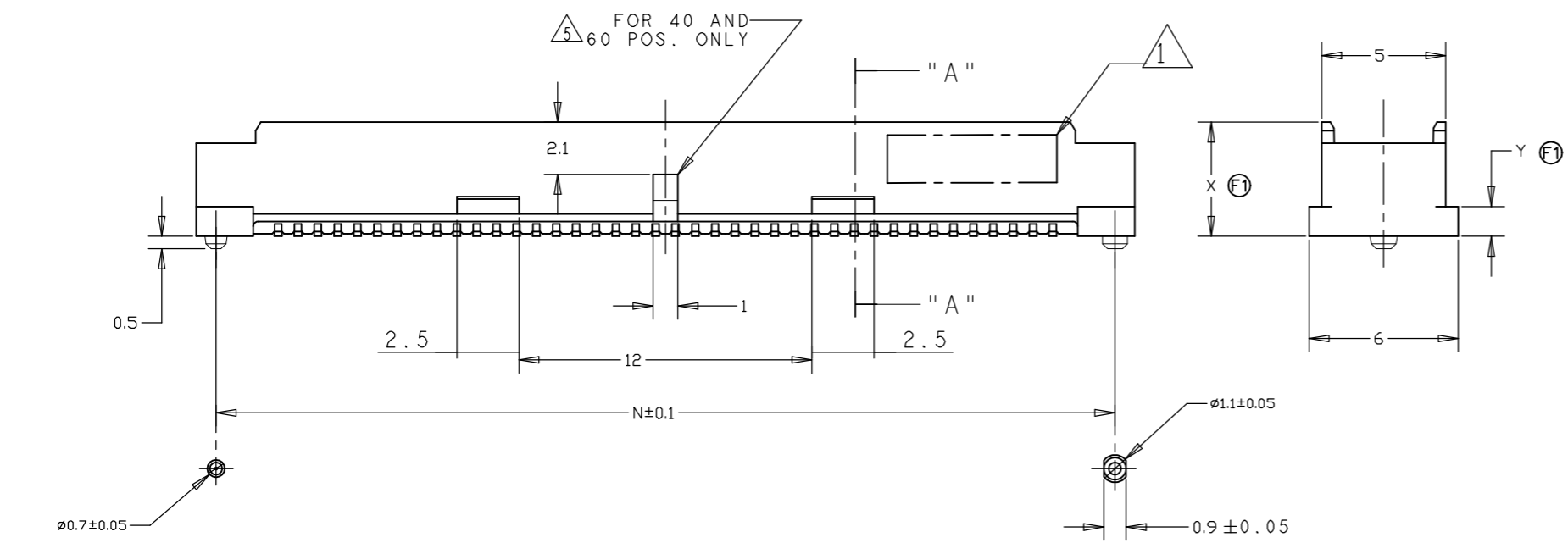
| REMARKS | QTY | HEIGHT TYPE | J | H | G | F | E | D | C | B | A | POS | SALEABLE PART NO. |
|---------|-----|-------------|----|----|----|------|------|------|----|------|------|-----|-------------------|
| | 650 | 5H | 12 | 16 | 17 | 4.85 | 5.25 | 61.8 | 88 | 84.4 | 42.2 | 140 | 9-5177986-6 |

| | | | | |
|--|--|-------------------------------|---|-----------|
| THIS DRAWING IS A CONTROLLED DOCUMENT. | | DWN 30AUG2004 FLORENCE TAN | | |
| DIMENSIONS: mm | | CHK 30MAY2012 ERIC TNG | | |
| TOLERANCES UNLESS OTHERWISE SPECIFIED: | | APVD 30MAY2012 SF LEONG | NAME | |
| 0 PLC ± - | | PRODUCT SPEC | PLUG ASSEMBLY, FH 0.8 ON TAPING (EMBOSS) 0.5 BOSS LENGTH | |
| 1 PLC ± 0.2 | | APPLICATION SPEC | SIZE | CAGE CODE |
| 2 PLC ± 0.15 | | WEIGHT 0 | A2 | 00779 |
| 3 PLC ± 0.1 | | CUSTOMER DRAWING | C=5177986 | |
| 4 PLC ± - | | SCALE 1:1 | SHEET 2 of 3 | REV F1 |
| ANGLES ± - | | | | |
| FINISH - | | | | |

| REVISIONS | | | | |
|-----------|-----|-------------|------|------|
| P | LTR | DESCRIPTION | DATE | APVD |
| - | - | SEE SHEET 1 | - | - |



SECT. "A" - "A"



RECOMMENDED P.C. BOARD LAYOUT

LOW HALOGEN

CONNECTOR ONLY

| | | | |
|------|------|------|------|
| 84.2 | 85.8 | 79.2 | 200 |
| 76.2 | 77.8 | 71.2 | 180 |
| 68.2 | 69.8 | 63.2 | 160 |
| 60.2 | 61.8 | 55.2 | 140 |
| 52.2 | 53.8 | 47.2 | 120 |
| 44.2 | 45.8 | 39.2 | 100 |
| 36.2 | 37.8 | 31.2 | 80 |
| 28.2 | 29.8 | 23.2 | 60 |
| 20.2 | 21.8 | 15.2 | 40 |
| N | M | L | POS. |

| | | | | |
|--|--|----------------------------------|---|-----------|
| THIS DRAWING IS A CONTROLLED DOCUMENT. | | DWN FLORENCE TAN 30AUG2004 | | |
| DIMENSIONS: mm | | CHK ERIC TNG 30MAY2012 | | |
| TOLERANCES UNLESS OTHERWISE SPECIFIED: | | APVD SF LEONG 30MAY2012 | NAME | |
| 0 PLC ± - | | PRODUCT SPEC | PLUG ASSEMBLY, FH 0.8 ON TAPING (EMBOSS) 0.5 BOSS LENGTH | |
| 1 PLC ± 0.2 | | APPLICATION SPEC | RESTRICTED TO | |
| 2 PLC ± 0.15 | | WEIGHT | SIZE | CAGE CODE |
| 3 PLC ± 0.1 | | 0 | A2 | 00779 |
| 4 PLC ± - | | CUSTOMER DRAWING | DRAWING NO. C=5177986 | |
| ANGLES ± - | | SCALE | 1:1 | |
| FINISH | | SHEET | | 3 of 3 |
| - | | REV | | F1 |

5177986

Mouser Electronics

Authorized Distributor

Click to View Pricing, Inventory, Delivery & Lifecycle Information:

[TE Connectivity:](#)

[7-5177986-4](#)