

1 2 3 4 5 6

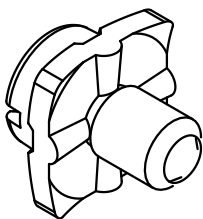
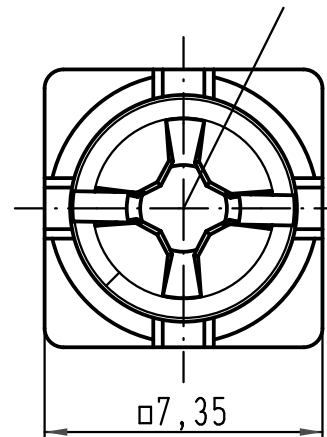
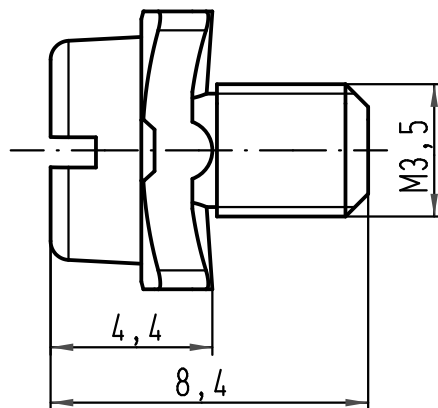
A



B

C

D

Kreuzschlitz/cross recess
DIN EN 4757-H1



 All Dimensions in mm Original Size DIN A 4		Techn. Character.			Nicht tolerierte Maße/Free size tolerances	
			Dat.	Name	Maßstab/Scale 5:1	PE-Kombischraube M3,5/ PE multiple screw M3,5
			Detail.	26.02.09 Ho		
			Insp.	Sch		
			Stand.			
A			HARTING Electric GmbH & Co. KG		 TB 09 20 000 9919	Blatt/page /
Mod.	Dat.	Name	D-32339 Espelkamp			

Mouser Electronics

Authorized Distributor

Click to View Pricing, Inventory, Delivery & Lifecycle Information:

[HARTING:](#)

[09200009919](#)