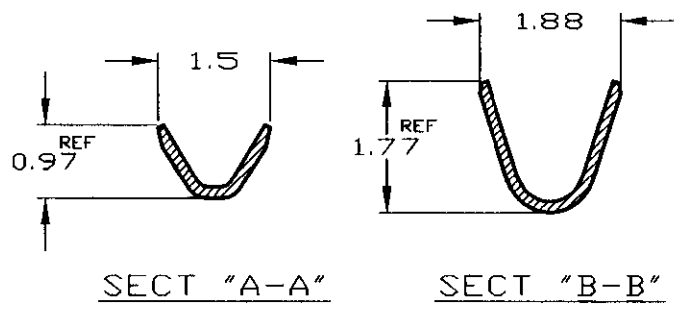
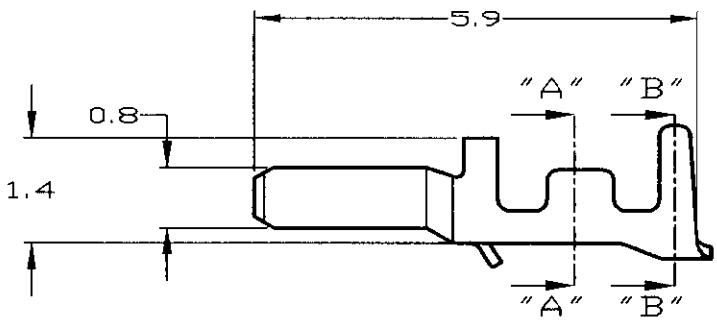
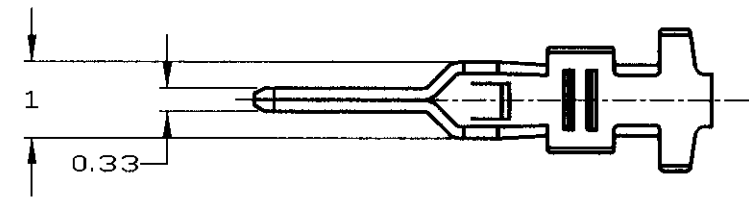


NUMBER 917571



METRIC



- 注記
- 製品規格;108-5505.
 - 取付適用規格;114-5212

- NOTES
- PRODUCT SPECIFICATION;108-5505.
 - APPLICATION SPECIFICATION;114-5212.

ALL DIMENSIONS IN MM. DO NOT SCALE. PRINT

| | |
|--|------------|
| 仕様 1.27μm以上のNi下地めっきの上に接触部0.2μm以上のAuめっき、その他Auフラッシュ BRASS FINISH UNDER Ni 1.27μm MIN, CONTACT AREA Au 0.2μm MIN, OTHER Au FLASH | 917571-4 |
| 銅めっき済み黄銅 PRE-TIN BRASS | 917571-1 |
| 材質/仕上げ MATERIAL/FINISH | AMP 型番 P/N |

Copyright ©1995 Tyco Electronics AMP K.K.
Copyright ©1995 Tyco Electronics AMP K.K. ALL RIGHTS RESERVED.



| | | |
|--------------------------|---|---------------------------------------|
| 一般公差 (GENERAL TOLERANCE) | 絶合電線断面積 (WIRE RANGE) 0.055-0.141 mm ² (AWG30 - 26) | 被覆外径 (INSULATION DIA.) 0.70-0.98 mm φ |
| 10% ±0.2 | 材料 (MATERIAL) SEE TABLE | 社名 (FINISH) SEE TABLE |
| 30% ±0.25 | | |
| 30% ±0.3 | | |

| | | | | | | | | | |
|------|----------------------------|----------|----------------------|---|-----------|----------|--------|-------|--------|
| A | 変更 (FJ00-2161-99) REVISED | Y.K.I.H. | 4-14-99 | | | | | | |
| O | 制定 (FJ00-2793-95) RELEASED | Y.K.I.H. | 03 JUL '95 | 尺貫 (SCALE) | LOC | 番付 (No.) | REV. | SHEET | |
| LTR | 変更 (REVISION RECORD) | DR | CHK | DATE | 10-1 A4 | J | 917571 | A | 1 OF 1 |
| DR. | Y.KATO 30/JUN/95 | DE. | Y.KATO 30/JUN/95 | 名称 (NAME) | ポスト コンタクト | | | | |
| CHK. | I.HASEGAWA 03/JUL/95 | APP. | I.HASEGAWA 03/JUL/95 | MINI VP 1.5mm WIRE TO BOARD コネクタ | | | | | |
| | | | | POST CNT. , MINI VP 1.5mm WIRE TO BOARD CONN. | | | | | |

AMP-J010-1C REV.3/93

(CUSTOMER DRAWING) 参考図面

00/06/30 10:19

Mouser Electronics

Authorized Distributor

Click to View Pricing, Inventory, Delivery & Lifecycle Information:

[TE Connectivity:](#)

[917571-1](#)